

Locating Screw Stopper Blocks

L-Shaped Type



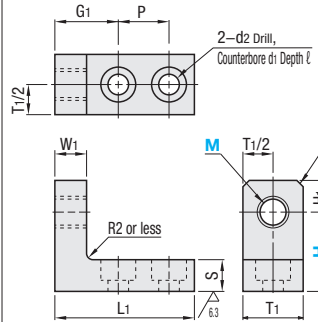
RoHS 10

Type		M	S
Lengthways Adjustable Type	Widthways Adjustable Type	Bottom Mounting Type*	
Coarse	Fine	Coarse	Fine
AJLTT	AJLSTT	AJLCTY	AJLCSTY
AJLTM	AJLSTM	AJLCTYM	AJLCSTYM
AJLTS	AJLSTS	AJLCTYS	AJLCSTYS
		AJLN	AJLS
		AJLNM	AJLSM
		AJLNS	AJLSS

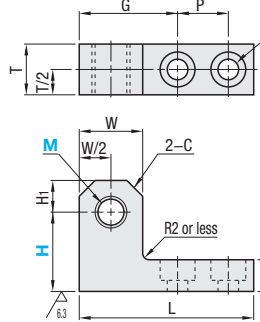
*SS400 for Bottom Mounting Type

25 / (✓ 6.3 /)

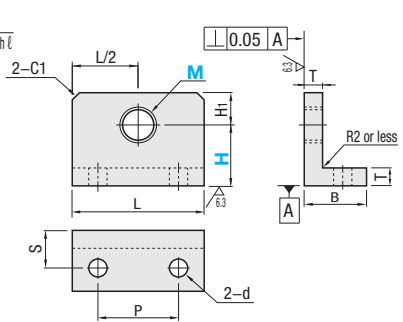
Lengthways Adjustable Type



Widthways Adjustable Type



Bottom Mounting Type



Lengthways Adjustable Type

Part Number	Type	M	H Selection	H1	T1	MxPitch		W1	L1	P	S	d1	d2	ℓ	G1
						Coarse	Fine								
(Coarse) AJLTT AJLTM AJLTS	(Fine) AJLSTT AJLSTM AJLSTS	3	15 20	4	9	3x0.5	3x0.35	5	25	10	6	6.5	3.5	3.5	10
		4				4x0.7	4x0.5								
		5	15 20	6	12	5x0.8	5x0.5	8	32	10	8	8	4.5	4.5	15
		6				6x1.0	6x0.75								
		8				8x1.25	8x0.75								
		10	25 30 35	10	22	10x1.5	10x1.0	10	44	16	10	11	6.5	6.5	20
		12				12x1.75	12x1.0								
		16				16x2.0	16x1.5								
		20	35 40	15	30	20x2.5	20x1.5	15	65	30	15	14	9	9	25

Widthways Adjustable Type

Part Number	Type	M	H Selection	H1	T	MxPitch		L	W	P	S	d1	d2	ℓ	C	G
						Coarse	Fine									
(Coarse) AJLCTY AJLCTYM AJLCTYS	(Fine) AJLCSTY AJLCSTYM AJLCSTYS	3	10 15	4	9	3x0.5	3x0.35	28	8	10	6	6.5	3.5	3.5	2	13
		4				4x0.7	4x0.5									
		5	15 20	6	10	5x0.8	5x0.5	32	10	10	8	8	4.5	4.5	2	17
		6				6x1.0	6x0.75									
		8				8x1.25	8x0.75									
		10	20 25 30	10	16	10x1.5	10x1.0	55	20	16	10	11	6.5	6.5	5	31
		12				12x1.75	12x1.0									
		16				16x2.0	16x1.5									
		20	30 35 40	15	19	20x2.5	20x1.5	75	30	20	15	14	9	9	7	45

Bottom Mounting Type

Part Number	Type	M	H Selection	H1	T	MxPitch		L	B	P	S	d
						Coarse	Fine					
AJLN AJLS AJLNM AJLSM AJLNS AJLSS		3	15 20	10	6	3x0.5	3x0.35	30	20	14	12	4.5
		4	15 20			4x0.7	4x0.5					
		5	15 20 25			5x0.8	5x0.5					
		6	15 20 25 30			6x1.0	6x0.75					
		8	25 30 40			8x1.25	8x0.75					
		10	25 30 40			10x1.5	10x1.0					
		12	25 30 40			12x1.75	12x1.0					
		16	30 40 50			16x2.0	16x1.5					
		20	30 40 50			20x2.5	20x1.5					

*T dimension of AJLNS and AJLSS (Material: Stainless Steel) is shown in (). M16 and 20 is not available.



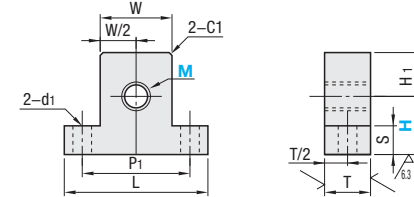
T-Shaped Type



RoHS 10

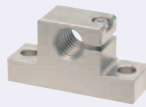
Type		M	S
Coarse	Fine		
AJTN	AJTS	SS400	Black Oxide
AJTNM	AJTSM		Electroless Nickel Plating
AJTNS	AJTSS	SUS304	-

25 / (✓ 6.3 /)



Part Number	Type	M	H Selection	H1	T	MxPitch		L	W	P1	S	d1		
						Coarse	Fine							
AJTN AJTNM AJTNS AJTS AJTSM AJTSS			10	10	10	3x0.5	3x0.35	32	16	24	5	4.5		
						4	15 20						4x0.7	4x0.5
						5	15 20						5x0.8	5x0.5
						6	20 25 30						6x1.0	6x0.75
						8	20 25 30						8x1.25	8x0.75
						10	20 25 30						10x1.5	10x1.0
			15	16	16	12x1.75	12x1.0	50	25	38	10	6.5		
						12	20 25 30						12x1.75	12x1.0
						16	25 30 40						16x2.0	16x1.5
						20	25 30 40						20x2.5	20x1.5

T-Shaped Slit Type

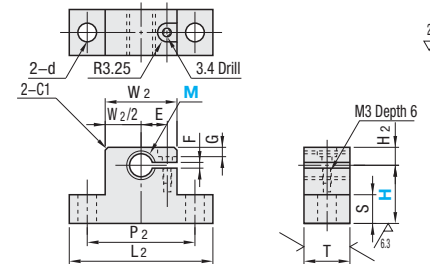


RoHS 10

Type		M	S
Coarse	Fine		
AJTWN	AJTWS	SS400	Black Oxide
AJTWNM	AJTWSM		Electroless Nickel Plating

T-Shaped Slit Type can fix adjusting screws without using nuts.

25 / (✓ 6.3 /)



Part Number	Type	M	H Selection	H2	T	MxPitch		L2	W2	P2	S	d	E	F	G		
						Coarse	Fine										
AJTWN AJTWS AJTWNM AJTWSM			3.5	10	10	5x0.8	5x0.5	32	16	24	5	4.5	5	1	1		
						6	20 25 30									6x1.0	6x0.75
						8	20 25 30									8x1.25	8x0.75
						10	20 25 30									10x1.5	10x1.0
						12	20 25 30									12x1.75	12x1.0
						16	20 25 30									16x2.0	16x1.5

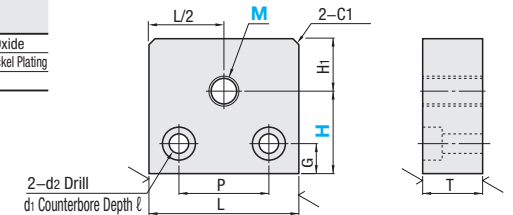
Side Counterbore Type



RoHS 10

Type		M	S
Coarse	Fine		
AJFNM	AJFNS	SS400	Black Oxide
AJFNM	AJFNS		Electroless Nickel Plating
AJFNS	AJFSS	SUS304	-

25 / (✓ 6.3 /)



Part Number	Type	M	H Selection	H1	T	MxPitch		L	P	d1	d2	ℓ	G		
						Coarse	Fine								
AJFNM AJFNS AJFNM AJFNS AJFNS AJFSS			10	10	10	3x0.5	3x0.35	32	20	8	4.5	4.5	5		
						4	15 20							4x0.7	4x0.5
						5	15 20							5x0.8	5x0.5
						6	20 25 35							6x1.0	6x0.75
						8	35 40 50							8x1.25	8x0.75
						10	35 40 50							10x1.5	10x1.0
						12	35 40 50							12x1.75	12x1.0
						16	40 50							16x2.0	16x1.5
						20	40 50							20x2.5	20x1.5

*L dimension of AJFNS and AJFSS (Material: Stainless Steel) is shown in ().

