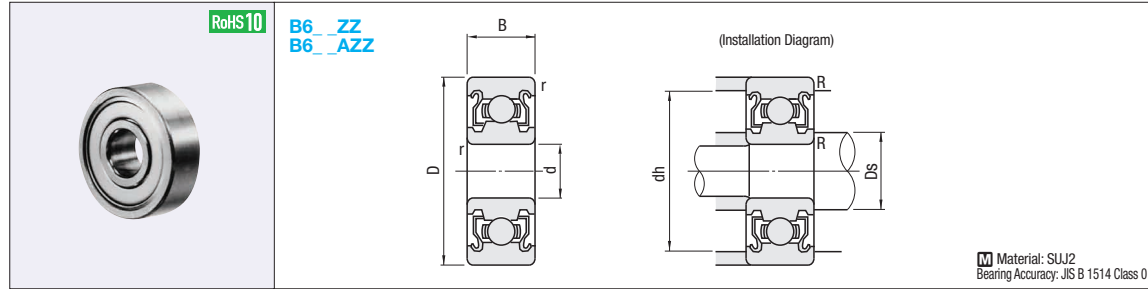


Small Deep Groove Ball Bearings

Double Shielded



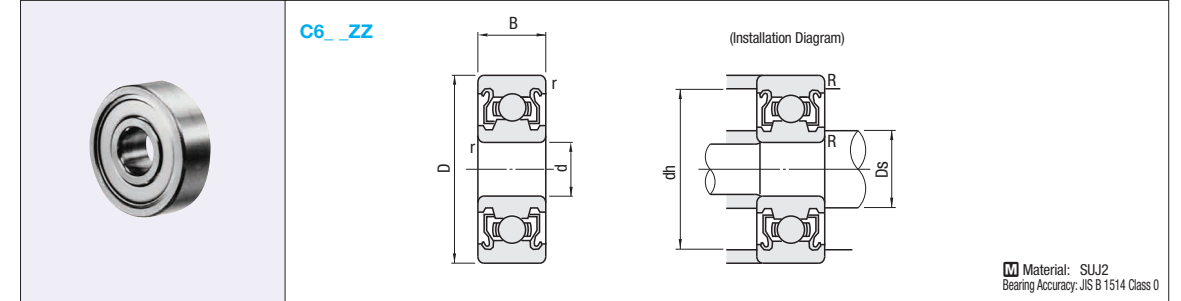
Part Number	d	D	B	r (min)	Basic Load Rating		Allowable Rotational Speed rpm (Reference)	Relative Dimensions			Mass (g) (Reference)
					Cr (Dynamic) N	Cor (Static) N		Ds (min)	dh (max)	R (max)	
B682ZZ	2	5	2.3	0.08	169	50	85000	2.7	3.9	0.08	0.17
B692ZZ		6	3.0	0.15	330	98	75000	3.0	4.8	0.15	0.38
B602ZZ		7	3.5		385	127	60000	3.2	5.8		0.58
B682AZZ	2.5	6	2.6	0.08	208	74	71000	3.7	4.9	0.08	0.29
B692AZZ		7	3.5	0.15	385	127	63000	3.85	5.65	0.15	0.55
B673ZZ		6	2.5	0.1	208	74	71000	3.6	5.4	0.08	0.2
B683ZZ	7	3	390		130	63000	3.9	5.8	0.1	0.45	
B693ZZ	3	8	4	0.15	560	179	60000	4.2	7.8	0.15	0.83
B603ZZ		9	5		570	187	56000				6.8
B623ZZ		10	4	630	218	50000	8.8	1.66			
B633ZZ	4	13	5	0.2	1300	485	40000	4.6	11.4	0.2	3.33
B674ZZ		7	2.5	0.1	222	88	60000	6.4	0.08	0.29	0.29
B684ZZ		9	4		640	224	53000	5.0	7.8	0.1	1.01
B694ZZ	11	715		276	48000	5.2	9.8	0.15	1.75		
B604ZZ	12	957		350		5.6	10.4	0.2	2.29		
B624ZZ	13	485	40000	5.6	11.4	0.2	3.04				
B634ZZ	5	16	5	0.3	1340	523	36000	6	14	0.3	5.21
B675ZZ		8	2.5	0.1	218	131	53000	5.8	7.4	0.1	0.34
B685ZZ		11	5	0.15	715	281	45000	6.2	9.8	0.2	1.96
B695ZZ	13	4	1080	430	43000	11.4	2.5				
B605ZZ	14	5	1330	505	40000	12.4	3.48				
B625ZZ	16		1730	670	36000	14	0.3	4.86			
B635ZZ	19	6	2336	835	32000	17	8.34				
B676ZZ	6	10	3	0.1	495	218	45000	7.04	9.3	0.1	0.68
B686ZZ		13	5	0.15	1080	440	40000	7.0	11.8	0.15	2.69
B696ZZ		15		0.2	1350	530		7.6	13.4	0.2	3.72
B606ZZ	8	17	6	0.3	2190	835	38000	15	0.3	6.08	
B626ZZ		19			2340	885	32000	17		7.94	
B636ZZ		22	7	3333	1423	30000	20	14.5			
B678ZZ	8	12	3.5	0.1	543	274	40000	9.05	11.33	0.1	0.97
B688ZZ		16	5	0.2	1610	710	36000	9.6	14.4	0.2	4.02
B698ZZ		19	6	0.3	1990	865		17	7.18		
B608ZZ	22	7	3350		1400	34000	20	12			
B628ZZ	24	8	4000	1590	28000	22	17				
B638ZZ	28	9	4563	1983		26	30.3				

Ordering Example Part Number B626ZZ

Small Deep Groove Ball Bearings (Economy)

Double Shielded

Feature: Economical Small Deep Groove Ball Bearings made by overseas manufacturers.



Part Number	d	D	B	r (min)	Basic Load Rating		Allowable Rotational Speed rpm (Reference)	Relative Dimensions			Mass (g) (Reference)
					Cr (Dynamic) N	Cor (Static) N		Ds (min)	dh (max)	R (max)	
C693ZZ	3	8	4	0.15	560	180	54000	4.2	6.8	0.15	0.61
C694ZZ	4	11	5		715	276	45000	5.2	9.8		2
C624ZZ		13		0.2	1310	490	42000	5.6	11.4	0.2	3.5
C685ZZ	5	11	4	0.15	715	282	43000	6.2	9.8	0.15	1.1
C695ZZ		13		0.2	1080	430	40000	6.6	11.4	0.2	2.4
C625ZZ		16	0.3	1760	680	37000	7	14	0.3	4.8	
C686ZZ	6	13	5	0.15	1080	440	39000	7.6	13.4	0.2	3.8
C696ZZ		15		0.2	1350	530	37000				
C606ZZ	8	17	6	0.3	2190	865	35000	8	15	0.3	6
C626ZZ		19			2340	885	34000				17
C688ZZ		16	5	0.2	1610	715	35000	9.6	14.4	0.2	3.1
C698ZZ	8	19	6	0.3	1990	865	33000	10	17	0.3	7.3
C608ZZ		22			7	3300	1370				32000
C628ZZ		24	8	4000	1590	31000	22	17			

Ordering Example Part Number C608ZZ

<Why Economy Type is recommended>

Economy Type is also in high quality.
Causes for bearing problems can be detected by performing Anderson Inspection. Economy Type shows equivalent actual Anderson values in comparison with our Standard products.

What is Anderson Inspection?
This inspection measures the bearing's rotational vibrations in (L, H, M) frequency spectra to determine the bearing's performance. The inspection is used on all the finished bearings produced by domestic manufacturers, serving the purpose of removing bearing initial defects.

Anderson Value Comparison of Current MISUMI Standard Products and Current Economy Type

Lower value indicates higher product integrity.

MISUMI's Economy Type Bearings are all subject to Anderson Inspection.

For details of Economy Type, see P873