

Floating Joints - Quick Connection Type

Cylinder Connector and Holder Set

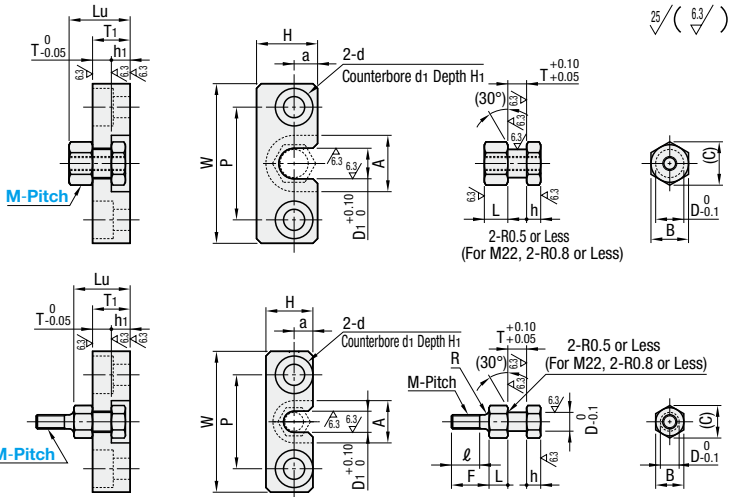
Feature: A set of Connector (FJR / FJD) and Holder (HLRA) for Floating Joints Quick Connection Type is available for easy selection.

RoHS10

Type		Holder Shape	Material	Surface Treatment	Hardness
Tapped	Threaded				
FJRHA	FJDHA	Side Mount (HLRA)	S45C Equivalent	Salt-bath Nitriding	500HV~

FJRHA

FJDHA



- Salt-bath Nitriding may cause uneven color, which doesn't affect mechanical function.
- For details of "Salt-bath Nitriding", see P.1793.

Tapped Type

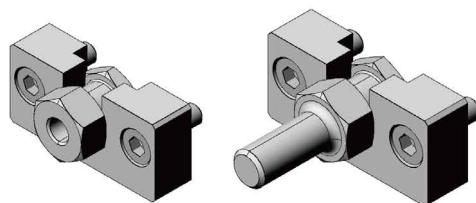
Part Number	Cylinder Connector								Holder										
	Type	M-Pitch	T	D	L	h	B	C	D1	A	T1	h1	W	H	a	P	d	d1	H1
FJRHA	3-0.5	4	6	5	3	8	9.2	6.5	12	8	4	34	13	5	24	4.5	8.0	4.4	13
	4-0.7	4	7	6	3	10	11.5	8	14	8	4	36	15	6	26	4.5	8.0	4.4	14
	5-0.8	6	8	7	3	12	13.9	9	17	10	4	42	18	7	30	5.5	9.5	5.4	17
	6-1.0	6	10	8	4	14	16.2	11	19	11	5	44	20	8	32	5.5	9.5	5.4	19
	8-1.25	8	13	9	4	17	19.6	14	23	13	5	52	24	10	38	6.6	11.0	6.5	22
	10-1.25	8	16	11	4	21	24.2	18	28	13	5	56	30	12	42	6.6	11.0	6.5	24
	14-1.5	12	21	13	4	26	30.0	23	34	17	5	70	36	15	52	9	14.0	8.6	30
	18-1.5	15	25	15	5	30	34.6	27	38	21	6	84	43	19	62	11	17.0	10.5	36

Threaded Type

Part Number	Cylinder Connector								Holder													
	Type	M-Pitch	T	D	L	h	F	ℓ	B	C	R	D1	A	T1	h1	W	H	a	P	d	d1	H1
FJDHA	3-0.5	4	4	4	3	8	6	6	6.9	1.0	4.5	9	8	4	30	10	4	20	4.5	8.0	4.4	12
	4-0.7	4	4	5	3	11	9	6	6.9	1.0	4.5	9	8	4	30	10	4	20	4.5	8.0	4.4	13
	5-0.8	4	6	5	3	13	11	8	9.2	1.0	6.5	12	8	4	34	13	5	24	4.5	8.0	4.4	13
	6-1.0	4	7	6	3	19	17	10	11.5	1.5	8	14	8	4	36	15	6	26	4.5	8.0	4.4	14
	8-1.25	6	10	8	4	20	18	14	16.2	1.5	11	19	11	5	44	20	8	32	5.5	9.5	5.4	19

Ordering Example
 Part Number
 FJRHA5-0.8
 FJDHA10-1.5

Example
 The combination shown below is available on the website. For details of selections, see P.81
 * Enter a number in the search box on e-Catalog. The search result will be shown in "Modular Assembler" area on the right-hand side of the screen.
 e-Catalog Search Number #MA1 Search #MA4 Search

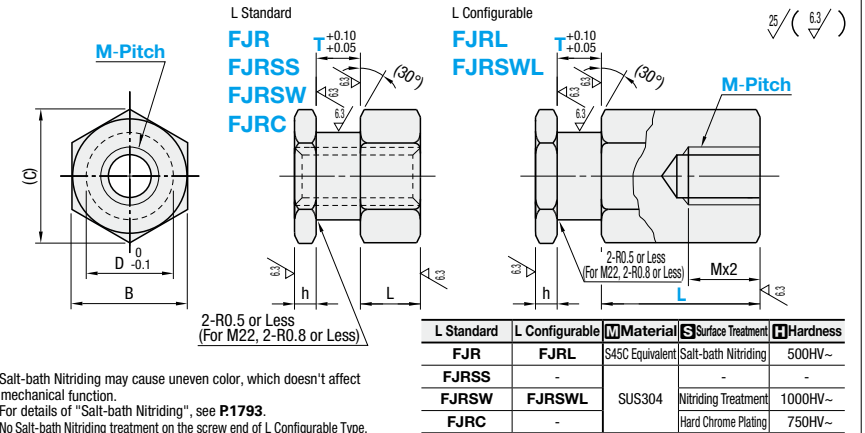


Floating Joints - Quick Connection Type

Tapped Type

Surface treatment of SUS304 has changed from Salt-bath Nitriding to Nitriding treatment. Better corrosion resistance and hardness, less particle generation on the surface than the conventional products.

RoHS10



- Salt-bath Nitriding may cause uneven color, which doesn't affect mechanical function.
- For details of "Salt-bath Nitriding", see P.1793.
- No Salt-bath Nitriding treatment on the screw end of L Configurable Type.

L Standard	L Configurable	Material	Surface Treatment	Hardness
FJR	FJRL	S45C Equivalent	Salt-bath Nitriding	500HV~
FJRSS	-	-	-	-
FJRSW	FJRSL	SUS304	Nitriding Treatment	1000HV~
FJRC	-	-	Hard Chrome Plating	750HV~

Part Number	Type	M-Pitch	T	L		h	D	B	C
				L Fixed	L Configurable (1mm Increment)				
L Fixed FJR FJRSS (Only * marked T dimensions are selectable.)	3-0.5	2	3, 4, 5, 6	5	3~50	3	6	8	9.2
	4-0.7	2	3, 4, 5, 6, 8	6	3~60	3	7	10	11.5
	5-0.8	3	4, 5, 6, 8, 9, 10	7	3~60	3	8	12	13.9
	6-1.0	3	4, 5, 6, 8, 9, 10, 12	8	4~80	3	10	14	16.2
	8-1.0	4	5, 6, 8, 9, 10, 12, 13, 15, 16	9	4~100	3	13	17	19.6
	8-1.25	4	5, 6, 8, 9, 10, 12, 13, 15, 16, 19, 20	11	4~100	4	16	21	24.2
	10-1.25	5	6, 8, 9, 10, 12, 13, 15, 16, 19, 20	12	5~100	4	18	23	26.6
	12-1.25	5	6, 8, 9, 10, 12, 13, 15, 16, 19, 20	13	5~100	5	21	26	30
	14-1.5	8	9, 10, 12, 13, 15, 16, 19, 20	15	8~100	5	25	30	34.6
	16-1.5	8	9, 10, 12, 13, 15, 16, 19, 20	17	8~100	6	27	32	36.9
L Configurable FJRL FJRSL	18-1.5	12	15, 20	15	10~100	6	27	32	36.9
	22-1.5	12	15, 20	17	10~100	6	27	32	36.9

- For L Configurable Type, tapped holes go through when h+T+L<3M.
- T=2 is only available for FJR.

Floating Joint and Holder Application Table (FJR, FJR_, FJR_, FJR_)

M-Pitch	T Dimensions* for FJR, FJR_, FJR_	HLRA P.1437 HLRB P.1437 HLRC P.1438	T Dimensions* for FJR, FJR_, FJR_	HLRE P.1439	T Dimensions* for FJR, FJR_, FJR_	HLRD P.1438	T Dimensions* for FJR, FJR_, FJR_	HLRL P.1439	T Dimensions* for FJR, FJR_, FJR_	HLRAF P.1437
4-0.7	4	7	4	7	8	7	7	3~8	7~3~8	
5-0.8	6	8	6	8	10	8	8	3~10	8~3~10	
6-1.0	6	10	6	10	12	10	10	3~12	10~3~12	
8-1.0	8	13	8	13	13	13	13	4~12	13~4~12	
8-1.25	8	13	8	13	15	16	16	5~15	16~5~15	
10-1.25	12	18	12	18	16	18	18	-	-	
12-1.25	12	18	12	18	16	18	18	-	-	
14-1.5	15	25	15	25	20	25	25	6~15	21~6~15	
16-1.5	15	25	15	25	20	25	25	8~20	25~8~20	
18-1.5	20	27	20	27	-	-	-	12~20	27~12~20	

- Holder size 27 is only applicable to HLRA and HLRC.
- For holder dimension details see P.1437-1439

Ordering Example
 Part Number - T - L
 FJR5-0.8 - 6 - 20
 FJRL14-1.5 - 12 - 20
 FJRC10-1.25 - 8

Floating Joint and Holder Application Table (FJD, FJD SW, FJD L)

M-Pitch	T Dimensions* for FJD, FJD SW, FJD L	HLRA P.1437 HLRB P.1437 HLRC P.1438	T Dimensions* for FJD, FJD SW, FJD L	HLRE P.1439	Dimensions* for FJD, FJD SW, FJD L	HLRD P.1438	T Dimensions* for FJD, FJD SW, FJD L	HLRL P.1439	T Dimensions* for FJD, FJD SW, FJD L	HLRAF P.1437
4-0.7	4	7	4	7	8	7	7	3~8	7~3~8	
5-0.8	6	8	6	8	10	8	8	3~10	8~3~10	
6-1.0	6	10	6	10	12	10	10	3~12	10~3~12	
8-1.25	8	13	8	13	13	13	13	4~12	13~4~12	
10-1.5	8	13	8	13	15	16	16	5~15	16~5~15	
12-1.5	12	18	12	18	16	18	18	-	-	
14-1.5	15	25	15	25	20	25	25	6~15	21~6~15	
16-1.5	15	25	15	25	20	25	25	8~20	25~8~20	
18-1.5	20	27	20	27	-	-	-	12~20	27~12~20	

- Holder size 27 is only applicable to HLRA and HLRC.
- For holder dimension details see P.1437-1439

About Nitriding Treatment
 Pretreatment of SUS facilitates formation of nitride layer.