

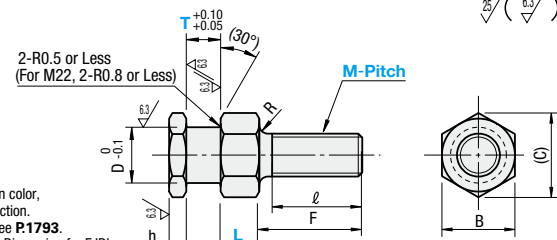
Floating Joints - Quick Connection Type

Threaded Type / Sheet Metal Holder Set

Surface treatment of SUS304 has changed from Salt-bath Nitriding to Nitriding treatment. Better corrosion resistance and hardness, less particle generation on the surface than the conventional products.

Threaded Type RoHS10

Type		Material	Surface Treatment	Hardness
L Fixed	L Configurable			
FJD	FJDL	S45C Equivalent	Salt-bath Nitriding	500HV~
FJDSW	-	SUS304	Nitriding Treatment	1000HV~



- ⚠ Salt-bath Nitriding may cause uneven color, which doesn't affect mechanical function.
- ⚠ For details of "Salt-bath Nitriding", see P.1793.
- ⚠ No Salt-bath Nitriding Treatment on F Dimension for FJDL.

Part Number		T		L		h	D	F	l	B	(C)	R	
Type	M-Pitch	L Fixed	L Configurable (1mm Increment)										
L Fixed FJD FJDSW	3-0.5	3	4	4	3~15	3	4	8	6	6	6.9	1	
	4-0.7	3	4 5 6 8	5	3~20		6	13	11	8	9.2		
	5-0.8	3	4 5 6 8 9 10	6	3~25		7	19	17	10	11.5		
	6-1.0	4	5 6 8	8	4~30		10	20	18	14	16.2		
L Configurable FJDL	8-1.25		5 6 8	12	4~40	4	13	24	21	17	19.6	1.5	
	10-1.5		6 8 9 10 12	9	4~50		21	40	37	26	30		
	16-2.0		12	20	12		8~80	25	50	46	30		34.6
	20-2.5		15 20	15	10~100		5	27	60	56	32		36.9
	22-2.5		12 15 20	17	10~100		6						

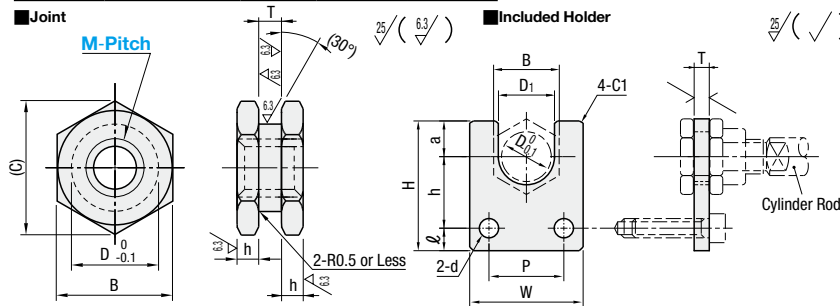
Holders: Applicable to Products with yellow highlight with in Price List only. For details, see P.1430

Ordering Example

Part Number	-	T	-	L
FJD5-0.8	-	5	-	
FJDL10-1.5	-	8	-	20

Sheet Metal Holder Set RoHS10

Type		Material	Surface Treatment	Hardness
Floating Joints	Holder			
FJSC	-	S45C Equivalent	SPCC Equivalent Salt-bath Nitriding	500HV~



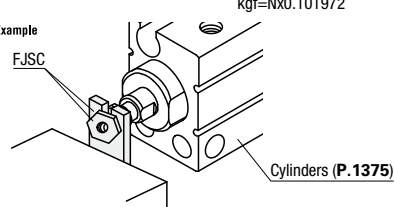
- ⚠ Salt-bath Nitriding may cause uneven color, which doesn't affect mechanical function.
- ⚠ For details of "Salt-bath Nitriding", see P.1793.

Part Number		T		Included Holder														
Type	M-Pitch	Tolerance	h	D	B	(C)	Tolerance	B	D ₁	W	H	a	h	l	P	d	Maximum Applied Tensile / Compression Force (N)	
FJSC	3-0.5	2.3	+0.3	2	6	8	9.2	2.3	±0.19	8	6.5	16	25	5	14	6	8	19
	4-0.7		+0.25		7	10	11.5			10	8	19	26	6	14	6	10	54
	5-0.8		+0.35		8	12	13.9			12	9	22	33	7	18	8	12	123
	6-1.0		+0.3		10	14	16.2			14	11	25	34	8	12	8	12	123

kgf=Nx0.101972

Ordering Example

Part Number	-	T
FJSC4-0.7	-	8

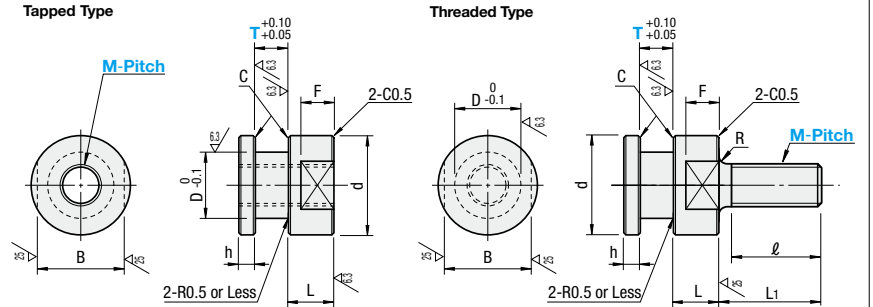


Floating Joints Quick Connection Type

Circular Tapped Type / Circular Threaded Type

RoHS10

Type		Material	Surface Treatment	Hardness
Tapped	Threaded			
FJCL	FJCLM	S45C Equivalent	Salt-bath Nitriding	500HV~



- ⚠ Salt-bath Nitriding may cause uneven color, which doesn't affect mechanical function.
- ⚠ For details of Salt-bath Nitriding, see P.1793.

Circular Tapped Type

Part Number		T		h	L	D	d	B	F	C	Applicable Holder	
Type	M-Pitch	L Fixed	L Configurable								T Dimensions for FJCL*	HLRA_HLRB_HLRC_HLRE
FJCL	3-0.5	3	4	3	5	6	10	8	3	0.2	4	6
	4-0.7	3	4		7	14	10	4	7 ^(*)			
	5-0.8	4	5		8	12	5	8				
	6-1.0	4	6		8	16	14	6	10			
	8-1.25	8	9		10	9	13	20	17		7	13
	10-1.25	8	11		16	24	21	8	16			
	10-1.5	8	9		10	12	18	26	22		10	18
	12-1.25	8	12		13	21	30	27	11		21	
	14-1.5	12	15		25	35	30	13	25			
	18-1.5	15										

(*) When M-Pitch is 4-0.7 and selecting T=4, applicable holders are HLRA, HLRB, HLRC.

For holder dimension details see P.1437-P.1439

Circular Threaded Type

Part Number		T		h	D	d	L	F	L ₁	l	B	R	C	Applicable Holder	
Type	M-Pitch	L Fixed	L Configurable											T Dimensions for FJCLM*	HLRB
FJCLM	4-0.7	3	4	3	4	6	4	11	9	10	1.5	0.2	4	4	
	5-0.8	4	5		7	5	13	11	12	6					
	6-1.0	4	6		7	16	8	6	19	17			14	7	
	8-1.25	6	8		10	20	9	7	20	18			17	6	10
	10-1.5	8	13		24	11	8	24	21	21			8	13	
	16-2.0	12	21		35	13	11	35	32	30			2	12	21
	20-2.5	15	5		25	40	15	13	40	37			36	15	25

For holder dimension details see P.1437-P.1439

Ordering Example

Part Number	-	T
FJCL6-1.0	-	8



Example

The combination shown below is available on the website. For details of selections see P.81

*Enter a number in the search box on e-Catalog. The search result will be shown in "Modular Assembler" area on the right-hand side of the screen.

e-Catalog Search Number

#MA8 Search

