

Overview

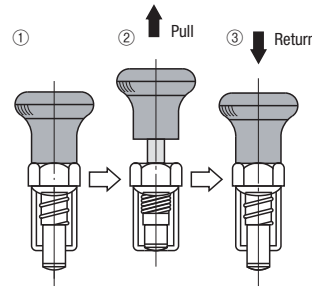
The locating pin can be pushed in/out manually.
Suitable for various applications such as indexing of fixture, positioning, stopper, etc.
For details, refer to How to Handle and App. Examples below.

On Handling

How to Handle Returning Type and Rest Position Type

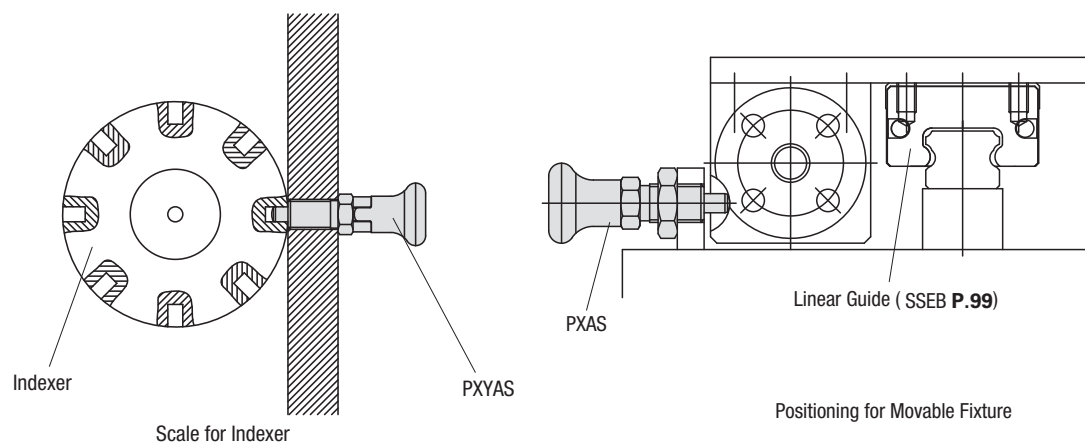
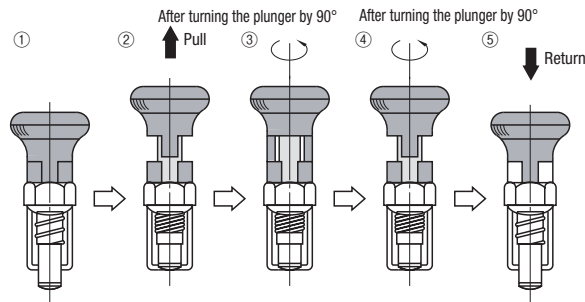
Returning Type

- In normal condition, the tip protrudes.
- When pulling up the knob, the tip retracts.
- When releasing the knob, the internal spring resets the plunger to the protruding position.



Rest Position Type

- In normal condition, the tip protrudes.
- When pulling up the knob, the tip retracts.
- Pulling the knob and turning it by 90° locks the plunger with the tip retracted.
- To unlock, pull the knob slightly and turn it by 90°.
- When releasing the knob, the internal spring resets the plunger to the protruding position.



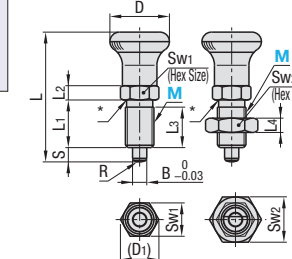
Part Number(Type-M)
PXAS10

Fine Thread

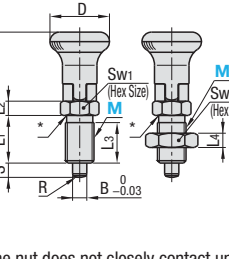


Screw	Type		Knob	Main Body		Pin		Spring		Lock Nut	
	Returning	Rest Position		Material	Surface Treatment	Material	Hardness	Surface Treatment	Material	Surface Treatment	Material
Fine Thread	PXAS	PXYAS	Nylon 6 (Mat Black)	SUM23	Black Oxide	S45C	50-60HRC	Black Oxide	SWP-B	-	-
	PXKS	PXYKS		SUS303	-	SUS303	-	Nickel Plating	SUS304	S45C	Black Oxide
	SXPAS	SXYAS		-	-	-	-	-	-	-	-
	SXPKS	SXYKS		-	-	-	-	-	-	-	-

- Return Type - Fine Thread With Lock Nut



- Rest Position Type - Fine Thread With Lock Nut



- Features:
- Suitable for fine adjustment of protruded part of pins.
 - More precise positioning is possible compared to the coarse thread.

* The nut does not closely contact under the neck.

Fine Thread

Part Number		Pitch (Fine Thread)	D	D ₁	B	S	R	L								Load (N)				
Type	M							Returning	Rest Position	L ₁	L ₂	L ₃	L ₄	Sw ₁	Sw ₂	PXAS / PXYAS / PXKS / PXYKS	SXPAS / SXYAS / SXPKS / SXYKS	min.	max.	
(Return)	(Rest Position)	10	1.0	21	13.8	5	5	5	45	51	17	5	15	5	12	17	7	17	6	15
PXAS	PXYAS	12	1.5	25	16.2	6	6	6	54.5	61	20	6	17	6	14	19	10	24	9	21
PXKS	PXYKS	16	1.5	31	21.9	8	8	8	69	75.5	26	8	23	8	19	24	11	30	10	26

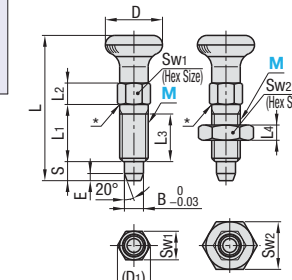
kg=Nx0.101972

Coarse Thread

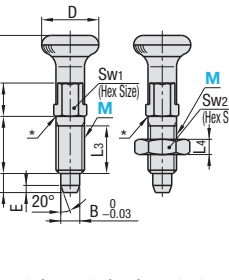


Screw	Type		Knob	Main Body		Pin		Spring		Lock Nut	
	Returning	Rest Position		Material	Surface Treatment	Material	Hardness	Surface Treatment	Material	Surface Treatment	Material
Coarse Thread	PMXAS	PMXYAS	Nylon 6 (Mat Black)	SUM23	Black Oxide	S45C	50-60HRC	Black Oxide	SWP-B	-	-
	PMXKS	PMXYKS		SUS303	-	SUS303	-	Nickel Plating	SUS304	S45C	Black Oxide
	SMXAS	SMXYAS		-	-	-	-	-	-	-	-
	SMXKS	SMXYKS		-	-	-	-	-	-	-	-

- Return Type - Coarse Thread With Lock Nut



- Rest Position Type - Coarse Thread With Lock Nut



M	Allowable Tightening Torque (N-m)
6	1.5
8	9
10	20
12	25

⚠ Since this type has thin threaded, do not exceed the tightening torques shown in the table above.

* The nut does not closely contact under the neck.

Coarse Thread

Part Number		Pitch (Fine Thread)	D	D ₁	B	S	E	L								Load (N)					
Type	M							Returning	Rest Position	L ₁	L ₂	L ₃	L ₄	L ₅	Sw ₁	Sw ₂	PMXAS / PMXYAS / PMXKS / PMXYKS	SMXAS / SMXYAS / SMXKS / SMXYKS	min.	max.	
(Return)	(Rest Position)	6	1.0	12	6.9	4	4	1.5	30.5	33	12	4.5	10	3.2	7	6	10	3	11	3	11
PMXAS	PMXYAS	8	1.25	16	9.2	5	5	1.5	40	43.5	16	6	14	4	9.7	8	13	5	24	5	23
PMXKS	PMXYKS	10	1.5	18	11.5	6	6	1.5	49	52	20	7.5	18	5	10.5	10	16	5	21	6	21
SMXAS	SMXYAS	12	1.75	21	13.9	8	8	1.5	59	63.5	24	9	22	6	13.5	12	18	6	22	6	22

kg=Nx0.101972