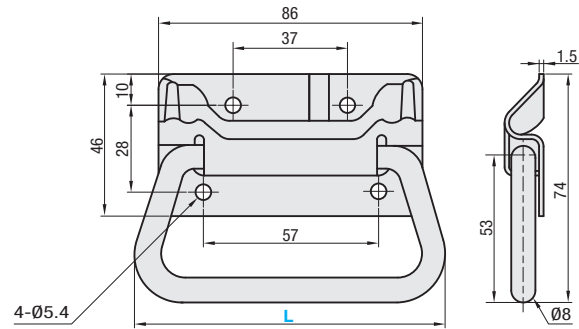


Ordering Example Part Number (Type-L)
C-UWUASP100

Side Mount Pull Handles (Spring-Loaded)



Type	Material	Surface Treatment
① C-UWUASP	SPCC	Zinc Plating
② C-UWUASPS	Stainless Steel Material	Tumble Polish



When hands are released from the grip, the status will be as shown below due to the spring function.



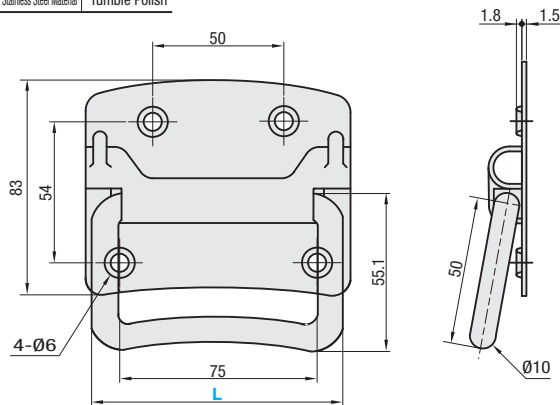
Part Number		Mass (g)
Type	L	
C-UWUASP (Steel)	100	218
C-UWUASPS (Stainless Steel)		232

Ordering Example Part Number (Type-L)
C-UWUAS97

Side Mount Pull Handles



Type	Material	Surface Treatment
① C-UWUA	SPCC	Zinc Plating
② C-UWUAS	Stainless Steel Material	Tumble Polish



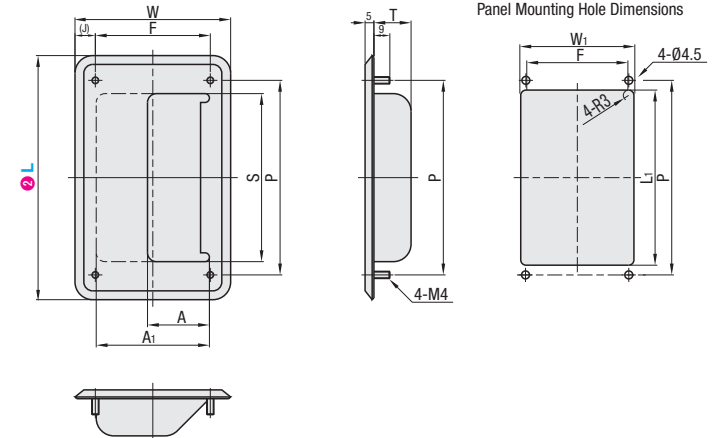
Part Number		Mass (g)
Type	L	
C-UWUA (Steel)	97	138
C-UWUAS (Stainless Steel)		142

When ordering, select Part Number and Values from Selection Steps ①~③.
Ordering Example Part Number (①Type-②L) - ③Threaded Studs Type
C-UWUAN94 - B

Recessed Grip Handles



C-UWUAN



Material: Stainless Steel

Part Number		③ Threaded Studs Type	W	P	F	S	A	A ₁	T	(J)	L ₁	W ₁	Mass (g)
① Type	② L												
C-UWUAN	94	B (Threaded Studs Type)	60	76	32	61	25	43	12	14.5	63	43	78
	109.5		64	88	38	70.5	25	40	14.5	13	73	42	99
	138		88	110	65	85	35	62	21	11.5	99	64	166

