




Cam Followers

Hex Socket on Head / Thread (Flat Type with Grease Fitting)

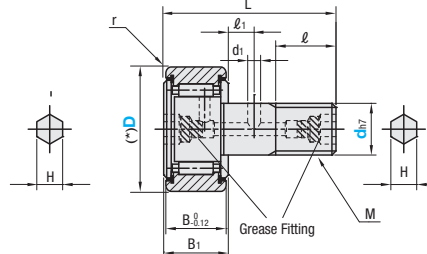
■ Flat



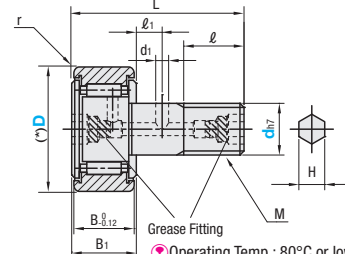
RoHS 10

Application	Type		Material	Accessory
	With Seal	No Seal		
General	CFFH	CFAH	SUJ2	1 Hex Nut (S45C Carbon Steel, Black Oxide)
	CFFSH	CFASH		
Low Dust Generation	CFFCH	-	SUS440C Equivalent	Hex Nut 1 pc. (SUS304)
Heavy Load	CFFGH	-	SUJ2	1 Hex Nut (S45C Carbon Steel, Black Oxide)

■ With Seal



■ No Seal



(*)

D	Tolerance
30	-0.009
32-47	-0.011
52-80	-0.013
80-90	-0.015

Operating Temp.: 80°C or lower

Part Number		D (Selectable)	MxPitch	B	B ₁	L	d ₁	ℓ	ℓ ₁	r	f (Min.)	H	Mass (g)	Max. Tightening Torque (N • cm)	Unit Price						
Type	dh7 Tolerance														CFFH	CFFSH	CFFCH	CFFGH	CFAH	CFASH	
(With Seal) CFFH CFFSH CFFCH CFFGH	12	0 -0.018	30	12x1.5	14	15	40	14	6	1.5	20	6	105(107)	29.4							
			32																		
	16		35	16x1.5	18	19.5	52	18	8	24	205(207)	70.6									
	18		40	18x1.5	20	21.5	58	20	8	26	295(300)	98									
	20		47	20x1.5	24	25.5	66	22	9	36	450(455)	137									
			52										525(530)								
	(No Seal) CFAH CFASH	24	0 -0.021	62	24x1.5	29	30.5	80	25	11	40	8	915(925)	245							
				72									1150(1160)								
	30		80									1880(1890)	480								
			85	30x1.5	35	37	100	32	15	2	46	1950(1960)									
			90								2000(2010)										

For the performance of Cam Followers, see Table 1 on P.1043.

Ordering Example: Part Number **CFFH20** - D **52**

Part Number Substitution Table for Cam Follower Standard Changes (D30-40,52 only)

Type	Old Part Number (D30-40,52)			New Part Number
	Old Standard	Old Hex Socket Type	Old Hex Socket on Thread	Hex Socket on Head and Thread
Cam Followers	CFUR	CFUA	CFUB	CFUH
	CFURS	CFUAS	-	CFUSH
	CFURC	CFUAC	-	CFUCH
	-	CFUAG	-	CFUGH
	CFU	CUA	-	CUH
	CFUS	CUAS	-	CUSH
	CFFR	CFFA	CFFB	CFFH
	CFFRS	CFFAS	-	CFFSH
	CFFRC	CFFAC	-	CFFCH
	-	CFFAG	-	CFFGH
	CFR	CFA	-	CFAH
	CFRS	CFAS	-	CFASH