


# Guide Followers

■ **Features:** Ball bearing-combined products used for transfers and guiding.

■ **Guide Followers**

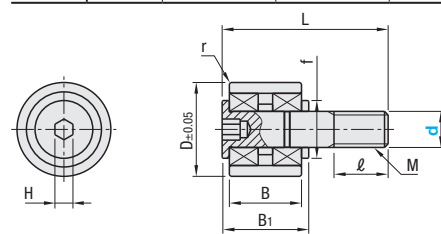


RoHS10

Application	Type	Material		Accessory
		External Parts	Internal Parts (Bearing)	
General	GFR	SUS420	SUJ2	Hex Nut 1 pc. (SUS304)

⊙ Operating Temp.: 80°C or lower

Example




Part Number		D	MxPitch	B	B <sub>1</sub>	L	l	r	f (Min.)	H	Basic Load Rating		Allowable Rotational Speed (rpm)	Mass (g)	Unit Price
Type	d Tolerance										C (Dynamic) kN	Cor (Static) kN			
GFR	3	10	3x0.5	8.5	9.5	17	5	0.2	6.8	1.5	0.840	0.268	52000	5	
	4	12	4x0.7	9	11	20	6	0.4	7.8	2.5	1.065	0.405	38000	8	
	5	13	5x0.8	10	12	23	7.5	1.072			0.414	36000	11		
	6	16	6x1.0	12	14	28	9	10.8	3	1.620	0.660	30000	18		
	8	19	8x1.25		16	32	11	13.8	4	2.415	1.065	24000	28		

Ordering Example: Part Number **GFR6**      ⊙ kgf=Nx0.101972

# Miniature Cam Followers

■ **Miniature Cam Followers**

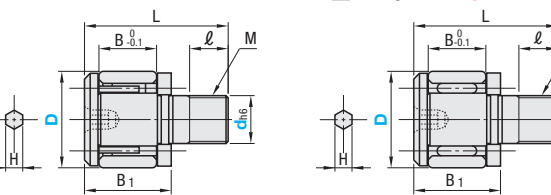


RoHS10

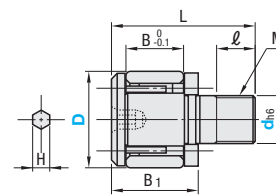
Application	Type	Material		Accessory
		External Parts	Internal Parts (Bearing)	
General	CFFAN	SUJ2 (Stud: SCM415)		1 Hex Nut (S45C Carbon Steel, Black Oxide)
Low Dust Generation	CFFAM	SUS440C Equivalent		Hex Nut 1 pc. (SUS304)
	CFFAMC			
Heavy Load	CFFANG	SUJ2 (Stud: SCM415)		1 Hex Nut (S45C Carbon Steel, Black Oxide)
	CFFAMG	SUS440C Equivalent		Hex Nut 1 pc. (SUS304)

⊙ Operating Temp.: 80°C or lower

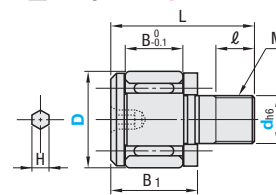
Example



■ **General, Low Particle Generation**



■ **Heavy Load** ⊙ **Full Roller for Heavy Load.**



Note: Thread diameter of Miniature Cam Follower is small. To prevent damage, use torque wrench and secure within the maximum tightening torque. (Please note that the maximum tightening torque for a miniature cam follower is about one-fourth of that of the conventional equivalents.)

■ **General, Low Particle Generation**

Part Number		D Selectable	MxPitch	l	B	B <sub>1</sub>	L	H		Basic Load Rating				Max. Allowable Load (N)	Track Load Capacity (N)	Max. Rotational Speed (rpm)	Mass (g)	Max. Tightening Torque (N·cm)	Unit Price			
Type	d <sub>h6</sub> Tolerance							Steel	Stainless Steel	Cr (Dynamic) N	Cor (Static) N	Steel	Stainless Steel						Steel	Stainless Steel	Steel	Stainless Steel
CFFAN (General, Steel)	2.5	0	5	2.5x0.45	2.5	3	4.5	9.5	0.9	0.9	410	350	335	285	285	285	3360	1	16			
	3	-0.006	6	3x0.5	3	4	5.5	11.5	1.5	1.3	630	565	610	525	525	470	2800	2	28			
CFFAM (General)	4		8	4x0.7	4	5	7	15	2	1.5	1080	915	1080	915	915	795	2100	4	64			
CFFAMC (Low Dust Generation)	5	0	10	5x0.8	5	6	8	18	2.5	2	1570	1340	1860	1400	1400	1210	1680	7	125			
	6	-0.008	12	6x1.0	6	7	9.5	21.5	3	2.5	2060	1880	2160	2040	2040	1700	1400	13	226			

■ **Heavy Load (Full Rollers)**

Part Number		D Selectable	MxPitch	l	B	B <sub>1</sub>	L	H		Basic Dynamic Load Rating				Max. Allowable Load (N)		Track Load Capacity (N)		Max. Rotational Speed (rpm)	Mass (g)	Max. Tightening Torque (N·cm)	Unit Price		
Type	d <sub>h6</sub> Tolerance							Steel	Stainless Steel	Cr (Dynamic) N	Cor (Static) N	Steel	Stainless Steel	Steel	Stainless Steel	Steel	Stainless Steel				Steel	Stainless Steel	CFFANG
CFFANG (Heavy Load)	2.5	0	5	2.5x0.45	2.5	3	4.5	9.5	0.9	0.9	1000	665	1080	410	260	410	300	285	2000	1	16		
	3	-0.006	6	3x0.5	3	4	5.5	11.5	1.5	1.3	1370	1020	1770	590	360	590	480	470	1680	2	28		
CFFAMG (Heavy Load)	4		8	4x0.7	4	5	7	15	2	1.5	2350	1680	3040	1050	780	1050	770	795	1260	4	64		
	5	0	10	5x0.8	5	6	8	18	2.5	2	3140	2520	4710	1640	1420	1640	1180	1210	1000	7	125		
6	-0.008	12	6x1.0	6	7	9.5	21.5	3	2.5	4610	3400	6270	2360	2110	2360	1540	1700	840	13	226			

Ordering Example: Part Number - **D**  
**CFFAM2.5 - 5**