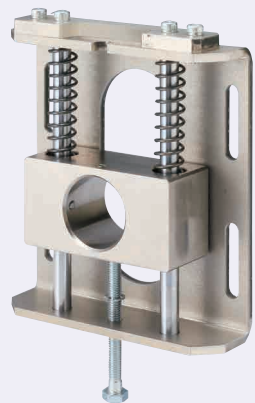


# Belt Tensioners - Spring-Loaded

■ **Features:** It is the auto-tensioner for roller and idler. It can be easily installed and adjusted by spanner or wrench.



Components	Bearing Block	Mounting Plate	Chassis	Adjusting Screw	Shaft
Material	SS400	SPH	SPH	SUS304 Equivalent	SUJ2
Surface Treatment	Electroless Nickel Plating			-	Hard Chrome Plating

Components	Bolt	Retaining Ring	Spring	Set Screw
Material	SCM435	Spring Steel	SWP-A	SUS304 Equivalent
Surface Treatment	Trivalent Chromate			-

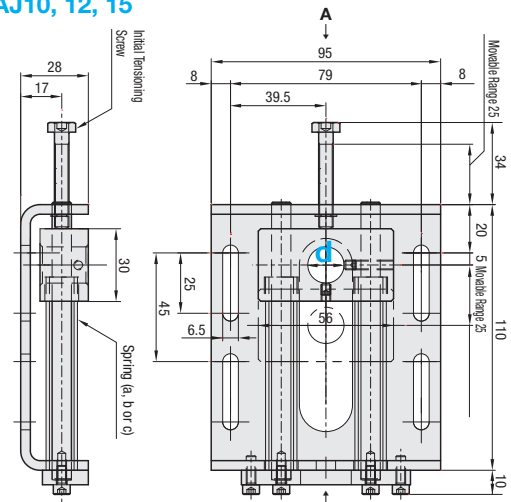
\* 3 types of Springs are included in the shipment.

a: WL13-80	b: WT13-80	c: WM13-80
(Spring Constant: 1.0N/mm)	(Spring Constant: 2.0N/mm)	(Spring Constant: 2.9N/mm)
Fmax 32mm	Fmax 32mm	Fmax 32mm
Set Deflection Amount 25mm	Set Deflection Amount 25mm	Set Deflection Amount 25mm
1.0x25x2 (pcs.)	2.0x25x2 (pcs.)	2.9x25x2 (pcs.)
=50N/9.8=5.1kg	=50N/9.8=10.2kg	=145N/9.8=14.8kg

☞ For other Spring details, see P2-345.

RoHS10

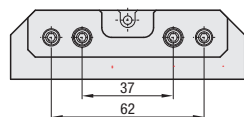
## •ROBAJ10, 12, 15



Arrow View A



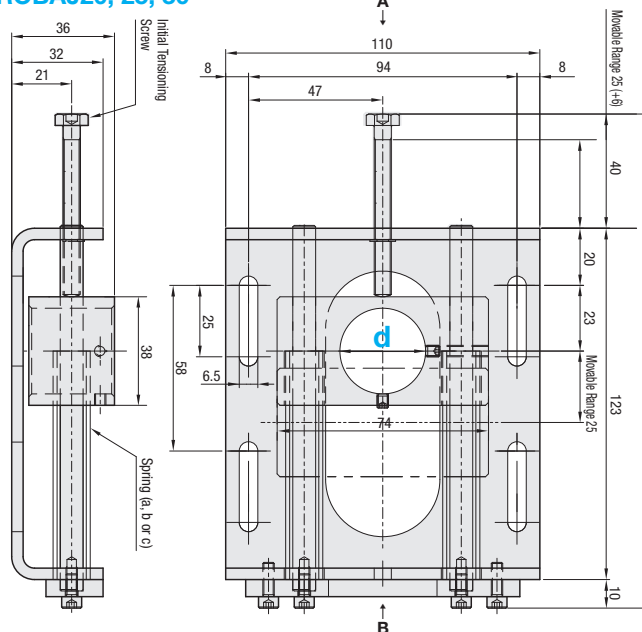
Arrow View B



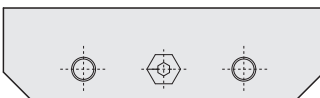
Part Number	Unit Price	
TYPE	d	1~10 pcs.
ROBAJ	10	
	12	
	15	

☞ For orders larger than indicated quantity, please check with WOS.

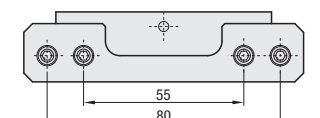
## •ROBAJ20, 25, 30



Arrow View A



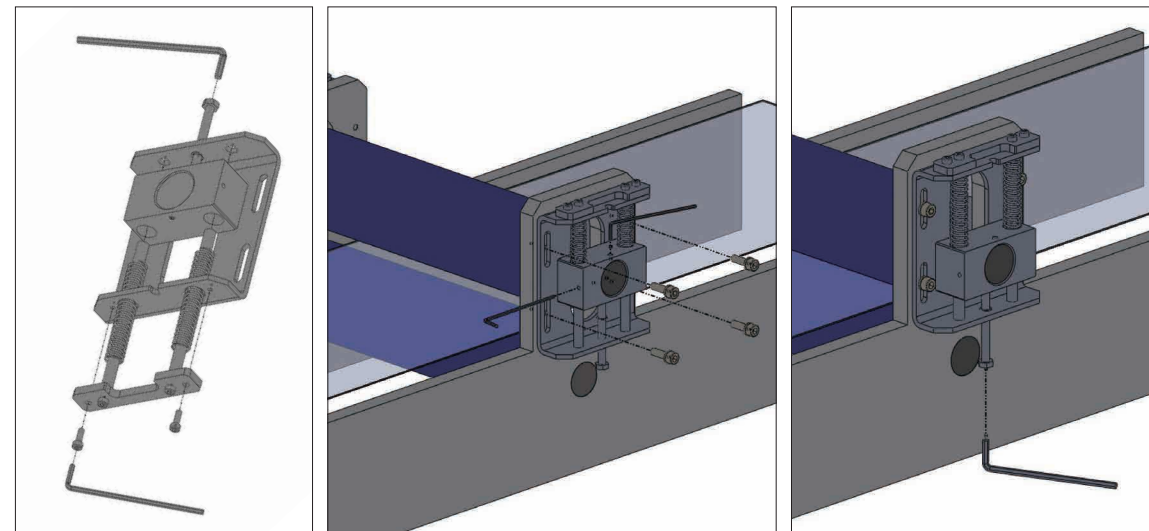
Arrow View B



Part Number	Unit Price	
TYPE	d	1~10 pcs.
ROBAJ	20	
	25	
	30	

☞ For orders larger than indicated quantity, please check with WOS.

## How to Mount

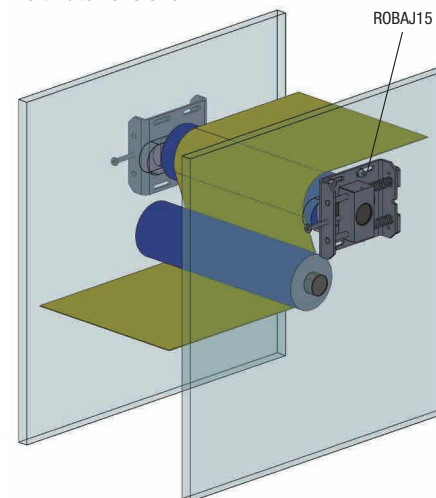


1. Select the required spring force and mount the spring. Adjust the amount of deflection with the adjustment screw.
2. Mount the Roller (Idler) and temporarily fasten the main body on the chassis.
3. Apply tension to the Roller (Idler), and tightly mount the main body. Loosen the bolt.

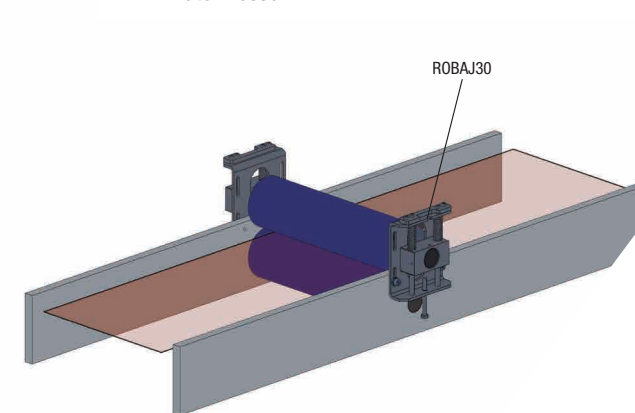


Example

### • Belt Auto Tensioner



### • Thin Plate Presser



Ordering Example

Part Number

ROBAJ 30