

Guide Rollers

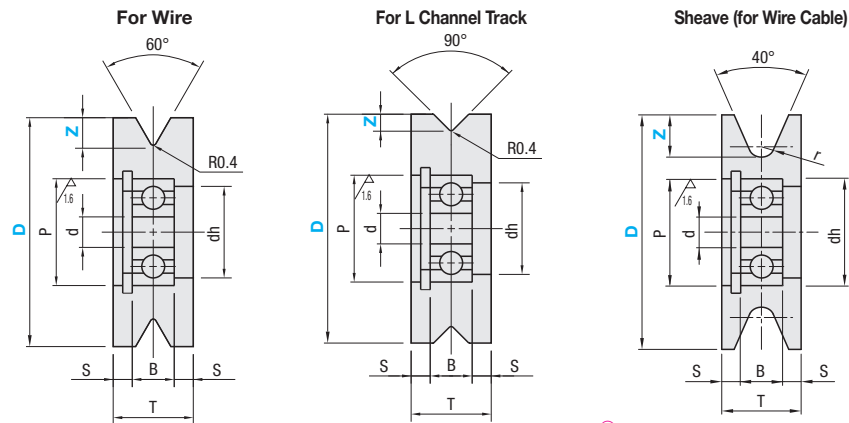
V Groove 60°, V Groove 90°, Sheave (for Wire Cables)

■ **Features:** Can be used for a various guides for rails and workpieces. For 60°= Wire, for 90°= L channel, for Sheaves = Wire Cable.

Type			Body Material	Surface Treatment	Material	
60°: For Wire	90°: For Channel	Sheave (for Wire Cable)			Retaining Ring	Bearing
VMRN	VMQN	-	S45C Equivalent	-	Spring Steel	
VMRB	VMQB	-		Black Oxide	Steel	
VMRG	VMQG	-		Electroless Nickel Plating	Steel	
VMRA	-	-	Aluminum Alloy	Clear Anodize	Stainless Steel	
VMPR	-	-	Polycetal	-	Steel	
VMRM	-	-	Conductive MC Nylon	-	Spring Steel	
-	-	SMRN	MC Nylon	-	Spring Steel	

* Bearing Accuracy JIS B 1514, 0 Class
 ⚙ Bearings are press-fit.

6.3 / (1.6 /)



⚙ For bearing detailed dimensions, see P989.

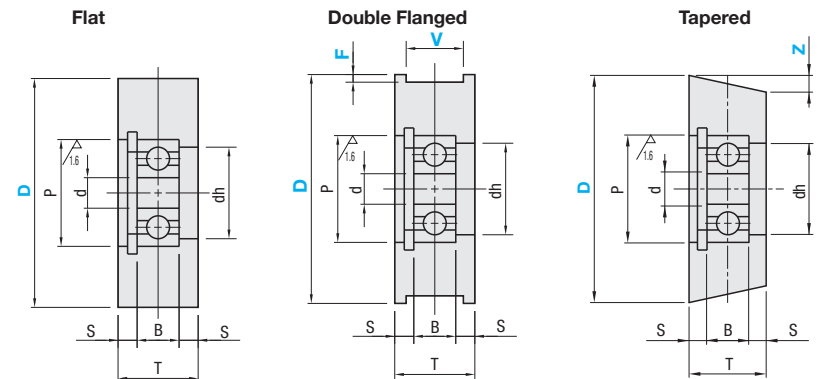
Guide Rollers

Flat, Double Flanged, Tapered

Type			Body Material	Surface Treatment	Material	
Flat	Double Flanged	Tapered			Retaining Ring	Bearing
FTMRN	HMRN	TMRN	S45C Equivalent	-	Spring Steel	
FTMRB	-	-		Black Oxide	Steel	
FTMRG	-	-		Electroless Nickel Plating	Steel	
FTMRA	HMRA	-	Aluminum Alloy	Clear Anodize	Stainless Steel	
FTMRP	HMRP	-	Polycetal	-	Steel	

* Bearing Accuracy JIS B 1514, 0 Class
 ⚙ Bearings are press-fit.

6.3 / (1.6 /)



⚙ For bearing detailed dimensions, see P989.



RoHS10



RoHS10

Part Number Type	D	Z Groove Depth		d	P	dh	T	S	B	r	Applicable Wire Cable Dia.	Bearing Used	
		60° Sheave	90°										
For Wire VMRN VMRB VMRG VMRA VMPR VMRM	(20)	4	3	3	10	8	10	3	4	-	-	623ZZ	
	(30)			5	16	13	10	2.5	5	-	-	625ZZ	
	40			6	19	16	12	3	6	-	-	626ZZ	
	30			6	19	16	12	3	6	-	-	626ZZ	
	40			8	24	21	14	3	8	-	-	628ZZ	
	(40)			8	24	21	14	3	8	-	-	628ZZ	
	(50)	7	5	10	26	23	14	3	8	-	6000ZZ		
	*50	9	-	10	26	23	14	3	8	2.2	4	6000ZZ	
	60			-	-	-	-	-	-	-	-	-	
	*60			10	10	26	23	16	4	8	3.3	6	6000ZZ
	*60	10A	-	10	26	23	18	5	8	4.4	8	6000ZZ	
	60	-	-	10	26	23	16	4	8	-	-	6000ZZ	
	(60)	11	-	6	10	26	23	16	4	8	-	-	6000ZZ
	*60			-	12	28	25	20	6	8	5.5	10	6001ZZ
	(100)			-	12	28	25	16	4	8	-	-	6001ZZ

⚙ 90°: Channel Type are available in sizes in () only.
 ⚙ For Sheave Type (for Wire Cables), only * marked sizes are available.

Ordering Example	Part Number	Groove Depth Z
	VMRA40	5
	SMRN50	9
	VMQN40	5

D	Z Groove Depth		Unit Price					
	60° Sheave	90°	For Wire			For L Channel Track	Sheave	
			VMRN (x1.0)	VMRA	VMPR	VMRM	VMQN (x1.0)	SMRN
20	4	3	VMRB (x1.1)				VMQB (x1.1)	
30			VMRG (x1.2)				VMQG (x1.2)	
40								
30	5	-						
40								
40								
50	7	5						
50								
50								
60	9	-						
60								
60								
60	10	-						
60								
60	10A	-						
60	11	6						
100								

⚙ The unit price for VMRB and VMQB is a multiplier (x1.1) applied to the price shown in the list. The unit price for VMRG and VMQG is a multiplier (x1.2) applied to the price shown in the list.

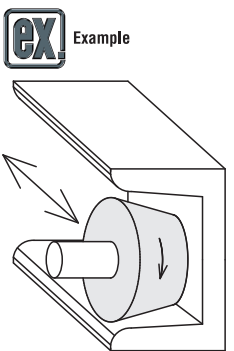
Part Number Type	D	Double Flanged		Tapered	d	P	dh	T	S	B	Bearing Used
		V Groove Width	F 0.5mm Increment	Z 0.5mm Increment							
Flat FTMRN FTMRB FTMRG FTMRA FTMRP	15	4	0.5~2.0	-	3	10	8	9	2.5	4	623ZZ
	20				4	13	11	10		5	624ZZ
	30				5	16	13	10	5	625ZZ	
	(30)				6	19	16	12	3	6	626ZZ
	*20				4	13	11	10	2.5	5	624ZZ
	30				5	16	13	10	2.5	5	625ZZ
	40	6	19	16	11	3	6	626ZZ			
	(40)	8	24	21	14	3	8	628ZZ			
	*30	5	16	13	10	2.5	5	625ZZ			
	40	6	19	16	11	3	6	626ZZ			
	(40)	8	24	21	14	3	8	628ZZ			
	*40	6	19	16	11	2.5	5	625ZZ			
	50	8	24	21	14	3	8	628ZZ			
	(50)	10	26	23	14	3	8	6000ZZ			
	*50	6	19	16	11	2.5	6	626ZZ			
	(60)	8	24	21	14	3	8	628ZZ			
	*60	10	26	23	14	3	8	6000ZZ			
	(100)	12	28	25	16	4	8	6001ZZ			

⚙ Flat Type are available in sizes in () only.
 ⚙ Tapered Type are available in * marked sizes only.

Ordering Example	Part Number	V Groove Width	F	Z
	FTMRN40			
	HMRA30	4	F0.5	Z3.0
	TMRN20			

D	V Groove Width	Unit Price				
		Flat		Double Flanged		Tapered
		FTMRN (x1.0)	FTMRA	HMRN	HMRA	TMRN
15	4	FTMRB (x1.1)				
20		FTMRG (x1.2)				
30						
20	5					
30						
40						
30	6					
40						
50						
40	8					
50						
60						
100						

⚙ The unit price for FTMRB is a multiplier (x1.1) applied to the price shown in the list. The unit price for FTMRG is a multiplier (x1.2) applied to the price shown in the list.



Suitable for use with channel steel. EX.) Guides for elevators, etc.