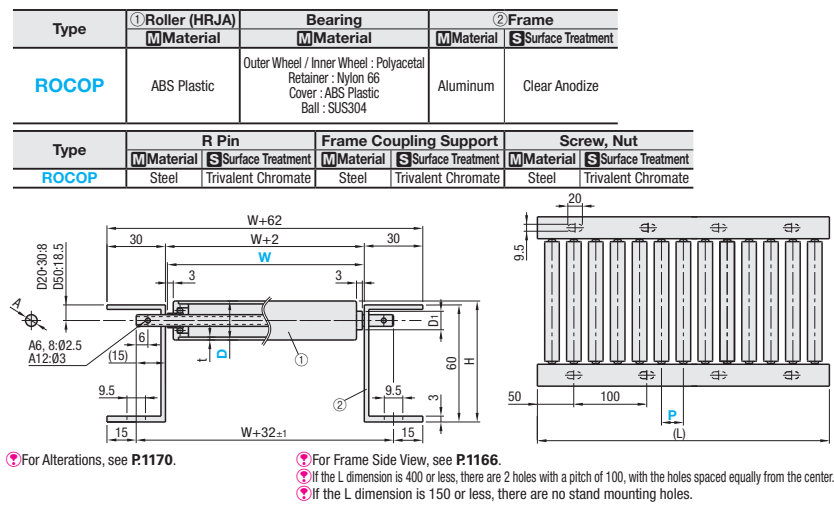


Resin Roller Conveyor Length Configurable

Roller Diameter 20mm, 30mm, 50mm Type

■ Features: Light weight (approx. 2.3kg/m) Roller Conveyor composed of resin rollers and aluminum frame.



☎ For Alterations, see P.1170. ☎ For Frame Side View, see P.1166.
 ☎ If the L dimension is 400 or less, there are 2 holes with a pitch of 100, with the holes spaced equally from the center.
 ☎ If the L dimension is 150 or less, there are no stand mounting holes.

Part Number Type	D	Number of Rollers	W (Roller Width)	P (Pitch)	A	D ₁	t	H	Roller Strength for Reference (N)				
									W113	W213	W313	W413	W513
ROCO	20	5-40	113	25	6	9.5	1.5	62	113	105	98	90	83
	30	5-32	213	40	8	14	1.8	67	162	154	147	139	132
	50	5-13	413	75	12	17	2.8	66.5	314	304	294	289	279
	50	5-13	513	100									

■ Roller Diameter 20, 30mm Type ☎ Reference roller strength is per single roller.

Type	Number of Rollers	L		Unit Price 1 ~ 5 pc(s).															
		D20	D30	W113			W213			W313			W413			W513			
		P=25	P=40	P=50	D20	D30	P=50	D20	D30	P=50	D20	D30	P=50	D20	D30	P=50	D20	D30	P=50
ROCO	5	(120)	(195)	(245)															
	6	(145)	(235)	(295)															
	7	(170)	(275)	(345)															
	8	(195)	(315)	(395)															
	9	(220)	(355)	(445)															
	10	(245)	(395)	(495)															
	11	(270)	(435)	(545)															
	12	(295)	(475)	(595)															
	13	(320)	(515)	(645)															
	14	(345)	(555)	(695)															
	15	(370)	(595)	(745)															
	16	(395)	(635)	(795)															
	17	(420)	(675)	(845)															
	18	(445)	(715)	(895)															
	19	(470)	(755)	(945)															
	20	(495)	(795)	(995)															
	21	(520)	(835)	(1045)															
	22	(545)	(875)	(1095)															
	23	(570)	(915)	(1145)															
	24	(595)	(955)	(1195)															
	25	(620)	(995)	(1245)															
	26	(645)	(1035)	(1295)															
	27	(670)	(1075)	-															
	28	(695)	(1115)	-															
	29	(720)	(1155)	-															
	30	(745)	(1195)	-															
	31	(770)	(1235)	-															
	32	(795)	(1275)	-															
	33	(820)	-	-															
	34	(845)	-	-															
	35	(870)	-	-															
	36	(895)	-	-															
	37	(920)	-	-															
	38	(945)	-	-															
	39	(970)	-	-															
	40	(995)	-	-															

■ Roller Diameter 50mm Type ☎ For orders larger than indicated quantity, please check with WOS.

Type	Number of Rollers	L		Unit Price 1 ~ 5 pc(s).									
		D50		W113		W213		W313		W413		W513	
		P=75	P=100	P=75	P=100	P=75	P=100	P=75	P=100	P=75	P=100	P=75	P=100
ROCO	5	(370)	(495)										
	6	(445)	(595)										
	7	(520)	(695)										
	8	(595)	(795)										
	9	(670)	(895)										
	10	(745)	(995)										
	11	(820)	(1095)										
	12	(895)	(1195)										
	13	(970)	(1295)										

☎ For orders larger than indicated quantity, please check with WOS.

Ordering Example: Part Number - Number of Rollers - W - P
 ROCOP20 - 10 - 213 - 25

Alterations P.1170

Roller Conveyor Length Configurable

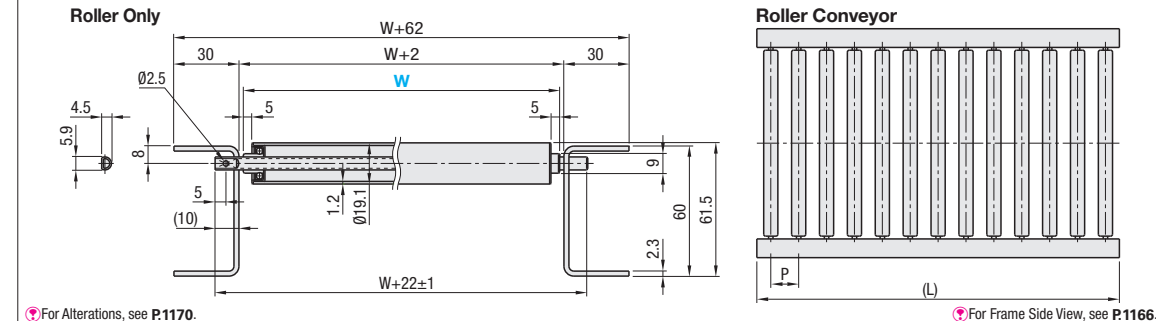
Roller 19mm Diameter Type

■ Features: Short roller conveyors 1m or less, with configurable width and length.



Roller Pitch		① Roller (HRO19)		Bearing		② Frame	
P=20	P=30	M Material	S Surface Treatment	M Material	S Surface Treatment	M Material	S Surface Treatment
ROCO	ROCON	Steel	Trivalent Chromate	Steel	Steel	Steel	Trivalent Chromate

Roller Pitch		R Pin		Frame Coupling Support		Screw, Nut	
P=20	P=30	M Material	S Surface Treatment	M Material	S Surface Treatment	M Material	S Surface Treatment
ROCO	ROCON	Steel	Trivalent Chromate	Steel	Trivalent Chromate	Steel	Trivalent Chromate



☎ For Alterations, see P.1170. ☎ For Frame Side View, see P.1166.

Type	Number of Rollers	Unit Price																	
		ROCO P=20		ROCON P=30		ROCO (P=20)				ROCON (P=30)									
		W113	W213	W313	W413	W513	W113	W213	W313	W413	W513								
ROCO ROCON	6	(120)	(190)																
	7	(140)	(200)																
	8	(160)	(230)																
	9	(180)	(260)																
	10	(200)	(290)																
	11	(220)	(330)																
	12	(240)	(360)																
	13	(260)	(390)																
	14	(280)	(430)																
	15	(300)	(460)																
	16	(320)	(490)																
	17	(340)	(500)																
	18	(360)	(530)																
	19	(380)	(560)																
	20	(400)	(590)																
	21	(420)	(630)																
	22	(440)	(660)																
	23	(460)	(690)																
	24	(480)	(730)																
	25	(500)	(760)																
	26	(520)	(790)																
	27	(540)	(800)																
	28	(560)	(830)																
	29	(580)	(860)																
	30	(600)	(890)																
	31	(620)	(930)																
	32	(640)	-																
	33	(660)	-																
	34	(680)	-																
	35	(700)	-																
	36	(720)	-																
	37	(740)	-																
	38	(760)	-																
	39	(780)	-																
	40	(800)	-																
	41	(820)	-																
	42	(840)	-																
	43	(860)	-																
	44	(880)	-																
	45	(900)	-																
	46	(920)	-																
	47	(940)	-																
	48	(960)	-																

Ordering Example: Part Number - W
 ROCO38 - 113
 ROCON22 - 313

Alterations P.1170