


# Roller Carriers (Cantilever Type for Guiding)

■Features: Cantilever Type does not take up lot of space, and is a product for Guiding.

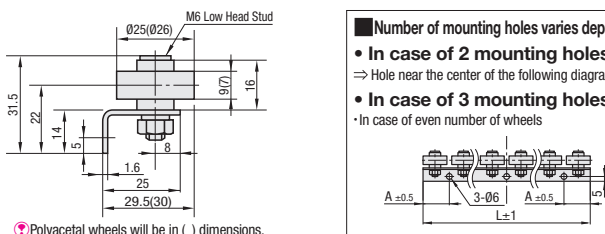
■Cantilever Type



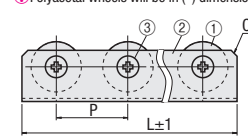
Type	Material	Surface Treatment
P=30	①Rollers Bearing ②Frame ③Screw, Nut	①Rollers ②Frame ③Screw, Nut
<b>CRONK</b>	Steel	Trivalent Chromate
<b>CRONKF</b>	Steel	Trivalent Chromate
<b>CROJK</b>	Polyacetal	Trivalent Chromate
<b>CROJKF</b>	Steel	Trivalent Chromate

■Number of mounting holes varies depending on the overall length (L).

- In case of 2 mounting holes  
⇒ Hole near the center of the following diagram is not machined.
- In case of 3 mounting holes  
• In case of even number of wheels
- In case of odd number of wheels



Polycetal wheels will be in ( ) dimensions.



■Allowable Load per Wheel

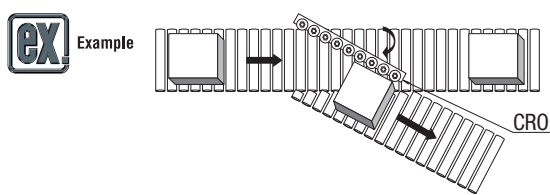
Wheel Material	Allowable Load
Steel	30kgf(294N)
Polyacetal	20kgf(196N)

Cantilever Type		Overall Length (L)		Unit Price	
Part Number	Wheel Qty.	Pitch x Quantity P=30	Pitch x Quantity P=35	P=30	P=35
3	3	85	100		
4	4	115	135		
5	5	145	170		
6	6	175	205		
7	7	205	240		
8	8	235	275		
9	9	265	310		
10	10	295	345		
11	11	325	380		
12	12	355	415		
13	13	385	450		
14	14	415	485		
15	15	445	520		
16	16	475	555		
17	17	505	590		
18	18	535	625		
19	19	565	660		
20	20	595	695		
21	21	625	730		
22	22	655	765		
23	23	685	800		
24	24	715	835		
25	25	745	870		
26	26	775	905		
27	27	805	940		
28	28	835	975		
29	29	865	-		
30	30	895	-		
31	31	925	-		
32	32	955	-		
33	33	985	-		

Ordering Example: **CRONK** - 20

Alterations: **CC** - (CC)

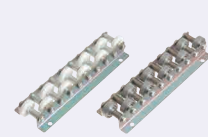
Alterations	Code	Spec.
Change C3 to C8	CC	Chamfer frame corners Change dimensions. [Ordering Code] CC



# Roller Carriers (Zigzag Type)

■Features: Zigzag Type has short pitch, and is a product that reduces backlash of work.

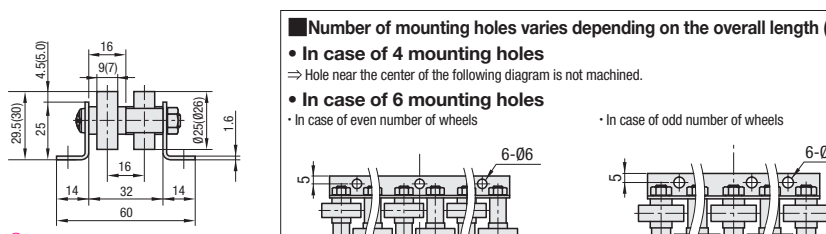
■Zigzag Type



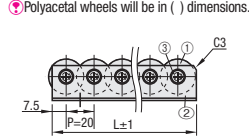
Type	Material	Surface Treatment
P=20	①Rollers Bearing ②Frame ③Screw, Nut	①Rollers ②Frame ③Screw, Nut
<b>CRONM</b>	Steel	Trivalent Chromate
<b>CROJM</b>	Polyacetal	Trivalent Chromate

■Number of mounting holes varies depending on the overall length (L).

- In case of 4 mounting holes  
⇒ Hole near the center of the following diagram is not machined.
- In case of 6 mounting holes  
• In case of even number of wheels
- In case of odd number of wheels



Polycetal wheels will be in ( ) dimensions.



■Allowable Load per Wheel

Wheel Material	Allowable Load
Steel	30kgf(294N)
Polyacetal	20kgf(196N)

Zigzag Type		Overall Length (L)		Unit Price	
Part Number	Wheel Qty.	Pitch x Quantity P=20	Pitch x Quantity P=20	CRONM	CROJM
3	3	55			
4	4	75			
5	5	95			
6	6	115			
7	7	135			
8	8	155			
9	9	175			
10	10	195			
11	11	215			
12	12	235			
13	13	255			
14	14	275			
15	15	295			
16	16	315			
17	17	335			
18	18	355			
19	19	375			
20	20	395			
21	21	415			
22	22	435			
23	23	455			
24	24	475			
25	25	495			

Zigzag Type		Overall Length (L)		Unit Price	
Part Number	Wheel Qty.	Pitch x Quantity P=20	Pitch x Quantity P=20	CRONM	CROJM
26	26	515			
27	27	535			
28	28	555			
29	29	575			
30	30	595			
31	31	615			
32	32	635			
33	33	655			
34	34	675			
35	35	695			
36	36	715			
37	37	735			
38	38	755			
39	39	775			
40	40	795			
41	41	815			
42	42	835			
43	43	855			
44	44	875			
45	45	895			
46	46	915			
47	47	935			
48	48	955			
49	49	975			
50	50	995			

Ordering Example: **CRONK** - 20

Alterations: **CC** - (CC)

Alterations	Code	Spec.
Change C3 to C8	CC	Chamfer frame corners Change dimensions. [Ordering Code] CC