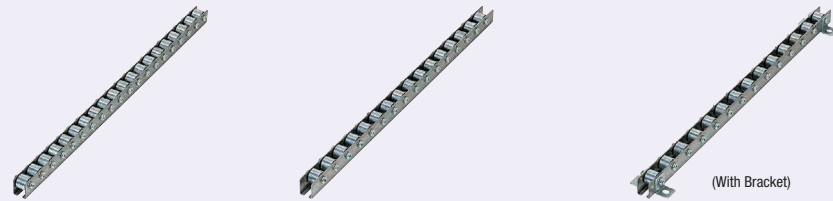


Roller Carriers

Roller Width 15mm Type

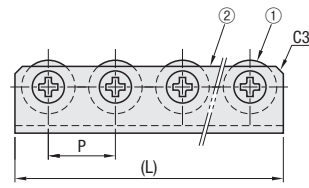
■ **Features:** Lightweight as compared to Roller Conveyor, and can be easily installed at various locations.



RoHS10

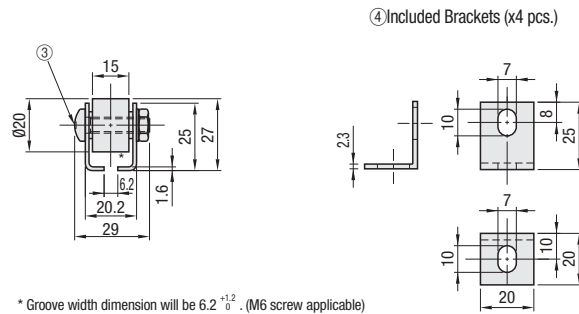
Type	Roller Pitch			① Rollers		Bearing	② Frame		③ Screw, Nut		④ Bracket	
	P=25	P=30	P=35	Material	Surface Treatment		Material	Surface Treatment	Material	Surface Treatment	Material	Surface Treatment
No Bracket	CRONEY	CRONFY	CRONY	Steel	Trivalent Chromate	Steel	SPHC-P	Hot Dip Plating*	Steel	Trivalent Chromate	Steel	Trivalent Chromate
With Bracket	CRONEYB	CRONFYB	CRONYB									

* Hot Dip Plating (Fused Plating of Zinc, Aluminum and Magnesium)



Allowable Load per Wheel

Wheel Material	Allowable Load
Steel, Stainless Steel	30kgf(294N)



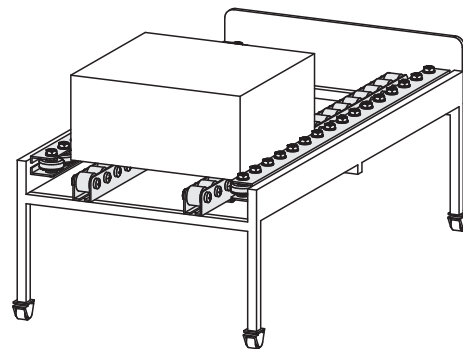
* Groove width dimension will be 6.2^{+1.2}, (M6 screw applicable)

Part Number	Type	Wheel Qty.	L			Unit Price	
			P=25	P=30	P=35	CRONEY CRONFY CRONY	CRONEYB CRONFYB CRONYB
2	No Bracket	2	(48)	(58)	(68)		
3	No Bracket	3	(73)	(88)	(103)		
4	No Bracket	4	(98)	(118)	(138)		
5	No Bracket	5	(123)	(148)	(173)		
6	No Bracket	6	(148)	(178)	(208)		
7	No Bracket	7	(173)	(208)	(243)		
8	No Bracket	8	(198)	(238)	(278)		
9	No Bracket	9	(223)	(268)	(313)		
10	No Bracket	10	(248)	(298)	(348)		
11	No Bracket	11	(273)	(328)	(383)		
12	No Bracket	12	(298)	(358)	(418)		
13	No Bracket	13	(323)	(388)	(453)		
14	No Bracket	14	(348)	(418)	(488)		
15	No Bracket	15	(373)	(448)	(523)		
16	No Bracket	16	(398)	(478)	(558)		
17	No Bracket	17	(423)	(508)	(593)		
18	No Bracket	18	(448)	(538)	(628)		
19	With Bracket	19	(473)	(568)	(663)		
20	With Bracket	20	(498)	(598)	(698)		
21	With Bracket	21	(523)	(628)	(733)		
22	With Bracket	22	(548)	(658)	(768)		
23	With Bracket	23	(573)	(688)	(803)		
24	With Bracket	24	(598)	(718)	(838)		
25	With Bracket	25	(623)	(748)	(873)		
26	With Bracket	26	(648)	(778)	(908)		
27	With Bracket	27	(673)	(808)	(943)		
28	With Bracket	28	(698)	(838)	(978)		
29	With Bracket	29	(723)	(868)	(1013)		
30	With Bracket	30	(748)	(898)	(1048)		
31	With Bracket	31	(773)	(928)	(1083)		
32	With Bracket	32	(798)	(958)	(1118)		
33	With Bracket	33	(823)	(988)	(1153)		

Ordering Example
Part Number
CRONEY15

■ **Method for Mounting Brackets**
Remove 2 nuts from where the bracket is desired to be mounted, and mount the bracket using the included screws.

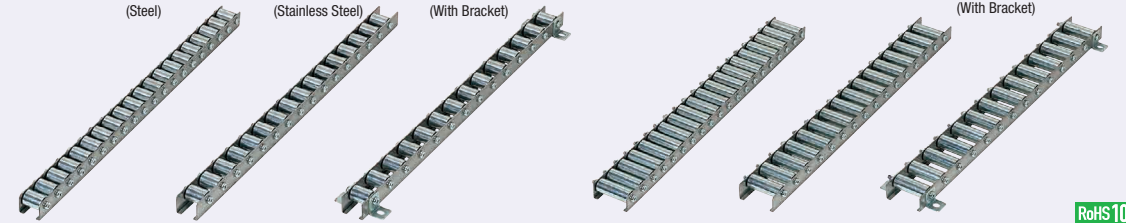
EX Example



Roller Carriers

Roller Width 25, 50mm Type

■ **Features:** Lightweight as compared to Roller Conveyor, and can be easily installed at various locations.



RoHS10

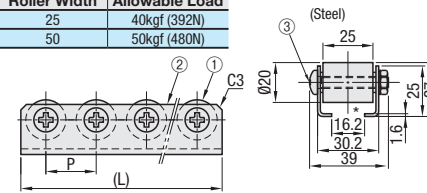
Type	Roller Width	Bracket	Roller Pitch			① Roller		Bearing	② Frame		③ Screw, Nut		④ Bracket	
			P=25	P=30	P=35	Material	Surface Treatment		Material	Surface Treatment	Material	Surface Treatment	Material	Surface Treatment
25	No Bracket		CRONEW	CRONFW	CRONW	Steel	Trivalent Chromate Hard Chrome Plating	Steel	Steel	Hot Dip Plating*	Steel	Trivalent Chromate	-	-
	With Bracket		CRONEWB	CRONFWB	CRONWB								Steel	Trivalent Chromate
	With Bracket		CROCWB	CROFWB	CROWB								Stainless Steel	Trivalent Chromate
50	No Bracket		CRONEX	CRONFX	CRONX	Steel	Trivalent Chromate	Steel	Steel	Hot Dip Plating*	Steel	Trivalent Chromate	-	-
	With Bracket		CRONEXB	CRONFXB	CRONXB								Stainless Steel	Trivalent Chromate
	With Bracket		CROEXB	CROFXB	CROXB								Steel	Trivalent Chromate

* Hot Dip Plating (Fused Plating of Zinc, Aluminum and Magnesium)

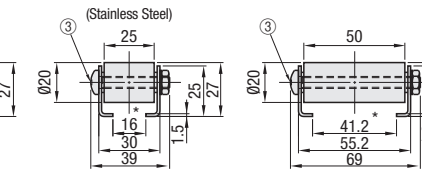
Allowable Load per Wheel

Roller Width	Allowable Load
25	40kgf (392N)
50	50kgf (480N)

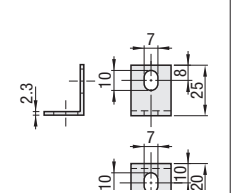
Roller Width 25mm



Roller Width 50mm



Included Brackets (x4 pcs.)



* The groove dim. for 25mm width roller: 16.2^{+1.2} (steel) or 16^{+1.2} (stainless steel), for 50mm width roller: 41.2^{+1.2}

Part Number	Type	Wheel Qty.	L			Unit Price									
			P=25	P=30	P=35	Roller Width 25mm			Roller Width 50mm						
						CRONW	CRONFW CRONWB	CROCWB	CROFWB	CROWB	CRONEX CRONFX CRONX	CRONEXB CRONFXB CRONXB			
2	Roller Width 25mm	2	(48)	(58)	(68)										
3	No Bracket	3	(73)	(88)	(103)										
4	CRONEW	4	(98)	(118)	(138)										
5	CRONFW	5	(123)	(148)	(173)										
6	CRONWB	6	(148)	(178)	(208)										
7	CROCWB	7	(173)	(208)	(243)										
8	CROFWB	8	(198)	(238)	(278)										
9	CROWB	9	(223)	(268)	(313)										
10		10	(248)	(298)	(348)										
11	With Bracket	11	(273)	(328)	(383)										
12	CRONEWB	12	(298)	(358)	(418)										
13	CRONFWB	13	(323)	(388)	(453)										
14	CRONWB	14	(348)	(418)	(488)										
15	CROCWB	15	(373)	(448)	(523)										
16	CROFWB	16	(398)	(478)	(558)										
17	CROWB	17	(423)	(508)	(593)										
18		18	(448)	(538)	(628)										
19		19	(473)	(568)	(663)										
20		20	(498)	(598)	(698)										
21	Roller Width 50mm	21	(523)	(628)	(733)										
22	No Bracket	22	(548)	(658)	(768)										
23	CRONEX	23	(573)	(688)	(803)										
24	CRONFX	24	(598)	(718)	(838)										
25	CRONX	25	(623)	(748)	(873)										
26		26	(648)	(778)	(908)										
27		27	(673)	(808)	(943)										
28	With Bracket	28	(698)	(838)	(978)										
29	CRONEXB	29	(723)	(868)	(1013)										
30	CRONFXB	30	(748)	(898)	(1048)										
31	CRONXB	31	(773)	(928)	(1083)										
32		32	(798)	(958)	(1118)										
33		33	(823)	(988)	(1153)										

For loading weight, 40kgf (392N) per wheel for 25mm width Rollers, and 50kgf (490N) for 50mm width Rollers.

Ordering Example
Part Number
CRONEW15

■ **Method for Mounting Brackets**
Remove 2 nuts from where the bracket is desired to be mounted, and mount the bracket using the included screws.