

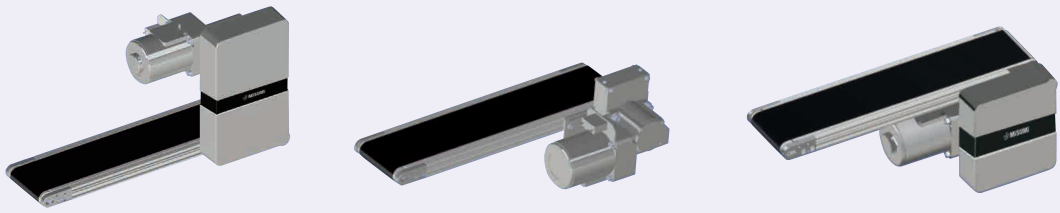
Flat Belt Conveyors - Motor Mounting Position Selectable

With Meandering Prevention Crosspiece, Head Drive, 2-Groove Frame (Pulley Dia. 30mm)

Dedicated web site <http://fa.misumi.jp/cvs/>

Conveyor selecting, component purchases, and easy search for maintenance parts are available.

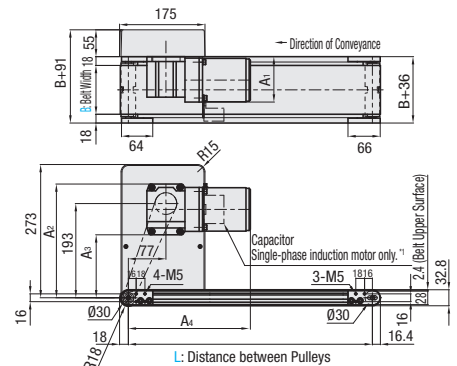
■ **Features:** The motor mounting position is selectable for either top mounting, bottom mounting, or side mounting. Adoption of orthogonal shaft gear head solves the mounting space issue. Meandering is prevented by crosspiece integrated belt.



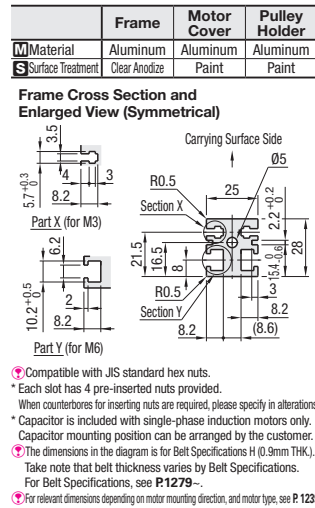
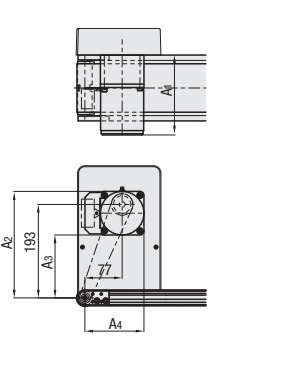
CVMB

Top Mount Type (TM)

Motor mounting position specifications for **TM1, TM2, and TM3**

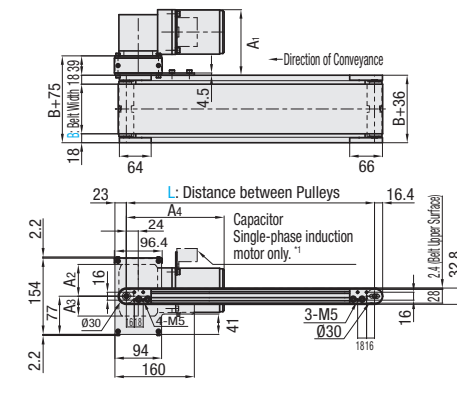


Motor mounting position specifications for **TM5**

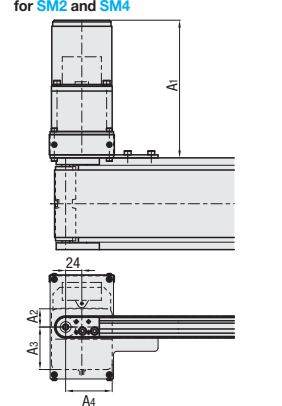


Side Mount Type (SM)

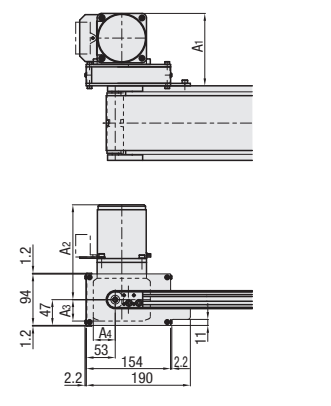
Motor mounting position specifications for **SM1 and SM3**



Motor mounting position specifications for **SM2 and SM4**

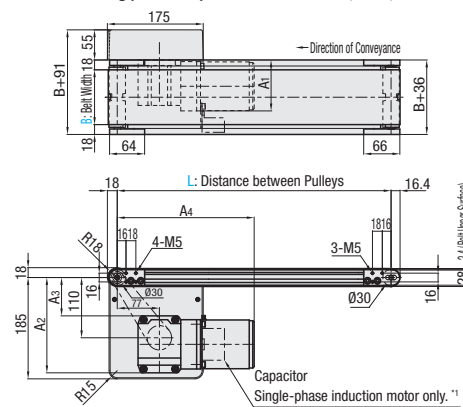


Motor mounting position specifications for **SM5**

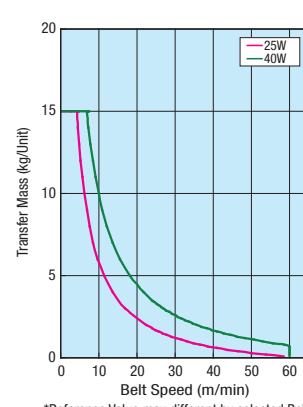


Bottom Mount Type (BM)

Motor mounting position specifications for **BM1, BM3, and BM4**



■ **Conveying Capacity (TM, SM, BM)**



■ **Gearhead Reduction Ratio**

*May decrease depending on load condition.

Gear Head Reduction Ratio	Belt Speed (m/min)		Belt Speed (m/min)	
	TM, BM	SM	TM, BM	SM
5	56.4	67.7	28.2	33.8
7.5	37.6	45.1	18.8	22.6
9	31.3	37.6	15.7	18.8
12.5	22.6	27.1	11.3	13.5
15	18.8	22.6	9.4	11.3
18	15.7	18.8	7.8	9.4
25	11.3	13.5	5.6	6.8
30	9.4	11.3	4.7	5.6
36	7.8	9.4	3.9	4.7
50	5.6	6.8	2.8	3.4
60	4.7	5.6	2.4	2.8
75	3.8	4.5	1.9	2.3
90	3.1	3.8	1.6	1.9
100	2.8	3.4	1.4	1.7
120	2.4	2.8	1.2	1.4
150	1.9	2.3	0.9	1.1
180	1.6	1.9	0.8	0.9

Part Number	Type	Motor Mounting Position	B		L	Motor		Gearhead Reduction Ratio	Belt Specification	Motor Manufacturer Selection
			10mm Increment	5mm Increment		Output (W)	Voltage (V)			
CVMB	TM1 SM1 BM1 TM2 SM2 TM3 SM3 BM3 SM4 BM4 TM5 SM5	* For details, see Motor Mounting Position Selection Table.	50-300	200-2000	25 40	T100 (Single-phase)	IM (Induction Motor)	5 7.5 9 12.5 15 18 25 30 36 50 60 75 90 100 120 150 180	H (General Specifications, Green) W (General Specifications, White) G (For Sliding, Green) S (For Sliding, White) D (For Electronic Parts Transfer) F (For Food Transfer, White) O (Oil Resistant, Navy Blue) N (Non-adhesive, White) J (No Belt)	A (Panasonic Motor) B (Oriental Motor) *SCM (Variable Speed Motor) is not selectable for A. *When output is 25, Panasonic Motor is not applicable.
						T200 (Single-phase)	SCM (Variable Speed Motor)			
						S200 (3-Phase)	IM (Induction Motor)			
						NM (No Motor)	NM (No Motor)	NH (No Gearhead)		R (No Motor)

*For other belt specifications, see Belt Selection Table below.

- Connect the motor so that the belt rotates in the direction of conveyance. For connection diagram, and details of motor and inverter, see P.1267 onward.
- When "No motor, gearhead" is selected, the motor mounting hole pitch will vary depending on the motor's power rating. Please see Technical Information in our Conveyor Selection web site for the dimension details.
- When "No motor, gearhead" is selected, this unit will be delivered unassembled. The customer is to assemble the unit according to the included assembly instructions. See our Conveyor Selection site for assembly procedures and packaging details.
- A worm gear is used for orthogonal shaft gear head. Note, therefore, that the motor cannot be rotated from the belt side for maintenance work, etc.
- Note that warpage might occur in belts with meandering prevention crosspiece depending on the number of plies (thickness).

Motor Mounting Position Selection Table

Gearhead	Motor Mounting Position		
	Top Mount	Side Mount	Bottom Mount
Orthogonal Shaft			
Parallel Shaft			

*For relevant dimensions depending on motor mounting direction, and motor type, see P.1239.

Belt Selection Table

Belt Specification	Standard Belt (Body Price Only)	Optional Belt 1	Optional Belt 2	No Belt
General Purpose	H (Green), W (White)	-	-	J (No Belt)
For Sliding	G (Green), S (White)	-	-	
For Inclined Transfer	-	-	-	
Grip Type	-	-	GG (Green), GW (White)	
Oil Resistant	O (Green)	OW (White)	-	
Non-adhesive	N (White)	NB (Sky Blue), NBG (Lime Green) HH (Green), HW (White)	-	
For Food Transfer	-	KW (White), KSB (Sky Blue), PHB (Sky Blue)	-	
For Electronic Parts Transfer	D (Black)	-	-	

*For Flat Belt details, see P.1279-.

*In case of selecting Optional Belts, please select motor manufacturer A or B (Motor C is applicable for Standard Belt only).

Part Number	B	Body Price 1 ~ 2 pcs(s).																		
		L200-300	L305-400	L405-500	L505-600	L605-700	L705-800	L805-900	L905-1000	L1005-1100	L1105-1200	L1205-1300	L1305-1400	L1405-1500	L1505-1600	L1605-1700	L1705-1800	L1805-1900	L1905-2000	
CVMBTM□ CVMBBM□	50-100	-	-	-	-	-	-	-	-	-	-	-	-	-	-	-	-	-	-	-
	110-150	-	-	-	-	-	-	-	-	-	-	-	-	-	-	-	-	-	-	-
	160-200	-	-	-	-	-	-	-	-	-	-	-	-	-	-	-	-	-	-	-
	210-250	-	-	-	-	-	-	-	-	-	-	-	-	-	-	-	-	-	-	-
CVMBSM□	50-100	-	-	-	-	-	-	-	-	-	-	-	-	-	-	-	-	-	-	-
	110-150	-	-	-	-	-	-	-	-	-	-	-	-	-	-	-	-	-	-	-
	160-200	-	-	-	-	-	-	-	-	-	-	-	-	-	-	-	-	-	-	-
	210-250	-	-	-	-	-	-	-	-	-	-	-	-	-	-	-	-	-	-	-
	260-300	-	-	-	-	-	-	-	-	-	-	-	-	-	-	-	-	-	-	-

*For orders larger than indicated quantity, please check with WOS.

Motor Spec. Price	Motor Output/Specification			Motor			Belt Specification	Motor Manufacturer Selection
	TYPE	Motor Mounting Position	Output	Voltage	Specification	Gearhead Reduction Ratio		
25W 40W	IM SCM							A

Gearhead Spec. Price	Mounting Position A (Panasonic Motor)		B (Oriental Motor)	
	TM5, SM5			
	TM1-3 SM1-4 BM1-4			

Ex.) For Optional Belt 1 CVMBTM1-100-1000-40-T100-SCM-25-HY-B
Ex.) For No Motor, Gearhead CVMBTM5-100-1000-25-NM-NH-H-R

Body Price + Motor Spec. Price + Gearhead Spec. Price + Belt Spec. Price = Unit Price

Alterations

- Motor Position Reversed
- Additional Counterbores
- Motor Cover with Window
- Brackets for Speed Controller Included
- Post-Assembly Insertion Nuts Included
- Motor with Terminal Box
- Stands (Legs)

For details of alterations, see P.1264 onward.