

Guide Rail Brackets

Engineering Plastic Rails

Guide Rails and Brackets

Round Type

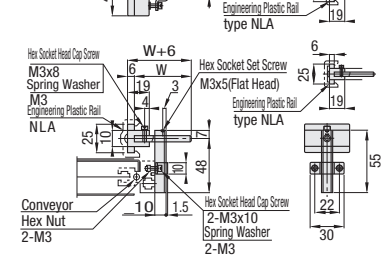
Conveyor Engineering Plastic Guide Rail Brackets - Standard Type



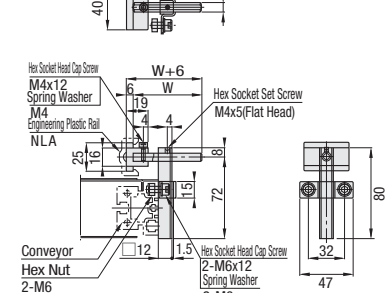
RoHS 10

CGX (W=50, 60) CGXL (W=100)

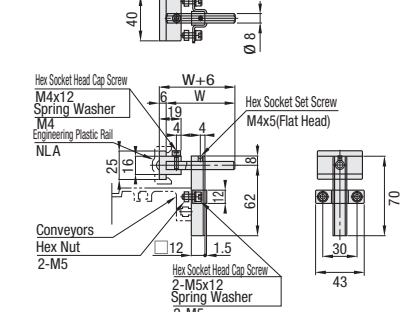
No.55



No.80



No.70



Material: SUS304

Part Number		W	Unit Price
Type	No.		
CGX (W=50,60)	55	50	
	70	60	
	80		
CGXL (W=100)	55	100	
	70		
	80		

Ordering Example
Part Number
Type No.
CGX 55

⚠ NO.55 ~ 80 have different bolt size for the conveyor mount part. Select an appropriate bolt according to the conveyor you are using.
⚠ Engineering plastic rail is not included.

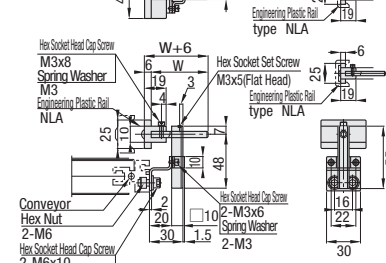
Conveyor Engineering Plastic Guide Rail Brackets - Offset Type



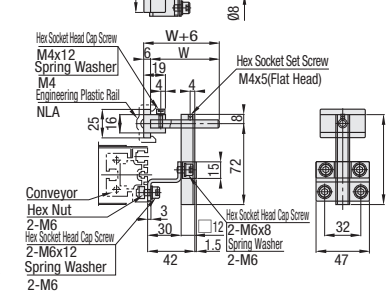
RoHS 10

CGY (W=50, 60) CGYL (W=100)

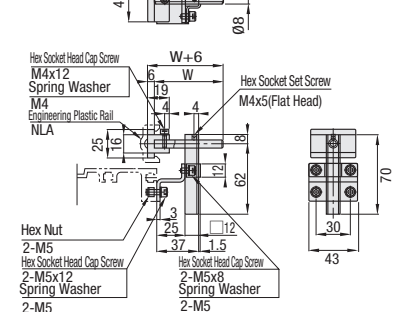
No.55



No.80



No.70



Material: SUS304

Part Number		W	Unit Price
Type	No.		
CGY (W=50,60)	55	50	
	70	60	
	80		
CGYL (W=100)	55	100	
	70		
	80		

Ordering Example
Part Number
Type No.
CGY 70

⚠ NO.55 ~ 80 have different bolt size for the conveyor mount part. Select an appropriate bolt according to the conveyor you are using.
⚠ Engineering plastic rail is not included.

Alterations

Part Number
Type No. - (CL)

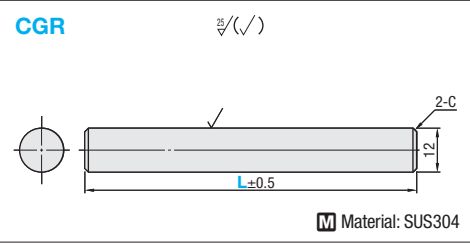
CGX 70 - CL
CGYL 80 - CL

Alterations	Code	Spec.
Change to Product with Clamp Lever	CL	Hex socket set screws are replaced with the clamp lever (Orange, CLDMC4-8-M equivalent). ⚠ Not applicable to CGX55/CGXL55/CGY55/CGYL55

Round Bar Conveyor Guide Rails



RoHS 10



Material: SUS304

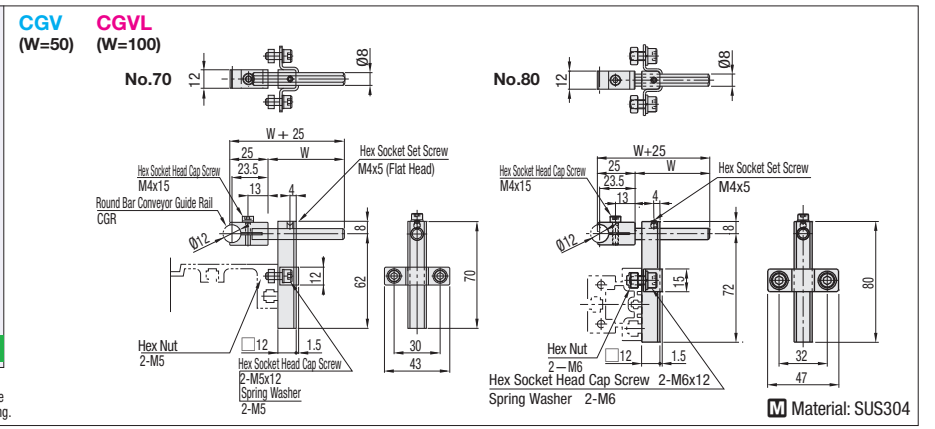
Part Number	L 5mm Increment	Unit Price
CGR	150 ~ 300	
	305 ~ 500	
	505 ~ 750	
	755 ~ 1000	

Ordering Example
Part Number - L
CGR - 380

Round Bar Conveyor Guide Rail Brackets - Standard Type



RoHS 10



Material: SUS304

⚠ NO.55 ~ 80 have different bolt size for the conveyor mount part. Select an appropriate bolt according to the conveyor you are using.

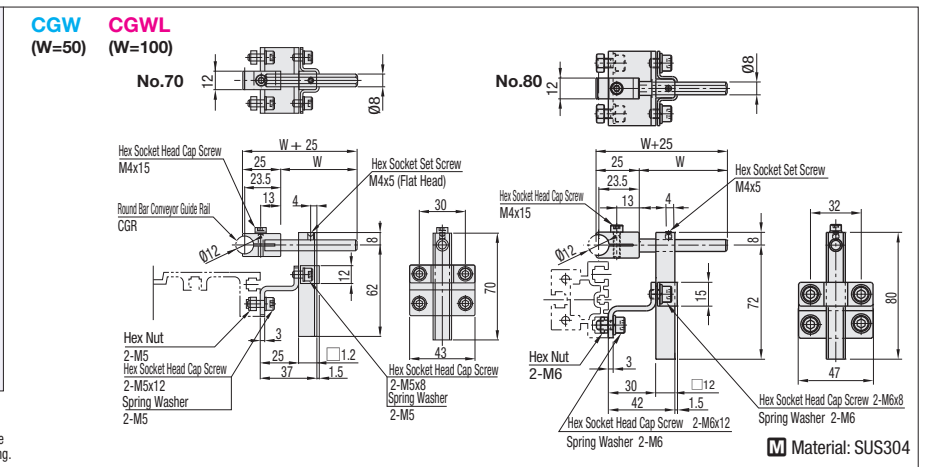
Part Number		W	Unit Price
Type	No.		
CGV (W=50)	70	50	
	80		
CGVL (W=100)	70	100	
	80		

Ordering Example
Part Number
Type No.
CGV 70

Round Bar Conveyor Guide Rail Brackets - Offset Type



RoHS 10



Material: SUS304

⚠ NO.55 ~ 80 have different bolt size for the conveyor mount part. Select an appropriate bolt according to the conveyor you are using.

Part Number		W	Unit Price
Type	No.		
CGW (W=50)	70	50	
	80		
CGWL (W=100)	70	100	
	80		

Alterations
Part Number
Type No. - (CL)
CGW 70 - CL
CGWL 80 - CL

Alterations	Code	Spec.
Change to Product with Clamp Lever	CL	Hex socket set screws are replaced with the clamp lever (Orange, CLDMC4-8-M equivalent).

Ordering Example
Part Number
Type No.
CGW 80