

# Pulleys for Round Belts

Double

# Idlers for Round Belts

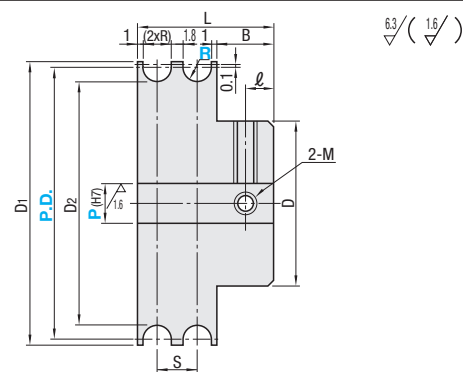
Double

## Pulleys for Round Belts



RoHS10

Type	Material	Surface Treatment	Accessory
MBWAC	Aluminum Alloy	Clear Anodize	Set Screw 2 pcs. (SUS304)
MBWS	SUS304	-	-



Part Number Type	P.D.	R	Shaft Bore Specification, I.D. P (H7) 1mm Increment	S	D	D1	D2	L	l	B	M (Coarse)	Accessory: Set Screw	Applicable Round Belt Dia.	Unit Price	
														MBWAC	MBWS
MBWAC MBWS	15	1.1	3~8	4	12	17	13	14	3	5.8	M3	M3x3	2		
	20		16		22	18									
	30		20		32	28									
	20	1.6	3~10	5	16	22	17	16	3	5.8	M3	M3x3	3		
	30		20		32	27									
	40		20		42	37									
	45	2.1	5~20	6	30	47	42	18	3	5.8	M3	M3x3	4		
	23		20		25	19									
	28		20		30	24									
	30	2.6	5~12	7	20	32	26	20	4	7.8	M4	M4x3	5		
	40		20		42	36									
	45		25		47	41									
	48	3.1	5~18	8	30	57	44	22	4	7.8	M4	M4x3	6		
	28		20		30	23									
	40		20		42	35									
	50	4.1	5~20	10	30	52	45	22	3	5.8	M3	M3x3	6		
	28		22		30	22									
	38		22		40	32									
	48	5.1	5~12	12	30	50	42	24	4	7.8	M4	M4x3	6		
	50		30		52	44									
60	30		62		54										
75	4.1	5~20	10	30	77	69	30	5	9.8	M5	M5x4	8			
100		30		102	94										
100		30		102	94										
60	5.1	5~20	12	34	62	50	34	5	9.8	M5	M5x4	10			
100		34		102	90										
140		34		142	130										

For MBWAC, surface treatment may not be applied to shaft bores.

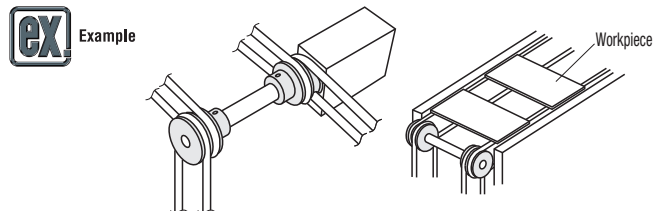
Ordering Example: Part Number - R - Shaft Bore Specification, I.D.  
**MBWS30 - 1.6 - P5**

Alterations Example: Part Number - R - Shaft Bore Specification, I.D. - (DC)  
**MBWA40 - 2.6 - P8 - DC**

**Alterations Code** O.D. Cut **DC**  
 Reduces D1 diameter by cutting.  
 Ordering Code: DC

Available R	DC
1.1	PD.+0.8
1.6	PD.+1.2
2.1	PD.+1.6
2.6	PD.+1.8

Spec.   
 Applicable only to products with R 1.1, 1.6, 2.1 and 2.6.  
 Surface treatment may not be applied to the machined area.

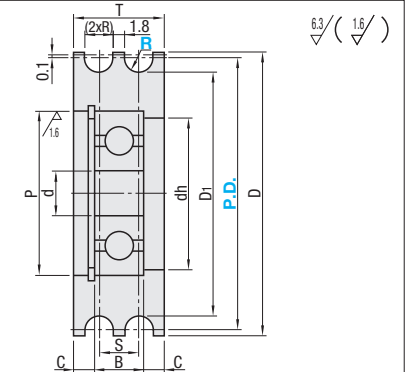


## Idlers for Round Belts



RoHS10

Type	Bearing	Main Body Material	Surface Treatment	Accessory
MBXAC	Stainless Steel	Aluminum Alloy	Clear Anodize	Retaining Ring (SUS304)
MBXS	Stainless Steel	SUS304	-	-



\* Bearing Accuracy: JIS B1514 Class 0  
 Bearings are press-fit.  
 Cannot be disassembled.

Part Number Type	P.D.	R	S	d	P	dh	D	D1	T	B	C	Bearing	Applicable Round Belt Dia.	Unit Price		
														MBXAC	MBXS	
MBXAC MBXS	15	1.1	4	3	10	8	17	13	9	4		623ZZ	2			
	20			4	13	11	22	18	10	5	2.5	624ZZ				
	30			6	19	16	32	28	11	6	626ZZ					
	20	1.6	5	4	13	11	22	17	11	5	3	624ZZ	3			
	30			6	19	16	32	27	6	2.5	626ZZ					
	40			10	26	23	42	37	14	8	3	6000ZZ				
	45	2.1	6	6	15	13	25	19	13	5	4	696ZZ	4			
	28				19	16	30	24	6	3.5	626ZZ					
	30				19	16	32	26	42	36	14	8		3	6000ZZ	
	40	2.6	7	7	8	19	16	30	23	15	6	4.5	698ZZ	5		
	45				10	26	23	42	35	8	4	6000ZZ				
	48				12	32	27	52	45	16	10	3	6201ZZ			
	28	3.1	8	8	6	19	16	30	22	17	6	5.5	626ZZ	6		
	38				10	26	23	40	32	8	5	6000ZZ				
	48				10	26	23	50	42	10	4	6201ZZ				
	50	4.1	10	10	12	32	27	52	44	18	10	4	6201ZZ	8		
	60				12	32	27	62	54	10	5.5	6201ZZ				
	75				12	32	27	77	69	11	5	6202ZZ				
	100	5.1	12	12	12	32	27	102	92	21	10	7	6202ZZ	10		
	50				15	35	30	62	50	11	5	6202ZZ				
60	15				35	30	102	90	25	11	7	6202ZZ				
100				142	130											

For detailed bearing dimensions, see P989, 991.

Ordering Example: Part Number - R  
**MBXS30 - 1.6**

Alterations Example: Part Number - R - (DC)  
**MBXA40 - 2.6 - DC**

**Alterations Code** O.D. Cut **DC**  
 Reduces D diameter by cutting.  
 Ordering Code: DC

Available R	DC
1.1	PD.+0.8
1.6	PD.+1.2
2.1	PD.+1.6
2.6	PD.+1.8

Spec.   
 Applicable only to products with R 1.1, 1.6, 2.1 and 2.6.  
 Surface treatment may not be applied to the machined area.