

Screw Jacks / Leveling Screws

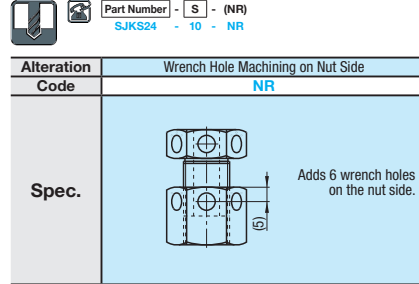
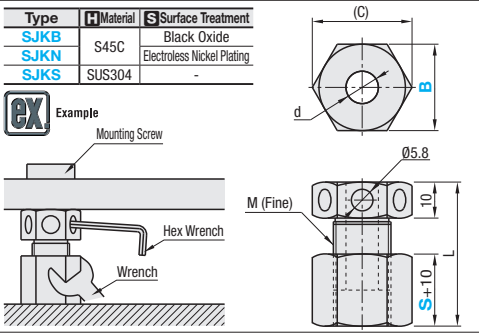
Standard, Large Holes for Adjustment with Wrench Flats

■ Features: Possible to finely adjust heights without machining a tapped hole on a plate.

■ Screw Jacks



RoHS 10



Part Number Type	B	S Selection (Stroke)	M (Fine)	MxPitch	d	L			Applicable Screw	Allowable Load (N)			Unit Price		
						S=10	S=20	S=30		(C)	S45C	SUS304	SJKB	SJKN	SJKS
SJKB	17	10 20 30	10	10x1.0	5.5	30-40	40-60	50-80	M5	332	198				
SJKN	19		12	12x1.0	7				M6	406	242				
SJKS	24		16	16x1.5	9				M8	535	320				
	27		20	20x1.5	11				M10	683	408				

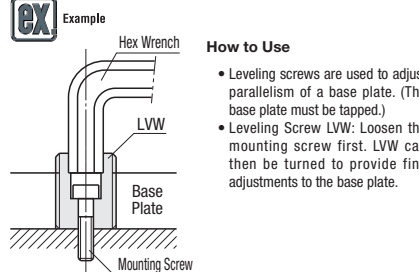
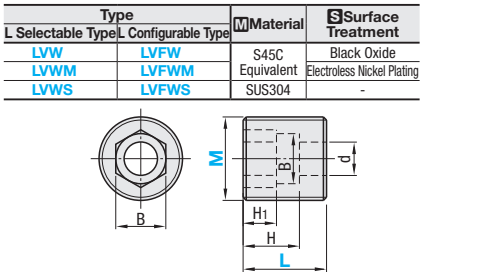
⚠ The allowable loads are theoretical reference values and not guaranteed values.

Ordering Example: Part Number - S
SJKB17 - 20

■ Leveling Screws Standard



RoHS 10



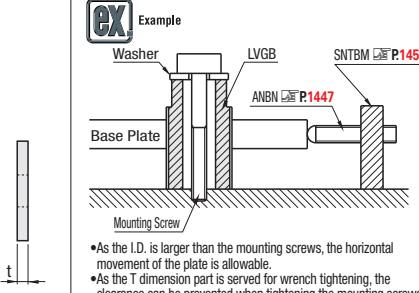
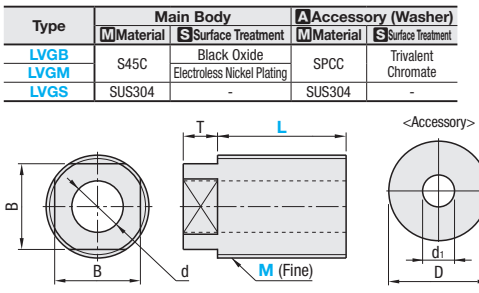
Part Number Type	M (Fine)	L Selectable	Configurable 1mm Increment	B	MxPitch (Fine)	d	H1	H	Applicable Screw	Unit Price		
										LVW	LVWM	LVWS
LVW	12	10 15 20	10-30	6	12x1.0	3.5	4	8.5	M3	L=10-30	L=35, 40	
LVWM	16	15 20 30	15-40	8	16x1.5	4.5	5	12	M4			
LVWS	20	15 20 25 35 40	15-40	10	20x1.5	5.5	6	13	M5			
	24	20 25 30 40	20-50	14	24x1.5	6.5	8	17	M6			
	30	25 30 40	25-60	17	30x1.5	9	10	22	M8			

Ordering Example: Part Number - L
LVW12 - 20

■ Leveling Screws Large Holes for Adjustment with Wrench Flats



RoHS 10



Part Number Type	M (Fine)	L Selection	B	MxPitch (Fine)	d	T	Applicable Screw	Accessory			Unit Price		
								LVGB, LVGM	D	LVGS	LVGB	LVGM	LVGS
LVGB	12	10 15 20	10	12x1.0	6	6	M4	10	4.5	1.6	10	4.5	1.5
LVGM	16	15 20 25 30	12	16x1.5	8	8	M5	16	5.5	2	12	5.5	2
LVGS	20	15 20 25 30 35 40	17	20x1.5	9	10	M6	16	6.5	3.2	13	6.5	3
	24	20 25 30 35 40	19	24x1.5	9	10	M6	16	6.5	3.2	13	6.5	3
	30	25 30 35 40	22	30x1.5	12	12	M8	20	8.5	3	22	8.5	3

Ordering Example: Part Number - L
LVGB20 - 40

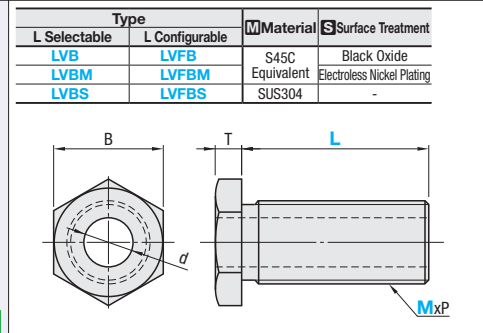
Leveling Bolts / Lock Nuts

Standard, Thick Wrench Flats

■ Leveling Bolts Standard



RoHS 10



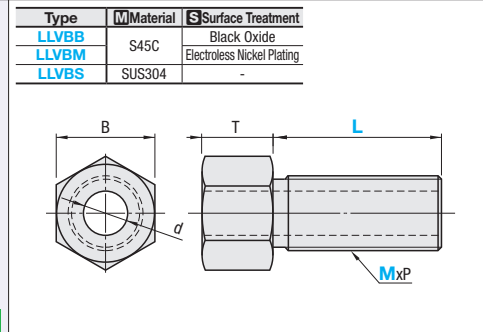
Part Number Type	M (Fine)	L Selectable	Configurable 1mm Increment	d	MxPitch (Fine)	T	B	Applicable Screw	Unit Price		
									LVB	LVBM	LVBS
LVB	8	5 10 15 20 25 30	5-50	3.5	8x0.75	4	13	M3	L=5-50	L=60-100	
LVBM	10	10 15 20 25 30 40 50	10-60	5.5	10x1.0	4	17	M4, 5			
LVBS	12	10 15 20 25 30 40 50	10-60	7	12x1.0	4	19	M6			
	16	15 20 25 30 40 50 60 80	15-80	9	16x1.5	5	22	M8			
	20	20 25 30 40 50 60 80	15-100	13	20x1.5	27	M10, 12				
	24	25 30 40 50 60 80	20-100	17	24x1.5	32	M16				
	30	30 40 50 80 100	25-120	23	30x1.5	36	M20				

Ordering Example: Part Number - L
LVB12 - 15
LVFB20 - 60

■ Leveling Bolts Thick Wrench Flats



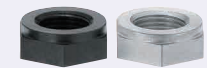
RoHS 10



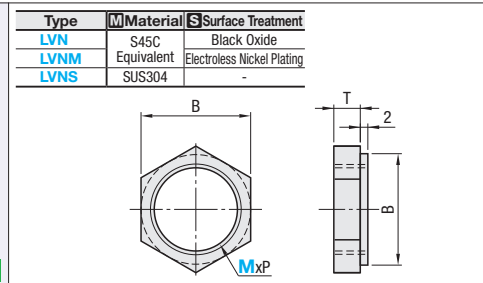
Part Number Type	M (Fine)	L 1mm Increment	d	MxPitch (Fine)	T	B	Applicable Screw	Unit Price		
								LLVBB	LLVBM	LLVBS
LLVBB	8	5-35	3.5	8x0.75	13	13	M3			
LLVBM	10	10-55	5.5	10x1.0	16	17	M4, 5			
LLVBS	12	10-60	7	12x1.0	18	19	M6			
	16	15-70	9	16x1.5	20	22	M8			
	20	15-80	13	20x1.5	24	27	M10, 12			
	24	20-80	17	24x1.5	28	32	M16			
	30	25-80	23	30x1.5	30	36	M20			

Ordering Example: Part Number - L
LLVBM24 - 30

■ Lock Nuts

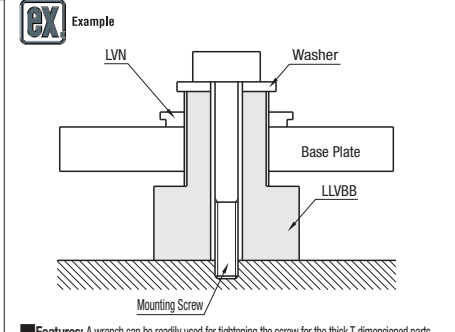
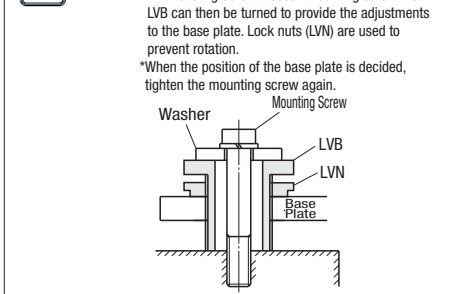


RoHS 10



Ordering Example: Part Number
LVN20

■ How to Use



■ Features: A wrench can be readily used for tightening the screw for the thick T dimensioned parts.

Part Number Type	M (Fine)	MxPitch (Fine)	T	B	Unit Price		
					LVN	LVNM	LVNS
LVN	8	8x0.75	4	13			
LVNM	10	10x1.0	4	17			
LVNS	12	12x1.0	4	19			
	16	16x1.5	5	22			
	20	20x1.5	5	27			
	24	24x1.5	7	32			
	30	30x1.5	8	36			