

Basic Guide Pins

Tip Shape Selectable, Eccentric

■ **Features:** Pin-shaped Basic Guides that can be used to various shapes of workpieces. Tip shapes and mounting parts are selectable.

Tip Shape Selectable



Mounting Part	Type			Material	Surface Treatment
	Sphere	Taper R	Tapered		
Tapped	RGPT	RGPR	RGPT	S45C Equivalent	Electroless Nickel Plating
	RGPS	RGPRS	RGPTS	SUS304	-
Threaded	RGPN	RGPRN	RGPTN	S45C Equivalent	Electroless Nickel Plating
	RGPNs	RGPRNs	RGPTNs	SUS304	-

Reference: $\tan 15^\circ = 0.267$ $\tan 45^\circ = 1$ $\tan 30^\circ = 0.577$ $\tan 60^\circ = 1.732$

* When $D = 6, \varnothing 2.0$
When $D = 20$ and $25, \varnothing 5.0$

• Spherical Type Tapped: $\varnothing 3.5$, SR D/2, $M1$, $Mx2$, $L_{-0.2}$, $D_{-0.3}$

• Taper R Type Tapped: $\varnothing 3.5$, 15° , R, $M1$, $Mx2$, $L_{-0.2}$, $D_{-0.3}$

• Taper Type Tapped: $\varnothing 3.5$, A° , $M1$, $Mx2$, $L_{-0.2}$, $D_{-0.3}$

• Threaded versions follow similar dimensions with $M2$ and $R0.5$.

Spherical Type

Part Number	D	L 1mm Increment	M1 (Coarse)	M2 (Coarse)
Tapped RGP	6	15~100	3	-
RGPS	8	20~100	4	5
	10	20~100	5	6
	12	21~100	6	7
Threaded RGPNS	15	26~100	8	-
	20	28~100	6	10
	25	31~100	-	-

Taper R Type

Part Number	D	L 1mm Increment	M1 (Coarse)	M2 (Coarse)	R
Tapped RGPR	6	20~100	3	-	1
RGPRS	8	24~100	4	5	1.5
	10	26~100	5	6	2
	12	32~100	6	7	-
Threaded RGPRN	15	40~100	8	-	-
RGPRNs	20	47~100	6	10	3
	25	57~100	-	-	-

Taper Type

Part Number	D	L 1mm Increment	E 0.5mm Increment	A 1° Increment	M1 (Coarse)	M2 (Coarse)
Tapped RGPT	6	20~100	For Tapped 5.0±E E≤L-M×3	1~45	3	-
RGPTS	8				4	5
	10				5	6
	12				6	7
Threaded RGPTN	15	20~100	For Threaded 5.0±E E≤L-7	1~45	6	10
RGPTNs	20				-	-
	25				-	-

⚠ Threaded Type is available only when $D \geq 10$.

⚠ L-Mx2≥(D x 1.85)-(R x 2.75)-1

⚠ D-2EtanA≥1.0 (Tip diameter $\varnothing 1.0$ or more)

Ordering Example: Part Number - L - E - A
RGPT10 - 40 - E10 - A5

D	Unit Price															
	Spherical Type				Taper R Type				Taper Type							
	L15-59	L60-100			L20-59	L60-100			L20-59	L60-100						
6	RGPT	RGPS	RGPN	RGPNs	RGPR	RGPRS	RGPRN	RGPRNs	RGPT	RGPTS	RGPTN	RGPTNs	RGPT	RGPTS	RGPTN	RGPTNs
8	-	-	-	-	-	-	-	-	-	-	-	-	-	-	-	-
10	-	-	-	-	-	-	-	-	-	-	-	-	-	-	-	-
12	-	-	-	-	-	-	-	-	-	-	-	-	-	-	-	-
15	-	-	-	-	-	-	-	-	-	-	-	-	-	-	-	-
20	-	-	-	-	-	-	-	-	-	-	-	-	-	-	-	-
25	-	-	-	-	-	-	-	-	-	-	-	-	-	-	-	-

Eccentric



Type	Material	Surface Treatment
RGPEZ	S45C Equivalent	Electroless Nickel Plating
RGPEZS	SUS304	-
RGPEZMC	MC Nylon	-

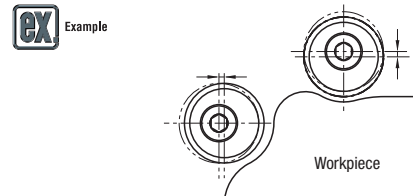
⚠ D6 has no counterbored hole. It only has through holes.

⚠ For MC nylon, D dimension tolerance is $^{+0.3}_{+0.1}$

Diagram: Eccentricity x, $D_{-0.3}$, $L_{-0.2}$, d_1 Through, d_2 Counterbore

Part Number	Type	D	L 10mm Increment	d1	d2	C	h				Applicable Screw	Eccentricity x	Unit Price				
							L10-40	L50-100	L110-120	L130, 140			L10-60	L70-100	L110-140	RGPEZ	RGPEZS
RGPEZ		6	10-30	3.5	-	0.2	-	-	-	M3	0.5	-	-	-	-	-	-
		12	20-40	4.5	8	0.2	5	-	-	M4	1	-	-	-	-	-	-
		15	20-50	4.5	8	0.2	5	-	-	M4	2	-	-	-	-	-	-
		20	30-70	5.5	9.5	1	6	20	-	M5	2	-	-	-	-	-	-
		25	30-120	6.6	11	1	7	25	-	M6	2	-	-	-	-	-	-
		30	30-140	9	14	1	9	30	-	M8	2	-	-	-	-	-	-

Ordering Example: Part Number - L
RGPEZ25 - 80



Basic Guides

Standard, Narrow

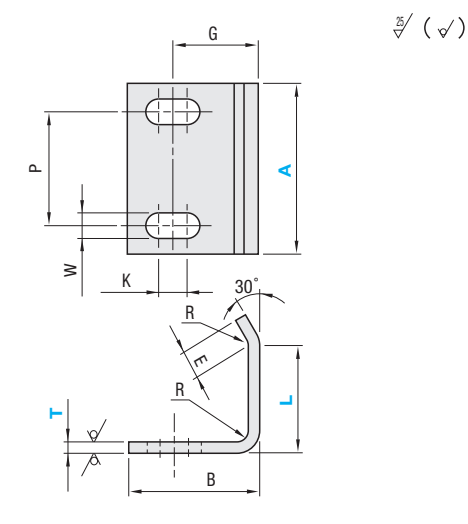
■ **Features:** This guide can be used as a tool to guide a workpiece into a fixture. For the Basic Guides for Welding Fixtures, see P.1749.

Standard



Part Number	Material	Surface Treatment
RGH	SPCC	-
RGHN		Electroless Nickel Plating
RGHS	SUS304	-

⚠ When plate thickness is 4.5, material is SPHC.



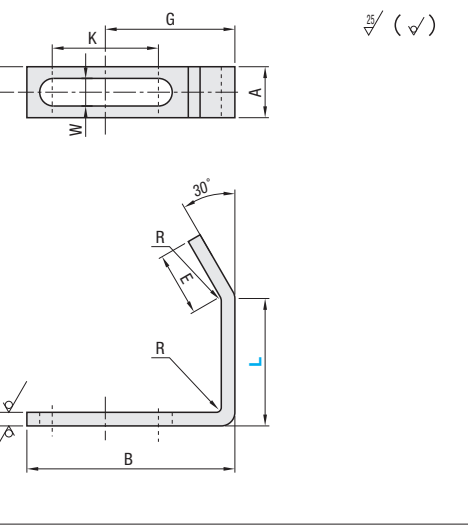
Part Number	T Selection		A Selection	L 5mm Increment	B	E	P	K	W	G	Rmax	Unit Price		
	SPCC	SUS304										RGH	RGHN	RGHS
RGH RGHN RGHS	1.6	1.5	20 30	15~50	23	6	12	10	3.5	13.8	1.5			
	2.3	2.0	30 40	20~60	26	10	20	10	4.5	16.3	2			
	3.2	3.0	35 40	30~80	32	15	20	10	6.5	21.3	3			
	4.5	4.0	35 40 50	40~100	35	20	20	10	6.5	23.3	4			

Narrow



Part Number	Material	Surface Treatment
RGN	SPCC	-
RGNN		Electroless Nickel Plating
RGNS	SUS304	-

⚠ When plate thickness is 4.5, material is SPHC.



Part Number	T Selection		L 5mm Increment	A	B	E	K	W	G	Rmax	Unit Price		
	SPCC	SUS304									RGN	RGNN	RGNS
RGN RGNN RGNS	2.3	2.0	10~50	10	40	10	24	4.5	23	2			
	3.2	3.0	20~70	12	52	15	30	6.5	31	3			
	4.5	4.0	20~70	12	55	20	30	6.5	34	4			

Ordering Example: • Standard
Part Number - T - A - L
RGH - 1.6 - 20 - 15

• Narrow
Part Number - T - L
RGNS - 3.0 - 40