

Toggle Clamps

Hold Down, Horizontal Standard Handle (Flange Base)

■ Features: MC01-2B is the size between MC01-2 and MC01-3.

1N=0.101972kgf

Part Number	MC01-1	MC01-S1
Body Material	SS400	SUS304
Surface Treatment	Trivalent Chromate	-
Tightening Force (N)	264.6	
Weight (g)	30	
Arm Open-Close Angle	90°	
Handle Open-Close Angle	73°	
Accessory	* Nylon Bolt	Stainless Steel Bolt
Unit Price		

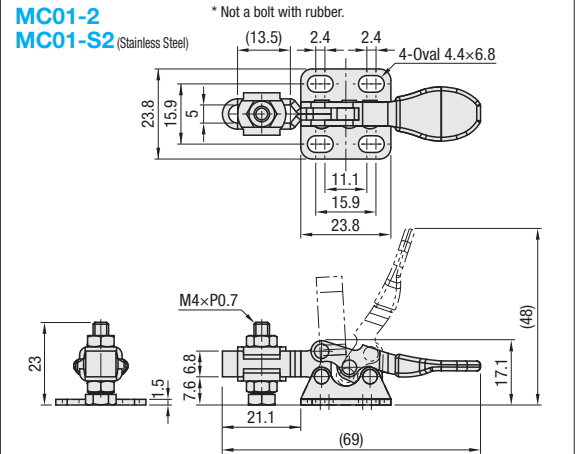
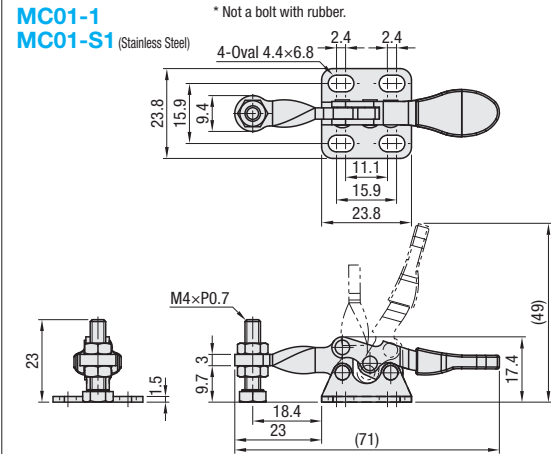


(Clamped)

Part Number	MC01-2	MC01-S2
Body Material	SS400	SUS304
Surface Treatment	Trivalent Chromate	-
Tightening Force (N)	264.6	
Weight (g)	35	
Arm Open-Close Angle	90°	
Handle Open-Close Angle	73°	
Accessory	* Nylon Bolt	Stainless Steel Bolt
Unit Price		



(Clamped)



Part Number	MC01-2B
Body Material	SS400
Surface Treatment	Trivalent Chromate
Tightening Force (N)	400
Weight (g)	60
Arm Open-Close Angle	90°
Handle Open-Close Angle	75°
Accessory	Bolt with Rubber Material: NBR Hardness: Shore A70
Unit Price	

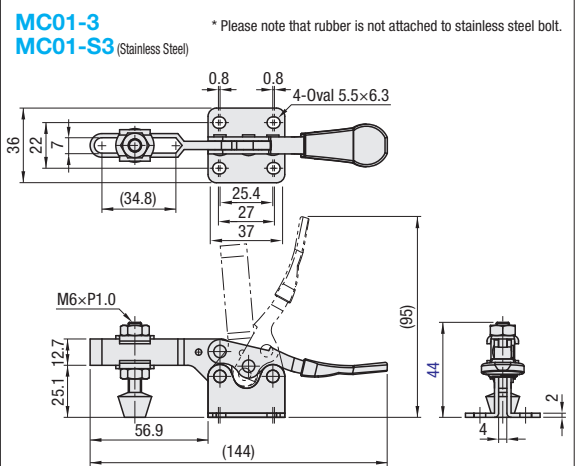
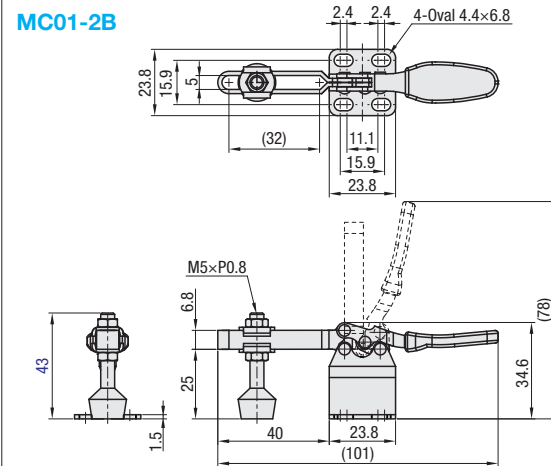


(Clamped)

Part Number	MC01-3	MC01-S3
Body Material	SS400	SUS304
Surface Treatment	Trivalent Chromate	-
Tightening Force (N)	882	
Weight (g)	130	
Arm Open-Close Angle	80°	
Handle Open-Close Angle	73°	
Accessory	Bolt with Rubber Material: NBR Hardness: Shore A70	* Stainless Steel Bolt
Unit Price		



(Clamped)



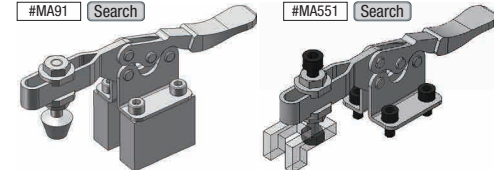
Ordering Example
Part Number
MC01-1



Combination of these app. examples can be selected on our website. Selection Procedure Details **P87**

e-Catalog Search Keyword

* Enter the search keyword in the search box on e-Catalog. The search result will be shown in "Modular Assembler" area.



Toggle Clamps

Hold Down, Horizontal Standard Handle (Flange Base) / High Arm Type (Flange Base)

■ Features: MC01-10 is larger than MC01-4 in size and clamping force. High Arm Type with an arm position higher than conventional products is adjustable without spacers.
(MC01H-3: 16mm higher than MC01-3; MC01H-4: 19mm higher than MC01-4)

1N=0.101972kgf

Part Number	MC01-4	MC01-S4
Body Material	SS400	SUS304
Surface Treatment	Trivalent Chromate	-
Tightening Force (N)	2352	
Weight (g)	265	
Arm Open-Close Angle	90°	
Handle Open-Close Angle	65°	
Accessory	Bolt with Rubber Material: NBR Hardness: Shore A70	* Stainless Steel Bolt
Unit Price		

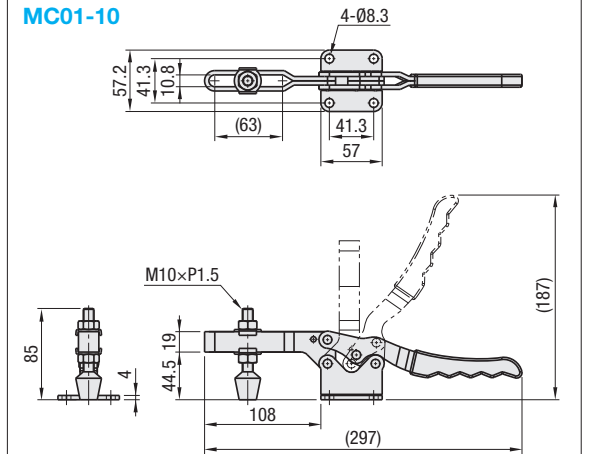
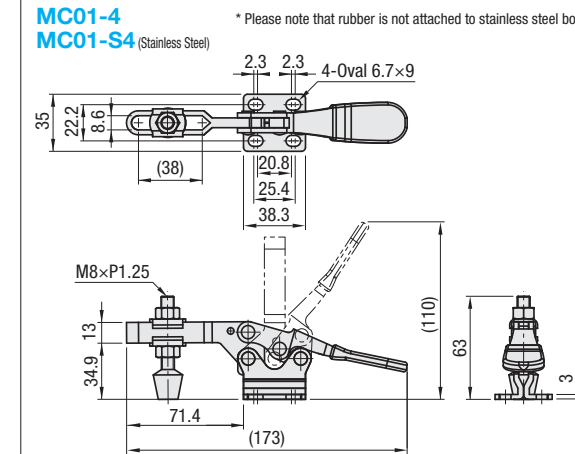


(Clamped)

Part Number	MC01-10
Body Material	SS400
Surface Treatment	Trivalent Chromate
Tightening Force (N)	3400
Weight (g)	640
Arm Open-Close Angle	90°
Handle Open-Close Angle	62°
Accessory	Bolt with Rubber Material: NBR Hardness: Shore A70
Unit Price	



(Clamped)



Part Number	MC01H-3
Body Material	SS400
Surface Treatment	Trivalent Chromate
Tightening Force (N)	900
Weight (g)	150
Arm Open-Close Angle	80°
Handle Open-Close Angle	73°
Accessory	Bolt with Rubber Material: NBR Hardness: Shore A70
Unit Price	

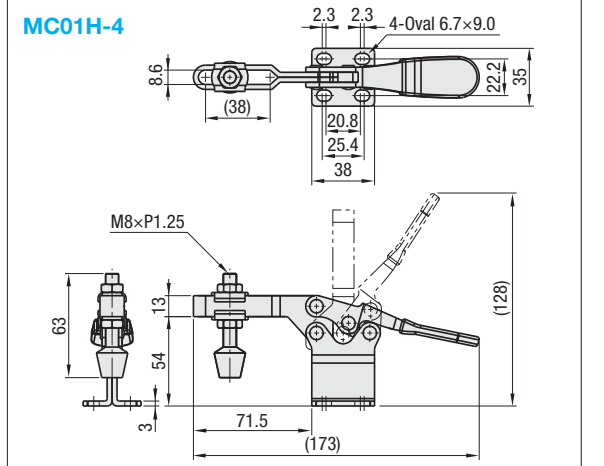
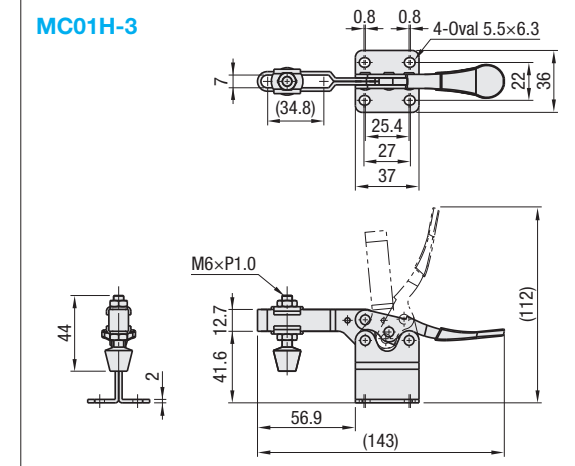


(Clamped)

Part Number	MC01H-4
Body Material	SS400
Surface Treatment	Trivalent Chromate
Tightening Force (N)	2270
Weight (g)	290
Arm Open-Close Angle	90°
Handle Open-Close Angle	65°
Accessory	Bolt with Rubber Material: NBR Hardness: Shore A70
Unit Price	



(Clamped)



Ordering Example
Part Number
MC01-10
MC01H-3



High Arm Type Features (Comparison with Conventional Products)

