


# Toggle Clamps


Hold Down, Horizontal Standard Handle (Straight Base)

1N=0.101972kgf



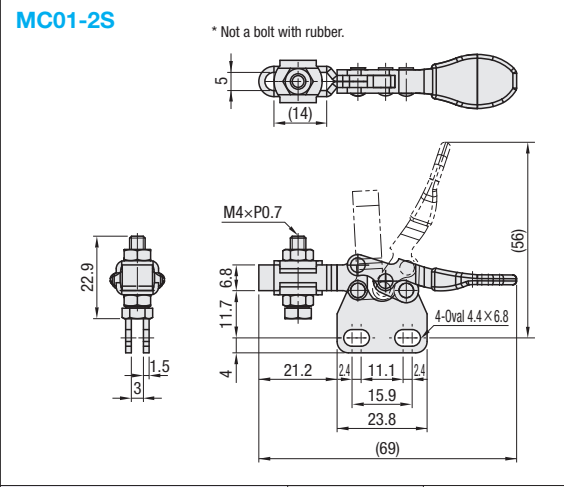
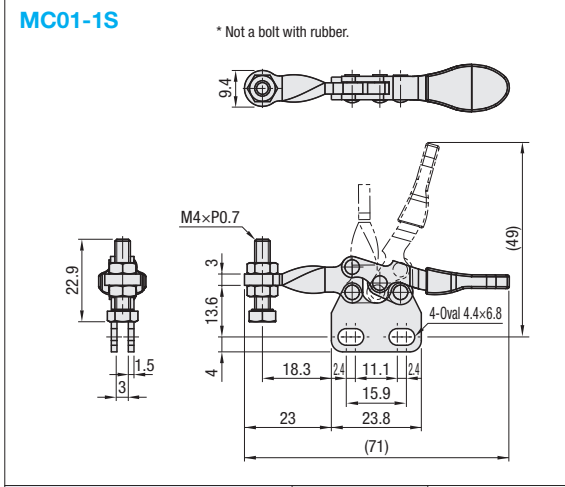

(Clamped)

Part Number	<b>MC01-1S</b>
Body Material	SS400
Surface Treatment	Trivalent Chromate
Tightening Force (N)	264.6
Weight (g)	30
Arm Open-Close Angle	90°
Handle Open-Close Angle	73°
Accessory	* Nylon Bolt
Unit Price	




(Clamped)

Part Number	<b>MC01-2S</b>
Body Material	SS400
Surface Treatment	Trivalent Chromate
Tightening Force (N)	264.6
Weight (g)	35
Arm Open-Close Angle	90°
Handle Open-Close Angle	73°
Accessory	* Nylon Bolt
Unit Price	

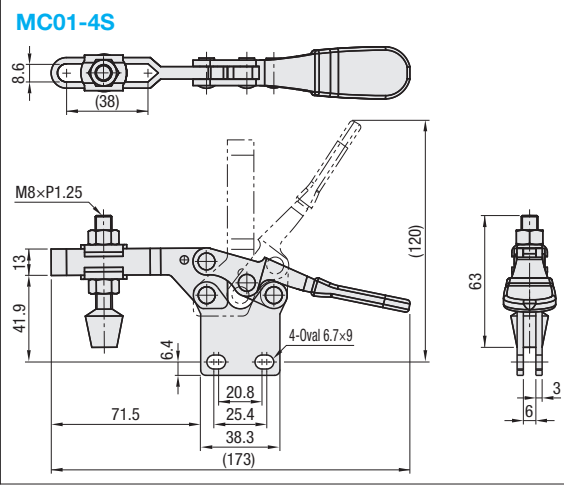
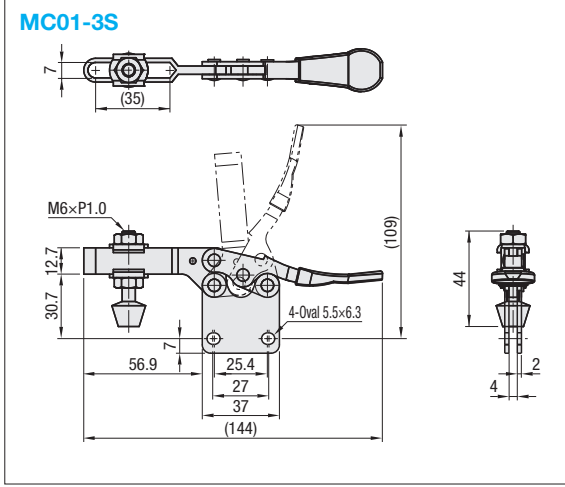
(Clamped)

Part Number	<b>MC01-3S</b>
Body Material	SS400
Surface Treatment	Trivalent Chromate
Tightening Force (N)	882
Weight (g)	130
Arm Open-Close Angle	80°
Handle Open-Close Angle	73°
Accessory	Bolt with Rubber Material: NBR Hardness: Shore A70
Unit Price	



(Clamped)

Part Number	<b>MC01-4S</b>
Body Material	SS400
Surface Treatment	Trivalent Chromate
Tightening Force (N)	2352
Weight (g)	265
Arm Open-Close Angle	90°
Handle Open-Close Angle	65°
Accessory	Bolt with Rubber Material: NBR Hardness: Shore A70
Unit Price	



Ordering Example **Part Number**  
**MC01-1S**

# Toggle Clamps


Hold Down, Horizontal Long Handle (Flange Base)

1N=0.101972kgf



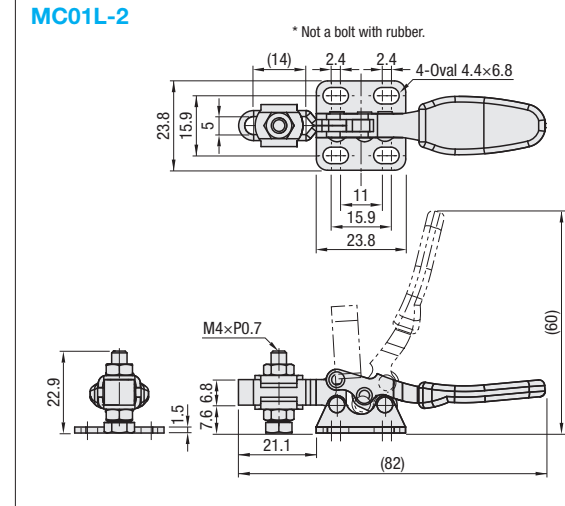
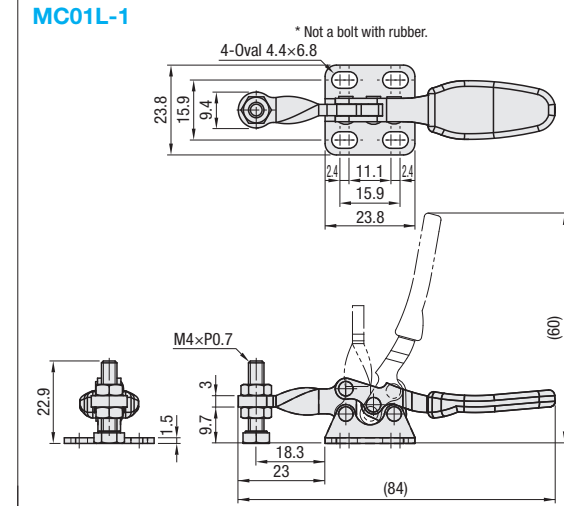

(Clamped)

Part Number	<b>MC01L-1</b>
Body Material	SS400
Surface Treatment	Trivalent Chromate
Tightening Force (N)	264.6
Weight (g)	35
Arm Open-Close Angle	90°
Handle Open-Close Angle	73°
Accessory	* Nylon Bolt
Unit Price	



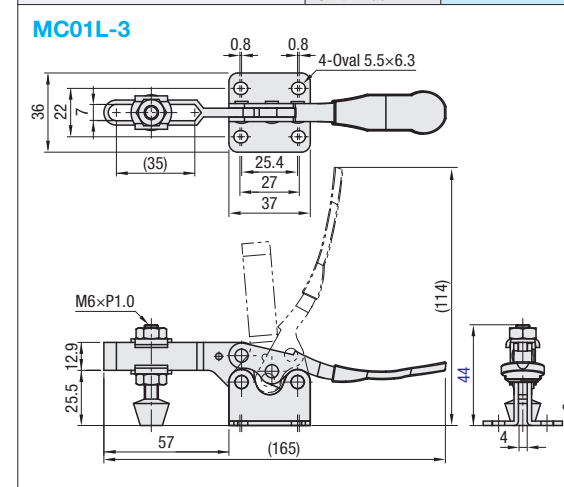
(Clamped)

Part Number	<b>MC01L-2</b>
Body Material	SS400
Surface Treatment	Trivalent Chromate
Tightening Force (N)	264.6
Weight (g)	40
Arm Open-Close Angle	90°
Handle Open-Close Angle	73°
Accessory	* Nylon Bolt
Unit Price	

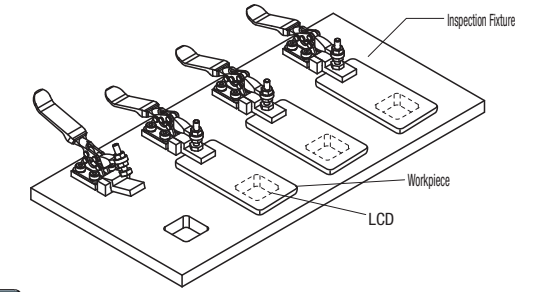



(Clamped)

Part Number	<b>MC01L-3</b>
Body Material	SS400
Surface Treatment	Trivalent Chromate
Tightening Force (N)	882
Weight (g)	140
Arm Open-Close Angle	80°
Handle Open-Close Angle	73°
Accessory	Bolt with Rubber Material: NBR Hardness: Shore A70
Unit Price	

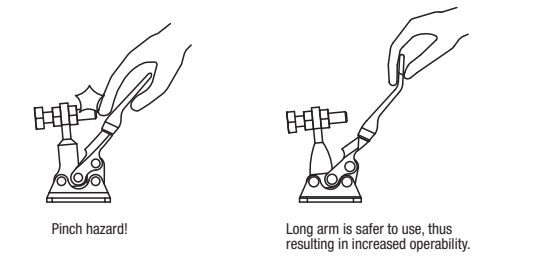


**EX** Example Clamp for LCD Continuity Tests of Mobile Phones.



**EX** Long Handle Features (Comparison with Conventional Products)

- Conventional Products
- Long Handle



Ordering Example **Part Number**  
**MC01L-1**