

Toggle Clamps

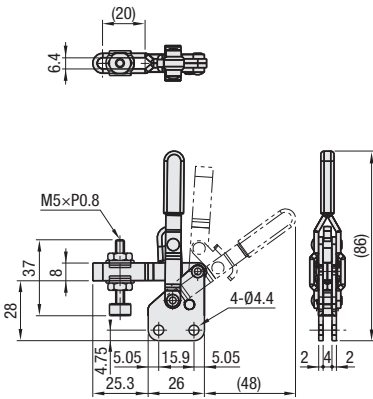
Hold Down, Vertical Handle (Straight Base)

■ Features: MC04-5S is Straight Base, Welded Tip Type.

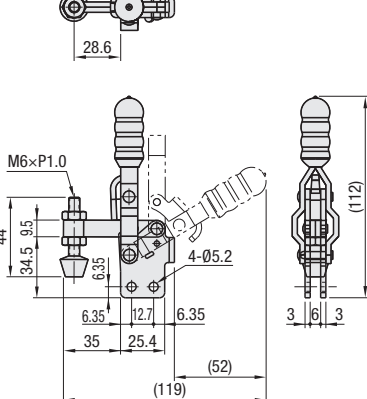
Part Number	MC04-1S	Part Number	MC04-2S	Part Number	MC04-5S
Body Material	SS400	Body Material	SS400	Body Material	SS400
Surface Treatment	Trivalent Chromate	Surface Treatment	Trivalent Chromate	Surface Treatment	Trivalent Chromate
Tightening Force (N)	441	Tightening Force (N)	882	Tightening Force (N)	2270
Weight (g)	60	Weight (g)	170	Weight (g)	355
Arm Open-Close Angle	104°	Arm Open-Close Angle	98°	Arm Open-Close Angle	107°
Handle Open-Close Angle	62°	Handle Open-Close Angle	62°	Handle Open-Close Angle	60°
Accessory	Bolt with Rubber Material: NBR Hardness: Shore A70	Accessory	Bolt with Rubber Material: NBR Hardness: Shore A70	Accessory	Bolt with Rubber Material: NBR Hardness: Shore A70
Unit Price		Unit Price		Unit Price	

1N=0.101972kgf

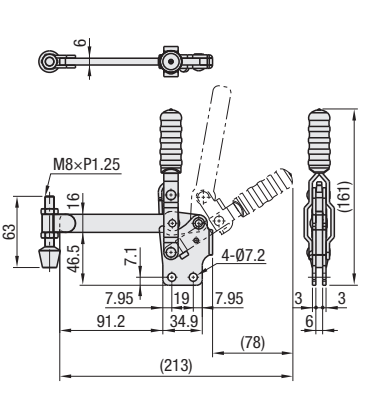
MC04-1S



MC04-2S

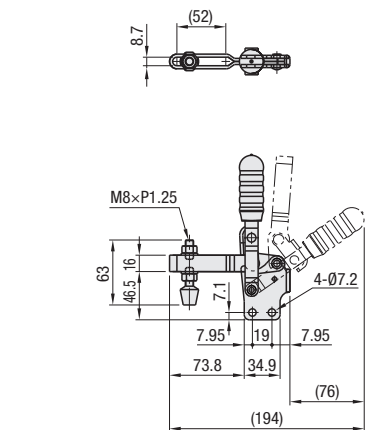


MC04-5S

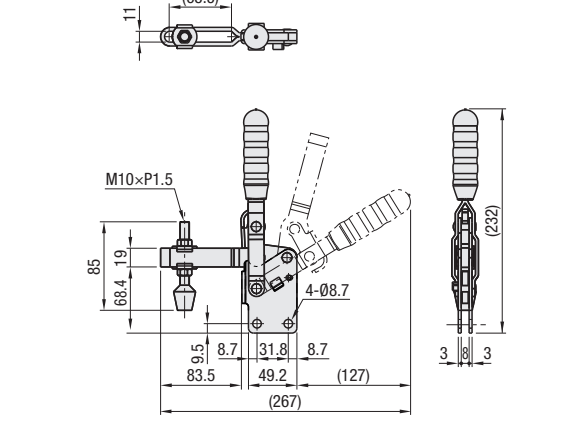


Part Number	MC04-3S	Part Number	MC04-4S
Body Material	SS400	Body Material	SS400
Surface Treatment	Trivalent Chromate	Surface Treatment	Trivalent Chromate
Tightening Force (N)	2205	Tightening Force (N)	3332
Weight (g)	355	Weight (g)	635
Arm Open-Close Angle	105°	Arm Open-Close Angle	118°
Handle Open-Close Angle	59°	Handle Open-Close Angle	73°
Accessory	Bolt with Rubber Material: NBR Hardness: Shore A70	Accessory	Bolt with Rubber Material: NBR Hardness: Shore A70
Unit Price		Unit Price	

MC04-3S



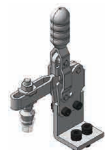
MC04-4S



Ordering Example Part Number MC04-1S

ex Example Combination of these app. examples can be selected on our website. Selection Procedure Details P.87

e-Catalog Search Keyword #MA473 Search



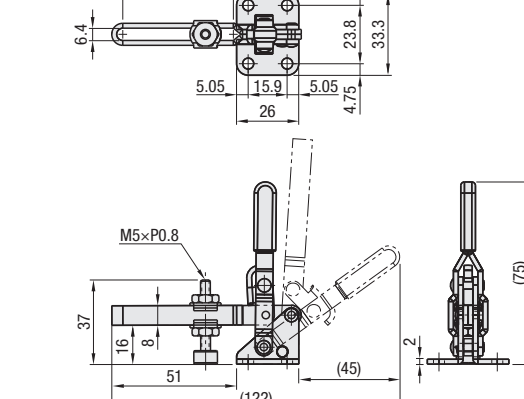
Toggle Clamps

Hold Down, Vertical Handle, Long Arm (Flange Base)

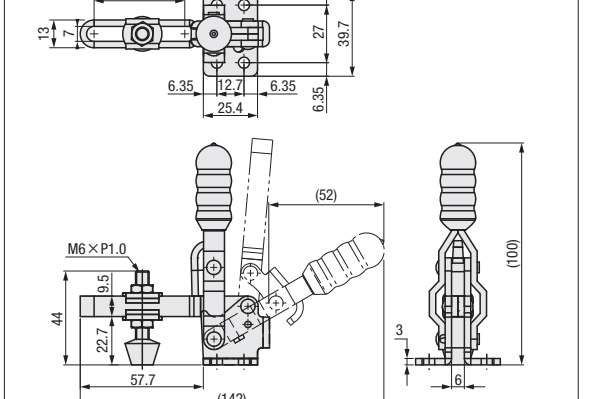
1N=0.101972kgf

Part Number	MC04-1L	Part Number	MC04-2L
Body Material	SS400	Body Material	SS400
Surface Treatment	Trivalent Chromate	Surface Treatment	Trivalent Chromate
Tightening Force (N)	186	Tightening Force (N)	392
Weight (g)	75	Weight (g)	175
Arm Open-Close Angle	104°	Arm Open-Close Angle	98°
Handle Open-Close Angle	62°	Handle Open-Close Angle	62°
Accessory	Bolt with Rubber Material: NBR Hardness: Shore A70	Accessory	Bolt with Rubber Material: NBR Hardness: Shore A70
Unit Price		Unit Price	

MC04-1L (Long Arm)

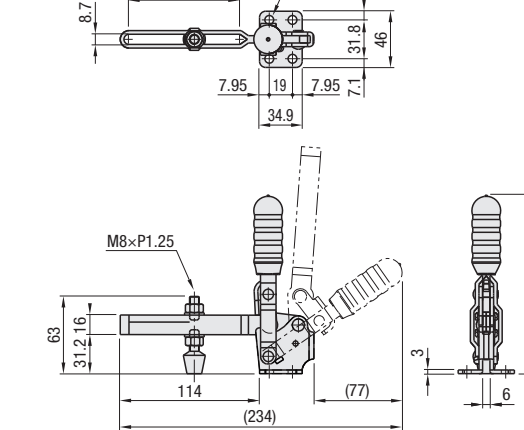


MC04-2L (Long Arm)

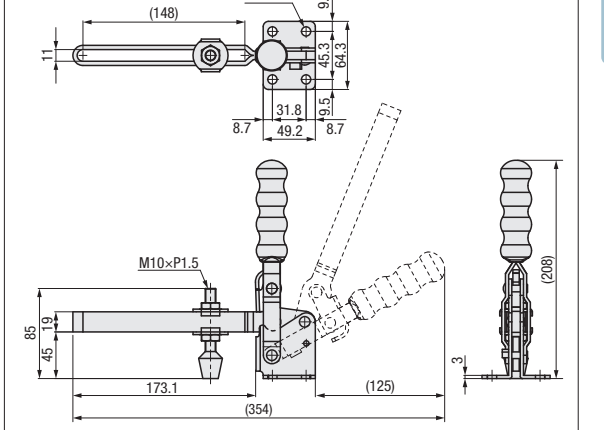


Part Number	MC04-3L	Part Number	MC04-4L
Body Material	SS400	Body Material	SS400
Surface Treatment	Trivalent Chromate	Surface Treatment	Trivalent Chromate
Tightening Force (N)	784	Tightening Force (N)	1078
Weight (g)	370	Weight (g)	815
Arm Open-Close Angle	105°	Arm Open-Close Angle	118°
Handle Open-Close Angle	59°	Handle Open-Close Angle	73°
Accessory	Bolt with Rubber Material: NBR Hardness: Shore A70	Accessory	Bolt with Rubber Material: NBR Hardness: Shore A70
Unit Price		Unit Price	

MC04-3L (Long Arm)



MC04-4L (Long Arm)



Ordering Example Part Number MC04-3L

ex Example Combination of these app. examples can be selected on our website. Selection Procedure Details P.87

e-Catalog Search Keyword #MA553 Search

