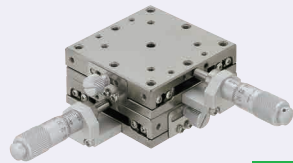


[High Precision] Linear Ball Symmetrical Stack, Space Saving

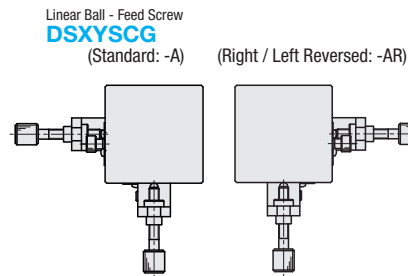
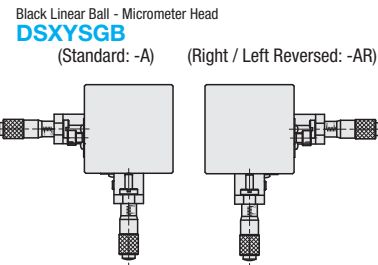
■ **Features:** Since two side faces out of four are freely configurable, this type of stage product can be symmetrically aligned with its reserved type for combination use or can be configured for space-saving.

■ Symmetrical Stack, Space Saving



RoHS 10

- The number of faces intended for knob / clamp operations is limited to two.
- Space for adjustment is saved
- It is also possible to reposition two stages in such a way that they become much closer to each other.



Ⓜ For dimension details, see the CAD data or the catalog's X-Axis stage dimension details on P.1946

Part Number		Stage Surface (mm)	Travel Distance (mm)	Load Capacity (N)	Stage Configuration		Reference Part Number (Page)	Unit Price	
Type	No.				Top	Bottom		DSXYSG	DSXYSCG
Black Linear Ball Micrometer Head DSXYSG Linear Ball Feed Screw DSXYSCG	25-A	25x25	±3.2	38.2	X□□□-AR	X□□□-A	XYSG□-A (P.1946)		
	25-AR				X□□□-A	X□□□-AR			
	40-A	40x40	±6.5	95.2	X□□□-AR	X□□□-A			
	40-AR				X□□□-A	X□□□-AR			
	50-A	50x50	±6.5	144.2	X□□□-AR	X□□□-A			
	50-AR				X□□□-A	X□□□-AR			
	60-A	60x60	±6.5	192.1	X□□□-AR	X□□□-A			
	60-AR				X□□□-A	X□□□-AR			
	70-A	70x70	±6.5	329.6	X□□□-AR	X□□□-A			
	70-AR				X□□□-A	X□□□-AR			
80-A	80x80	±12.5(*)	255.8	X□□□-AR	X□□□-A				
80-AR				X□□□-A	X□□□-AR				
100-A	100x100	±12.5(*)	329.6	X□□□-AR	X□□□-A				
100-AR				X□□□-A	X□□□-AR				

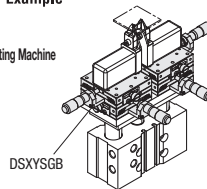
* Stroke is ±6.5mm for Feed Screw Type.

Ordering Example
Part Number
DSXYSG80-A
DSXYSG80-AR

Ⓜ For symmetrical use, select one standard stage (-A Type) and one reversed (-AR Type) stage, respectively, as indicated above.

Example
ex

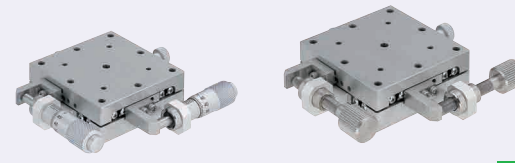
Lead Wire Cutting Machine



[High Precision] XY-Axis Linear Ball Slide Low Profile

■ **Features:** Extra low profile achieved by XY-Axis unitized construction in comparison to XYSG (P.1946). 26mm height or less and no need for orthogonal aligning.

■ XY-Axis, Low Profile

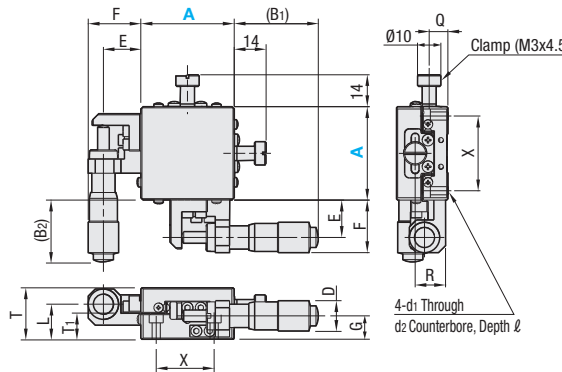


RoHS 10

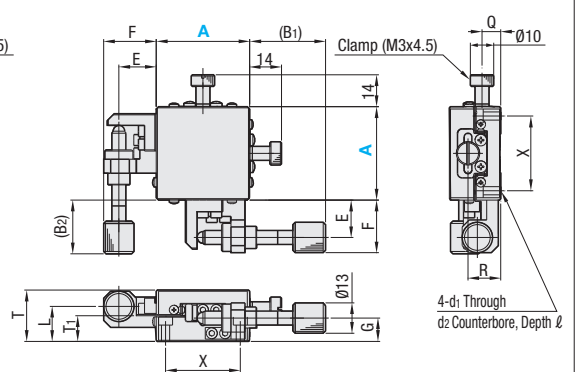
Main Body	Ball	Spring	Micrometer Head Bracket	Tip Holder
Material: SUS440C Surface Treatment: Electroless Nickel Plating	Material: SUS440C Surface Treatment: 58HRC~	Material: SUS304W/PB	Material: A5052 Surface Treatment: Clear Anodize	Material: SUS303

- Ⓜ For materials of Micrometer Head and Feed Screw components, see P.2005, P.2006
- Ⓜ For top surface mounting hole dimensions, see Linear Ball Slide X-Axis Stages on P.1921.

■ Micrometer Head XYSSG (A=40,60,80,100)



■ Feed Screw (Lead 0.5) XYSSCG (A=40,60,80,100)



■ Micrometer Head (XYSSG), Feed Screw (XYSSCG)

Part Number	Top View					Front View					Side View					Accessory (4 pcs.)				
	Type	A	Micrometer (B1) (B2)	Feed Screw (B1) (B2)	Travel Distance (mm)	E	F	D	G	T	L	T1	Q	R	X		d1	d2	ℓ	Type M-L
XYSSG XYSSCG	40	36	26.5	32.5	23	±6.5	16	22.5	13	10	22	15	10.5	8	14	32	3.5	6	3.5	SCB3-10
	60	20.3	16.5	16.8	13	±6.5	16	22.5	13	10	22	15	10.5	8	14	50	4.5	8	4.5	SCB4-10
	80	39	32	0	-7*1	±12.5*2	23	32*2	18*2	15	26	17	12.5	9.5	16.5	70	4.5	8	6.5	SCB4-10
	100	29	22	-10	-17	±12.5*2	23	32*2	18*2	15	26	17	12.5	9.5	16.5	90	4.5	8	6.5	SCB4-10

*1. The end of feed screw (XYSSCG) is at 7mm inside of the stage end face. *2. For XYSSCG Feed Screw Type A=80, 100, travel distance per rotation is ±6.5, F=30, and D=13.

■ Performance

Part Number	Type	A	Stage Surface (mm)	Load Capacity (N)	Travel Accuracy				Moment Load Capacity (N·m)			Moment Rigidity (1/N·cm)			Parallelism	Weight (kg)	Unit Price	
					Straightness	Motion Parallelism	Pitching	Yawing	Pitching	Yawing	Rolling	Pitching	Yawing	Rolling			XYSSG	XYSSCG
XYSSG XYSSCG	40	40x40	88.2	3μm	12μm	40"	20"	4.5	5.0	4.5	0.80	0.68	0.85	30μm	0.34			
	60	60x60	186.2					9.0	8.1	9.0	0.21	0.19	0.20					
	80	80x80	255.8					16.4	15.9	16.4	0.09	0.06	0.08					
	100	100x100	329.3					27.6	28.6	27.6	0.06	0.03	0.06					40μm

Ⓜ XYSSG: Micrometer Head Resolution: 10μm/division

Ordering Example
Part Number
XYSSG40

Alterations
Part Number - (CR, A, MN)
XYSSG40 - CR

Alterations	Position of Micrometer Head and Feed Screw		No Micrometer Head
	Side Mount - Right/Left Reversed	Center	No Micrometer Head
Spec.			
Code	CR	A	MN

- Ⓜ Applicable to XYSSG only.
- Ⓜ Micrometer head and bracket will be removed before shipment.
- Ⓜ Since there is an internal spring, the carriage will not be stationary unless the clamp is tightened.

Ⓜ When Position Change Alteration is selected, mounting dimensions of micrometer head, feed screw and clamp are different from those of standard products. See the CAD data for details.

Ⓜ Knob Cover HDCVR13 (Sold Separately): Ø13 micrometer knob diameter can be increased by installing the cover. Ⓜ P.2004

Ⓜ Extension Cover HDEXT13 (Sold Separately): Feed knob of Ø13 micrometer head and feed screw can be extended. Ⓜ P.2004