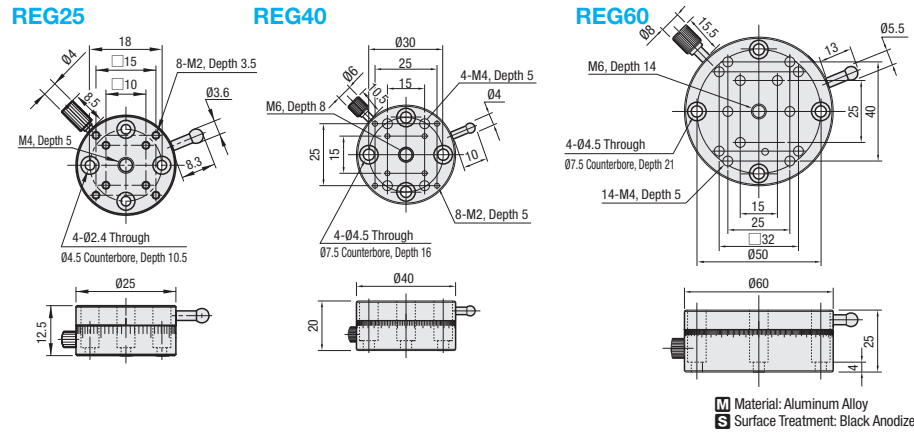


# [High Precision] Rotary Stages

Coarse Feed / Feed Screw

Features: Suitable for large angle positioning applications such as LED lighting and sensor positioning.

## Rotary Stages, Coarse Feed



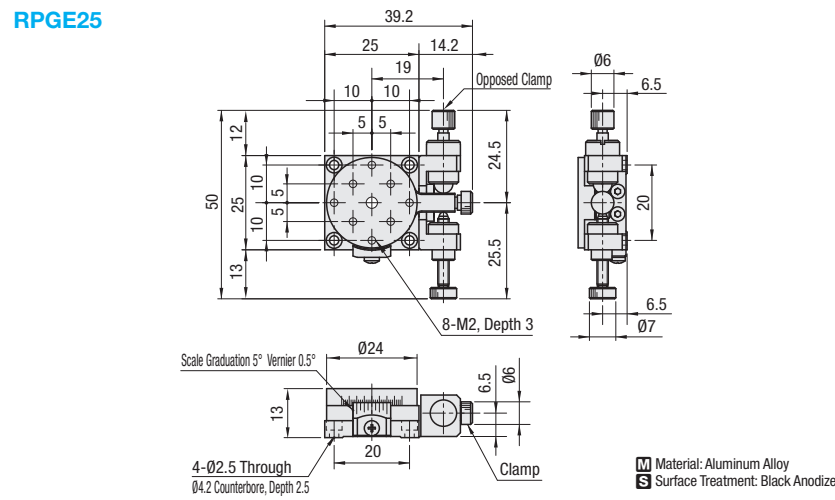
Part Number Type	Stage Surface (mm)	Travel Distance	Resolution	Load Capacity (N)		Eccentricity (mm)	Weight (kg)	Accessory (4 pcs.) Type M-L	Unit Price
				Horizontal	Vertical				
REG	25	Ø25	Coarse 360°	5°	29.4	9.8	0.02	SCB2-5	
	40	Ø40		2°	49.0	16.3	0.06	SCB4-8	
	60	Ø60		1°	68.6	22.8	0.20	SCB4-8	

REG25 can not be combined with other stages.  
 XWG (P.1904), XYWG (P.1939), ZWG (P.1954), XLWG (P.1908), ZLWG (P.1956 (REG60 requires XPLT60 on P.1915)).

Ordering Example  
 Part Number: REG40

Features: Small Ø24 diameter rotary stage capable of fine screw feeds.

## Rotary Stages, Feed Screw



Part Number Type	Stage Surface (mm)	Travel Distance	Resolution Vernier	Load Capacity (N)		Eccentricity (mm)	Weight (kg)	Accessory (4 pcs.) Type M-L	Unit Price
				Horizontal	Vertical				
RPGE	25	Ø24	Coarse 360° Fine Feed ±3°	0.5°	9.8	0.05	0.03	SCB2-6	

Ordering Example  
 Part Number: RPGE25

Alteration	Feed Knob Position Change
Spec.	Side Mount - Right/Left Reversed
Code	NR

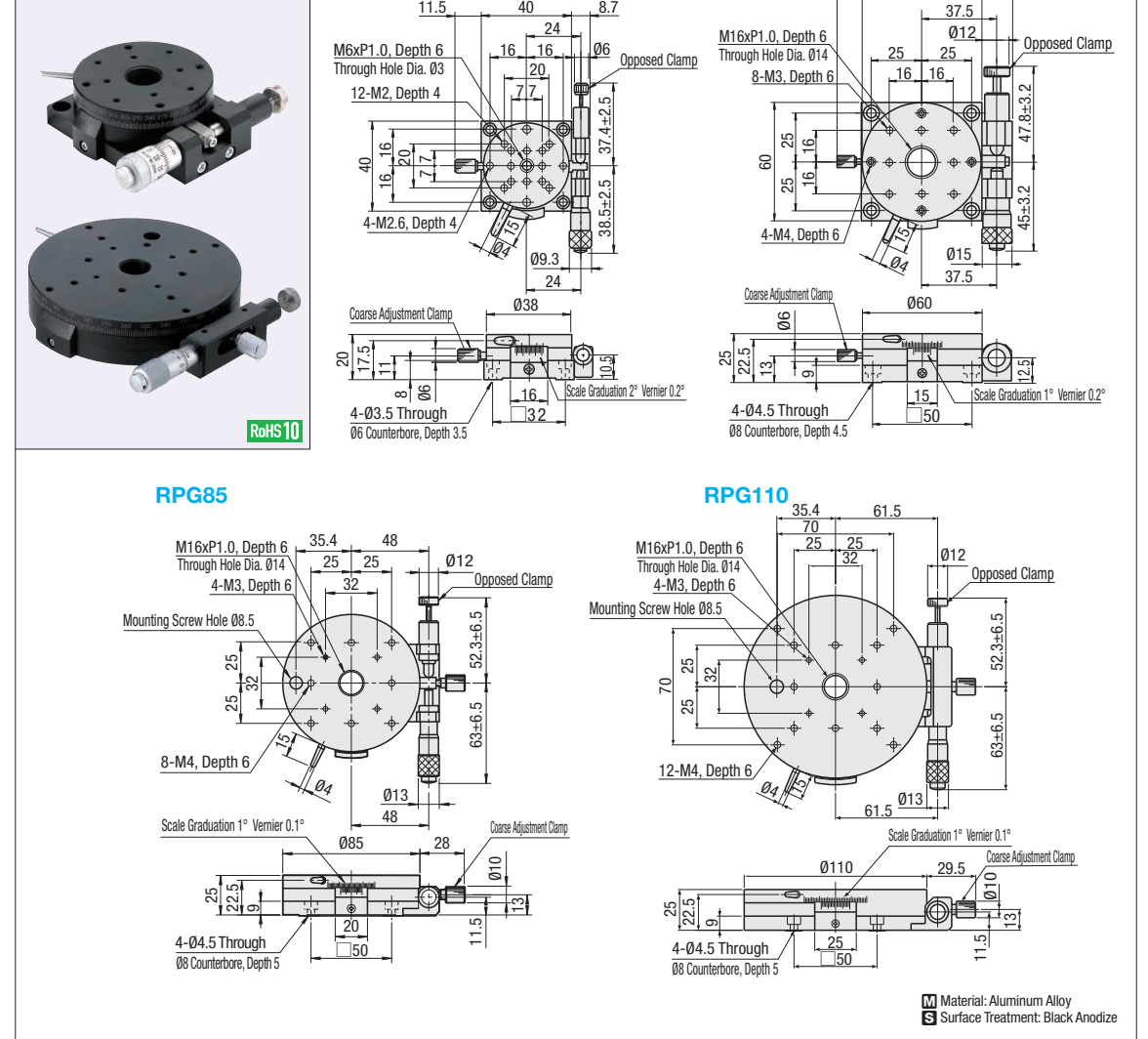
Alterations  
 Part Number - (NR)  
 RPGE25 - NR

# [High Precision] Rotary Stages

Micrometer Head

Features: Micrometer equipped rotary stages capable of fine feeds.

## Rotary Stages, Micrometer Head



Standard Stage Similar Products: RTRS (P.1979), RTRM (P.1979) (available for limited sizes only).

Part Number Type	Stage Surface (mm)	Travel Distance	Resolution		Load Capacity (N) Horizontal	Moment Load Capacity (N, m)	Moment Rigidity (N/cm)	Eccentricity (mm)	Weight (kg)	Accessory (4 pcs.) Type M-L	Unit Price
			Vernier	Micrometer							
RPG	38	Ø38	Coarse 360°	0.2°	9.8	0.3	3.56	0.05	0.09	SCB3-8	
	60	Ø60		≈1'26"/Scale Graduation	29.4	0.7	0.41		0.28	SCB4-10	
	85	Ø85	Fine Feed ±5°	0.1°	39.2	1.2	0.22		0.48	SCB4-8	
	110	Ø110		≈43"/Scale Graduation	49.0	1.5	0.17		0.75	SCB4-8	

Knob Cover HDCVR13 (Sold Separately): Ø13 micrometer knob can be increased in diameter by installing the cover. P.2004

Extension Cover HDEXT13 (Sold Separately): Ø13 micrometer head knob can be extended. P.2004

Coarse Clamps and Opposed Clamps are available for sale as special order items. Contact our customer service.

Ordering Example  
 Part Number: RPG38

Alteration	Micrometer Position
Spec.	Side Mount - Right/Left Reversed
Code	NR

Alterations  
 Part Number - (NR)  
 RPG60 - NR

Mounting dimensions of micrometer head and clamp are different from those of standard products. See the CAD data for details.