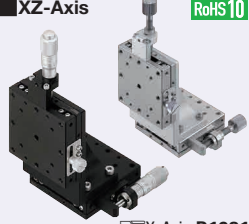


# [High Precision] Linear Ball Micrometer Head / Feed Screw

Features: High Precision/rigidity Linear Ball Slide XZ-Axis Stages. Further cost savings is possible by selecting the Feed Screw Type.

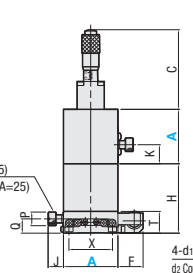
**XZ-Axis** RoHS10



X-Axis P.1921  
Z-Axis P.1966

**Micrometer Head**

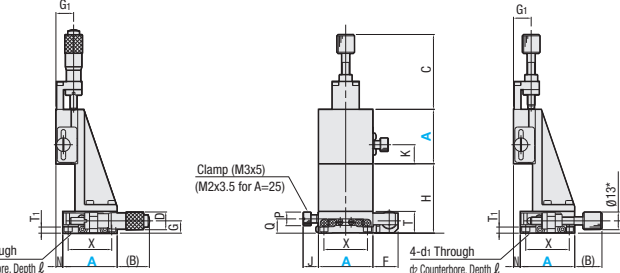
**XZSG**  
**XZSGB** (Black)



Clamp (M3x5)  
(M2x3.5 for A=25)

**Feed Screw (Pitch 0.5)**

**XZSCG**



Clamp (M3x5)  
(M2x3.5 for A=25)

For top surface mounting dimensions and feed bracket shapes, see Linear Ball Slide X-Axis Stages on P.1921.  
Z-Axis of A=25 has different bracket shape. See P.1709.

**Characteristics of Black Chrome Plating P.304.**

Type	Main Body		Ball		Spring	Micrometer Head Bracket		Tip Holder	
	Material	Surface Treatment	Material	Hardness	Material	Material	Surface Treatment	Material	Surface Treatment
XZSG	SUS440C	Electroless Nickel Plating	SUS440C	58HRC~	SUS304WPB	A5052	Clear Anodize	SUS303	-
XZSGB	SUS440C	Low Temp. Black Chrome Plating	SUS440C	58HRC~	SUS304WPB	A5052	Black Anodize	SUS303	Low Temp. Black Chrome Plating

For Micrometer Head and Feed Screw materials, see P.2005 and P.2006.

Micrometer Head (XZSG, XZSGB) / Feed Screw (XZSCG) Standard Stages with Similar Specifications: Combination of XLBS (P.1920) and ZLBS (P.1965)

Part Number	Front View											Side View											Accessory (4 pcs.)				
	Type	A	H	C		Feed Screw	K	Q	P	J	F	T	T <sub>1</sub>	N	(B)		Feed Screw	Travel Distance (mm)	D	G	G <sub>1</sub>	X		d <sub>1</sub>	d <sub>2</sub>	ℓ	Type M-L
XZSG XZSCG XZSGB (*only)	25*	24.5	37.0	23	10	8.5	6	6.8	11.7	12	3.7	7	25	11	±3.2	9.3	7	10	20	2.5	4.2	2.5				SCB2-4	
	40*	51			14						4.5	5	24	20.3												SCB3-6	
	50	46			19	10.5			18.5	16		20	18.7	15.3	±6.5	13	8.9	13	40	3.5	6	3.5				SCB3-6	
	60*	41	58.5	55	24						5	21	14	10.3													SCB4-6
70	43				23.5	11.5				18	6	12	14.5	10.8							9.95	14	60	4.5	8	4.0	SCB4-6
80*	40	96.0			25	14.5			26*1	20	6.5	20	43.5	10	±12.5*2	18	10.8	16.5	70							5.3	

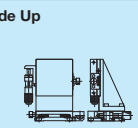
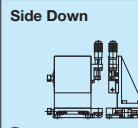
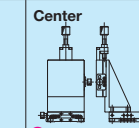
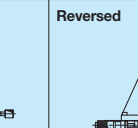
Performance \*1 When feed screw A=80, F=20 \*2 Travel distance of Feed Screw Type XZSCG80 is ±6.5mm.

Part Number	Stage Surface (mm)	Load Capacity (N)	Travel Accuracy		Moment Load Capacity (N·m)			Moment Rigidity (°/N·cm)			Weight (kg)	Unit Price				
			Straightness	Pitching/Yawing	Pitching	Yawing	Rolling	Pitching	Yawing	Rolling		XZSG	XZSCG	XZSGB		
XZSG XZSCG XZSGB (*only)	25*	25x25	9.8	3µm	30"	25"	2.0	2.0	3.5	3.80	2.20	2.20	0.3			
	40*	40x40					5.0	5.0	5.0	0.84	0.56	0.56	0.55			
	50	50x50					6.8	6.0	6.0	0.30	0.23	0.23	0.72			
	60*	60x60	49.0	1µm <sup>3</sup>	25"	15"	10.0	9.0	9.0	0.16	0.13	0.13	0.98			
	70	70x70					13.8	12.9	12.9	0.12	0.08	0.08	1.42			
80*	80x80		3µm			18.2	17.7	17.7	0.08	0.06	0.06	2.10				

XZSG, XZSGB Micrometer Head Resolution: 10µm/division \*3 XZSGB Straightness is 3µm.  
Knob Cover HDCVR13 (Sold Separately): Ø13 micrometer knob diameter can be increased by installing the cover. P.2004  
Extension Cover HDEXT13 (Sold Separately): Feed knob of Ø13 micrometer head and feed screw can be extended. P.2004

Ordering Example Part Number XZSG80

Alterations Part Number - (C, CU, A, R) XZSG40 - C


Alterations	Position of Micrometer Head and Feed Screw			
	Side Up	Side Down	Center	Reversed
Spec.				
Code	C	CU	A	R

Mounting dimensions of micrometer head, feed screw and clamp are different from those of standard products. See the CAD data for details.

# [High Precision] Cross Roller Micrometer Head

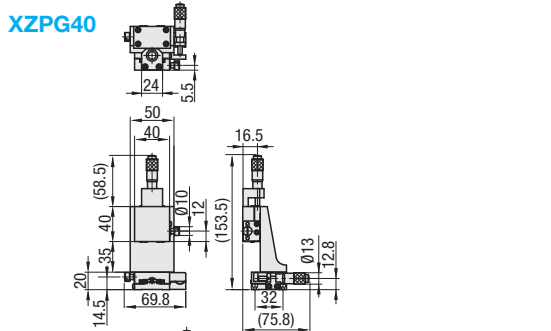
Features: Cross Roller XZ-Axis Stages made of lightweight aluminum alloy.

**XZ-Axis**

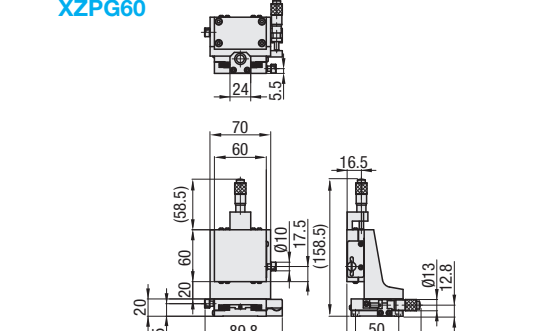


X-Axis P.1918  
Z-Axis P.1968 RoHS10

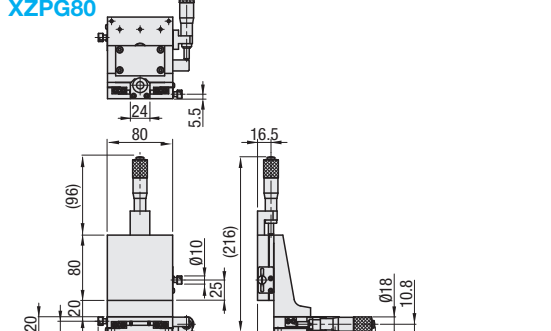
**XZPG40**



**XZPG60**



**XZPG80**



For top surface mounting hole dimensions, see Cross Roller X-Axis Stages on P.1918.  
Standard Stages with Similar Specifications: Combination of XCRS (X-Axis, P.1917) and ZCRS (P.1967)

Part Number	No.	Stage Configuration		Stage Surface (mm)	Travel Distance (mm)		Load Capacity (N)	Weight (kg)	Unit Price
		Bottom	Top		X	Z			
XZPG	40	XPG40	ZPG40	40x40	±6.5	±6.5	9.8	0.34	
	60	XPG60	ZPG60	60x60	±6.5	±6.5	19.6	0.70	
	80	XPG80	ZPG80	80x80	±12.5	±12.5	49.0	1.30	

For dimension details, see the CAD data and the catalog page for each stage.  
Knob Cover HDCVR13 (Sold Separately): Ø13 micrometer knob diameter can be increased by installing the cover. P.2004  
Extension Cover HDEXT13 (Sold Separately): Feed knob of Ø13 micrometer head and feed screw can be extended. P.2004


For dimension details, see the CAD data and the catalog page for each stage.  
Knob Cover HDCVR13 (Sold Separately): Ø13 micrometer knob diameter can be increased by installing the cover. P.2004  
Extension Cover HDEXT13 (Sold Separately): Feed knob of Ø13 micrometer head and feed screw can be extended. P.2004

For orders larger than indicated quantity, please request a quotation.

Ordering Example Part Number XZPG60

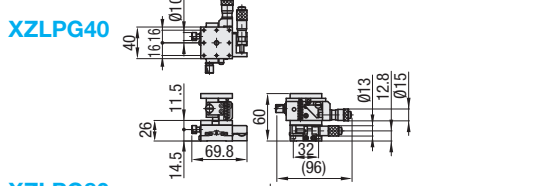
Features: Cross Roller XZ-Axis Stages made of lightweight aluminum alloy. The horizontal surfaces move vertically.

**X + Horizontal Surface Z-Axis**

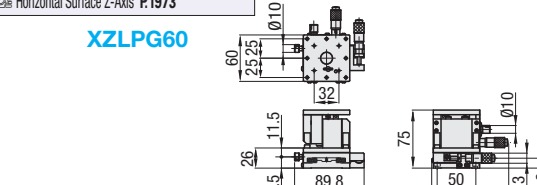


X-Axis P.1918  
Horizontal Surface Z-Axis P.1973

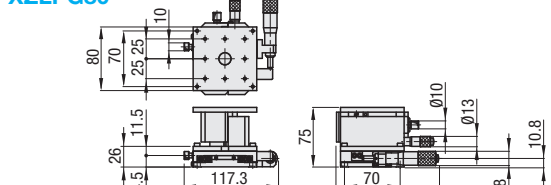
**XZLPG40**



**XZLPG60**



**XZLPG80**



Material: Aluminum Alloy  
Surface Treatment: Black Anodize

Part Number	No.	Stage Configuration		Stage Surface (mm)	Travel Distance (mm)		Load Capacity (N)	Weight (kg)	Unit Price
		Bottom	Top		X	Z			
XZLPG	40	XPG40	ZLPG40	40x40	±6.5	±3.0	9.8	0.35	
	60	XPG60	ZLPG60	60x60	±6.5	±5.0	19.6	0.63	
	80	XPG80	ZLPG80	80x80	±12.5	±5.0	29.4	1.47	

For dimension details, see the CAD data and the catalog page for each stage.  
Knob Cover HDCVR13 (Sold Separately): Ø13 micrometer knob diameter can be increased by installing the cover. P.2004  
Extension Cover HDEXT13 (Sold Separately): Feed knob of Ø13 micrometer head and feed screw can be extended. P.2004

For orders larger than indicated quantity, please request a quotation.

Ordering Example Part Number XZLPG80