

Fixture Slides

Linear Guide Type

Features: Sliders based on linear guides. By adopting those linear guides, the sliders achieve smooth sliding motion and thus, are suitable for applications frequently repeated.

X-Axis



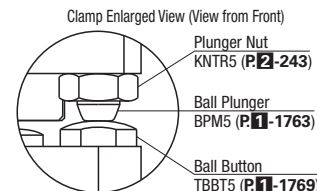
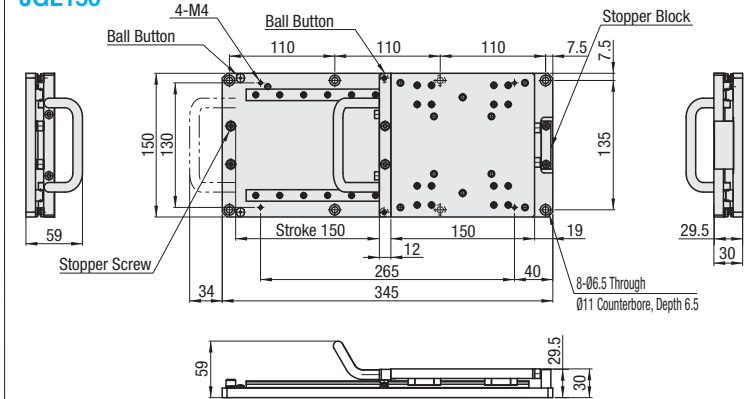
Tips

Only on JGL250, by repositioning the ball buttons and stroke end stopper screws, the stroke can be shortened. Shortening the stroke can prevent the handle from protruding from the base plate O.D.

For how to adjust the stroke, see the Stroke Adjustment Method Table.

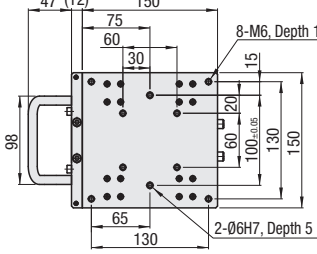
When plunger locking in the front side is not needed, remove the ball buttons.

JGL150

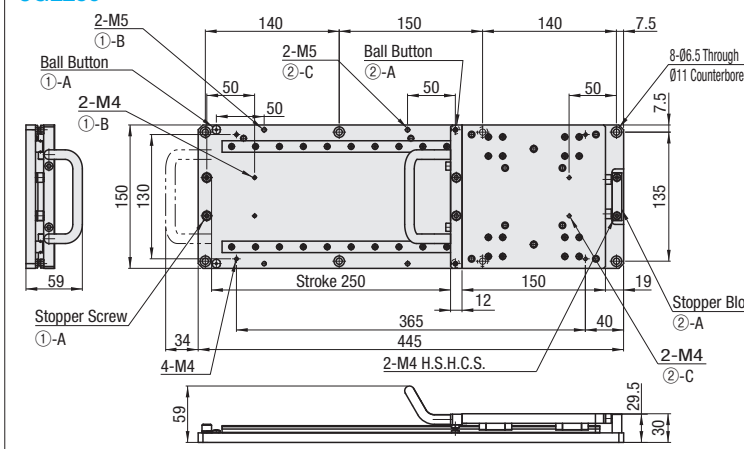


By fitting the plunger tip ball in the depressed part of the ball button, the table is fixed.

Table Dimensions (Common)



JGL250



Main Body	Material	Surface Treatment
Table	Aluminum Alloy	Clear Anodize
Base Plate	Aluminum Alloy	Clear Anodize
Knob	Aluminum Alloy	Clear Anodize
Handle Bracket	Aluminum Alloy	Clear Anodize
Linear Guide	Stainless Steel	-
Stopper Block	S45C	Electroless Nickel Plating

Stroke Adjustment Method

Stroke after adjustment	Mounting Positions of Stopper Parts	
	① Pulling Side	② Pushing Side
250 (before shipping)	A	A
200	B	A
200	A	C
150	B	C

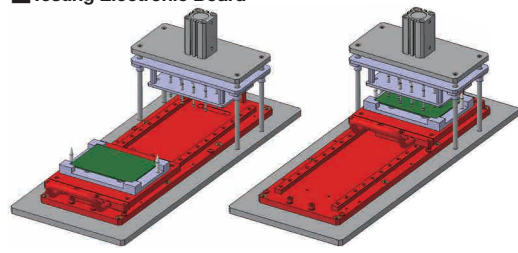
Only on JGL250, by recombining the stopper part mounting hole positions on the above two sides, the stroke can be changed.

Part Number	Stroke (mm)	Table Size (mm)	Base Length (mm)	(Ref. Value) Required Thrust (N)	(Ref. Value) Plunger Holding Force (N)	Load Capacity (kN)	Weight (kg)	Unit Price
JGL 150	150	150x150	345	2	23	4.5	2.8	
JGL 250	150, 200, 250	150x150	445	2	23	4.5	3.4	

- Upon delivery, the stroke is set to 250 for JGL250.
- Required Thrust: Force required to move the table by using the knob
- Load Capacity: Max. allowable value of load applied vertically to the table surface
- Values on the (Ref. Value) columns in the above table are measured when no load is applied.



Testing Electronic Board



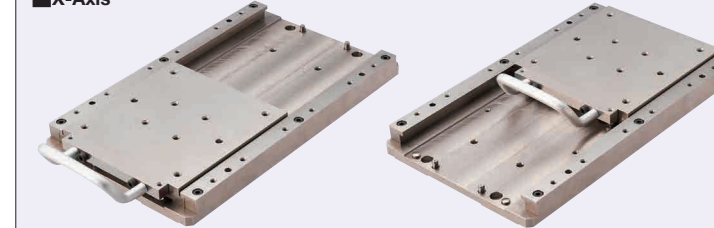
Ordering Example
Part Number
JGL250

Fixture Slides

Guide Rail Type

Features: Have the sliding mechanism achieving high load capacity by leveraging guide rails. Are excellent in durability and suitable for machining, pressing or other load-intensive applications.

X-Axis



Tips

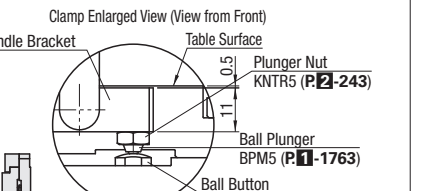
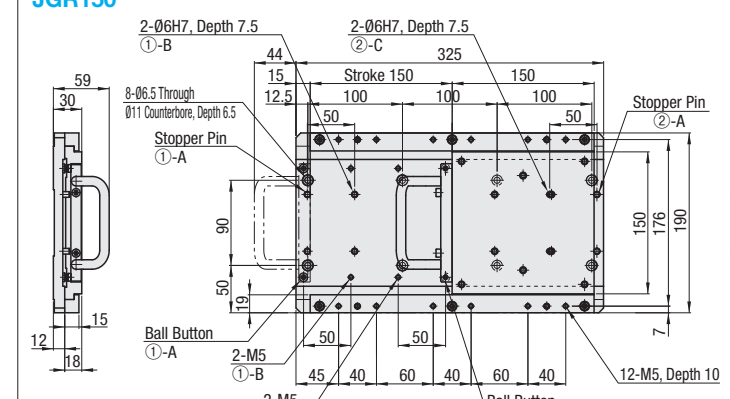
By repositioning the ball buttons and stroke end stopper pins, the stroke can be shortened. Shortening the stroke can prevent the handle from protruding from the base plate O.D.

For how to adjust the stroke, see the Stroke Adjustment Method Table.

Antirust oil is applied to the sliding surface before delivery.

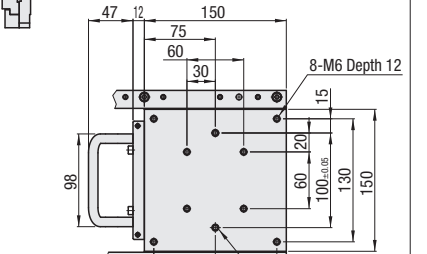
For the customer's convenience, in addition to the undersized and removable stopper pins installed onto the stopper part (4 places lengthwise), the oversized stopper pins are included with the product. Replace the undersized stopper pins with the oversized ones, if needed.

JGR150

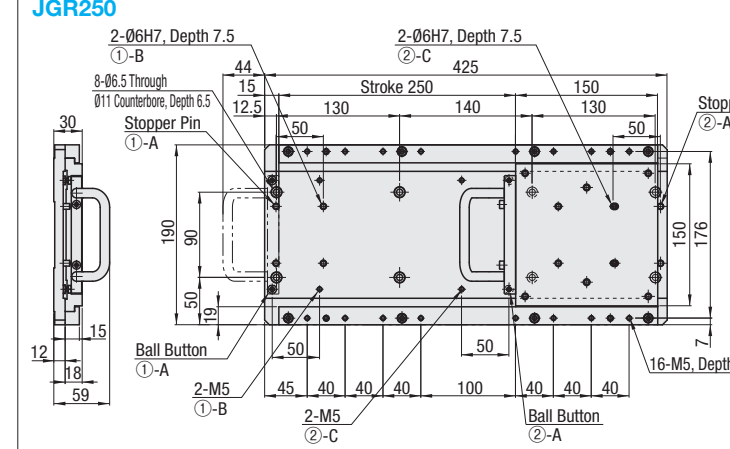


By fitting the plunger tip ball in the depressed part of the ball button, the table is fixed.

Table Dimensions (Common)



JGR250



Main Body	Material	Surface Treatment
Table	S45C Thermal	Electroless Nickel Plating
Plate	Refined	Electroless Nickel Plating
Guide Rail	Stainless Steel	Electroless Nickel Plating
Handle Bracket	S45C	Electroless Nickel Plating
Knob	Aluminum Alloy	Clear Anodize

Stroke Adjustment Method

Stroke after adjustment	Mounting Positions of Stopper Parts	
	① Pulling Side	② Pushing Side
JGR150 (before shipping)	A	A
JGR150	200	B
JGR150	200	A
JGR150	200	A
JGR150	150	B

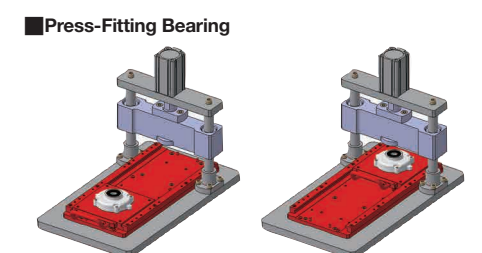
By recombining the stopper part mounting hole positions on the above two sides, the stroke can be changed.

Part Number	Stroke (mm)	Table Size (mm)	Base Length (mm)	(Ref. Value) Required Thrust (N)	(Ref. Value) Plunger Holding Force (N)	Load Capacity (kN)	Weight (kg)	Unit Price
JGR 150	50, 100, 150	150x150	325	10	30	37.2	9.2	
JGR 250	150, 200, 250	150x150	425	10	30	37.2	11,1	

- Upon delivery, the stroke is set to 150 for JGR150, and to 250 for JGR250.
- Required Thrust: Force required to move the table by using the knob (on the sliders having antirust oil applied)
- Load Capacity: Max. allowable value of load applied vertically to the table surface
- Values on the (Ref. Value) columns in the above table are measured when no load is applied.



Press-Fitting Bearing



Ordering Example
Part Number
JGR150