

Brackets for Sensor with Stands

Plastic Stands / Stand Sheet Metal Type


Bracket Components for Sensor with Stands

Pipe Shafts / Stands / Brackets / Plastic Strut Clamps / Flexible Clamps


■ **Features:** Sensors can be installed right after the purchase since Stands, Pipe Shafts and Brackets are already included in a set.

■ **Plastic Stands**

1-Shaft Pipe

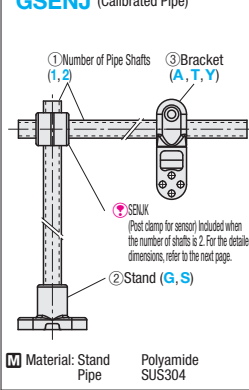


2-Shaft Pipe



RoHS10

SENJ
GSENJ (Calibrated Pipe)



① Number of Pipe Shafts (1, 2)
③ Bracket (A, T, Y)

Post clamp for sensor included when the number of shafts is 2. For the detailed dimensions, refer to the next page.

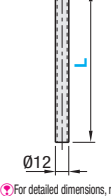
Material: Stand Pipe Polyamide SUS304

When 2-shaft configuration is selected, SENJK (Strut Clamp for sensor on the right-hand page) is included.

For detailed dimensions of each product, refer to the drawing on the next page.

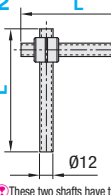
① Number of Pipe Shafts

1



For detailed dimensions, refer to the next page: SENP, GSENP

2

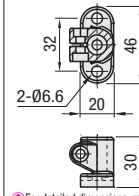


These two shafts have the same L dimension.

For detailed dimensions, refer to the next page: SENP, GSENP

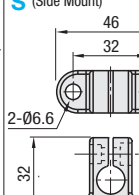
② Stand

G (Flat Mount)



For detailed dimensions, refer to the next page: SENJG

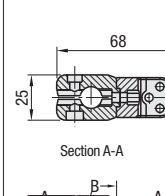
S (Side Mount)



For detailed dimensions, refer to the next page: SENJS

③ Bracket

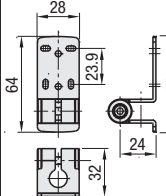
A (Perpendicular Shaft Mount, Tip Rotation)



Section A-A

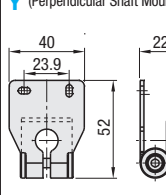
For detailed dimensions, refer to the next page: SENRT

T (Parallel Shaft Mount)



For detailed dimensions, refer to the next page: SENRT

Y (Perpendicular Shaft Mount)



Can be fixed at desired location in 22.5° increment.

Details of Hatched Area (B-B)


For detailed dimensions, refer to the next page: SENJA

■ **Plastic Stands** Dedicated nuts, dedicated washers and M5 hex socket head cap screws are included with Stands and Bracket set.


Part Number	L Selection	Stand	Bracket	Unit Price									
				Stand G (Flat Mount)			Stand S (Side Mount)						
Type	Number of Pipe Shafts			L100	L150	L200	L250	L300	L100	L150	L200	L250	L300
SENJ	1	G (Flat Mount)	T (Parallel Shaft Mount)										
GSENJ	2	S (Side Mount)	Y (Perpendicular Shaft Mount) A (Perpendicular Shaft Mount, Tip Rotation)										

■ **Stand Sheet Metal Type**

1-Shaft Pipe

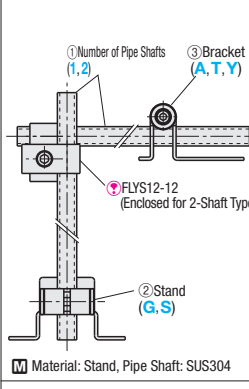


2-Shaft Pipe



RoHS10

SENR
GSENR (Calibrated Pipe)



① Number of Pipe Shafts (1, 2)
③ Bracket (A, T, Y)

FLYS12-12 (Enclosed for 2-Shaft Type)

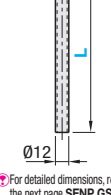
Material: Stand, Pipe Shaft: SUS304

When 2-shaft configuration is selected, FLYS12-12 (next page) is included.

For detailed dimensions of each product, refer to the drawing on the next page.

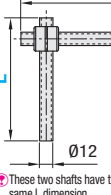
① Number of Pipe Shafts

1



For detailed dimensions, refer to the next page: SENRG

2

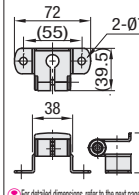


These two shafts have the same L dimension.

For detailed dimensions, refer to the next page: SENRG

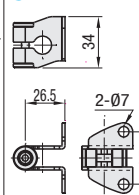
② Stand

G (Flat Mount)



For detailed dimensions, refer to the next page: SENRG

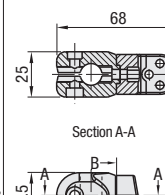
S (Side Mount)



For detailed dimensions, refer to the next page: SENRS

③ Bracket

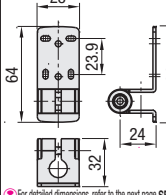
A (Perpendicular Shaft Mount, Tip Rotation)



Section A-A

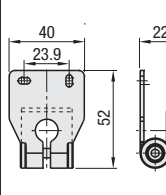
For detailed dimensions, refer to the next page: SENRT

T (Parallel Shaft Mount)



For detailed dimensions, refer to the next page: SENRT

Y (Perpendicular Shaft Mount)



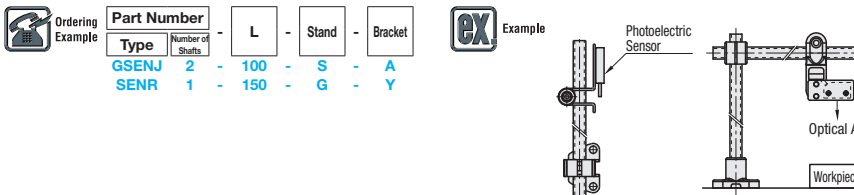
Can be fixed at desired location in 22.5° increment.

Details of Hatched Area (B-B)


For detailed dimensions, refer to the next page: SENJA

■ **Stand Sheet Metal Type** A dedicated nut, a dedicated washer and an M5 hex socket head cap screw are included with Stand and Bracket set.

Part Number	L Selection	Stand	Bracket	Unit Price									
				Stand G (Flat Mount)			Stand S (Side Mount)						
Type	Number of Pipe Shafts			L100	L150	L200	L250	L300	L100	L150	L200	L250	L300
SENR	1	G (Flat Mount)	T (Parallel Shaft Mount)										
GSENR	2	S (Side Mount)	Y (Perpendicular Shaft Mount) A (Perpendicular Shaft Mount, Tip Rotation)										

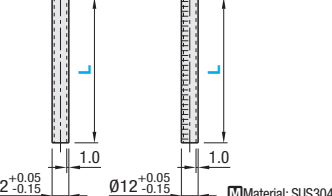


■ Pipe for Mounting Sensor Pipe for Mounting Sensor with Scale



RoHS10

SENTP (Standard)
GSENP (Calibrated)




Material: SUS304

Part Number	L Selection	Unit Price				
		L100	L150	L200	L250	L300
SENTP	100 150 200 250 300					
GSENP						

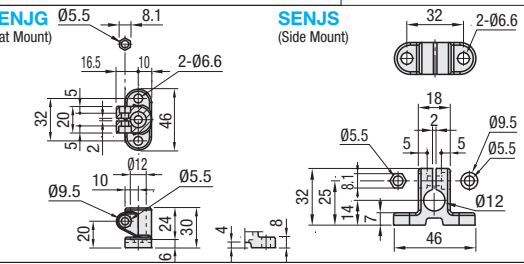
Ordering Example: Part Number - L
SENTP - 300

■ Plastic Stands - Flat Mount / Side Mount



RoHS10

SENJG (Flat Mount)
SENJS (Side Mount)



Material: Polyamide


Accessory: M5 Nut 1 pc. Bolt (Trivalent Chromate) SENJG: M5-15 1 pc. SENJS: M5-12 1 pc.

Part Number	Unit Price	Volume Discount Rate
SENJG		
SENJS		

For orders larger than indicated quantity, please check with WOS.

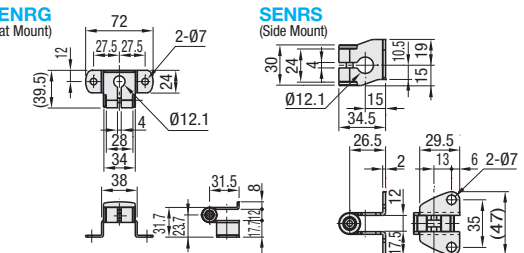
Ordering Example: Part Number
SENJG

■ Sheet Metal Stands - Flat Mount / Side Mount



RoHS10

SENRG (Flat Mount)
SENRS (Side Mount)



Material: SUS304


Accessory: Dedicated Washer 1 pc. Dedicated Nut 1 pc. Screw (Trivalent Chromate) SENRG: M5-30 1 pc. SENRS: M5-25 1 pc.

Part Number	Unit Price	Volume Discount Rate
SENRG		
SENRS		

For orders larger than indicated quantity, please check with WOS.

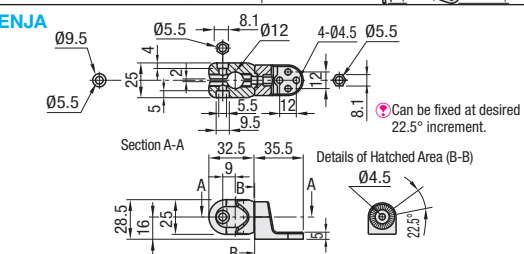
Ordering Example: Part Number
SENRG

■ Plastic Brackets - Perpendicular Shaft Mount / Tip Rotation



RoHS10

SENJA



Material: Polyamide

Accessory: M5 Nut 2 pcs. Screw (Trivalent Chromate) M5-20 1 pc. M5-15 1 pc.


Can be fixed at desired location in 22.5° increment.

Part Number	Unit Price	Volume Discount Rate
SENJA		

For orders larger than indicated quantity, please check with WOS.

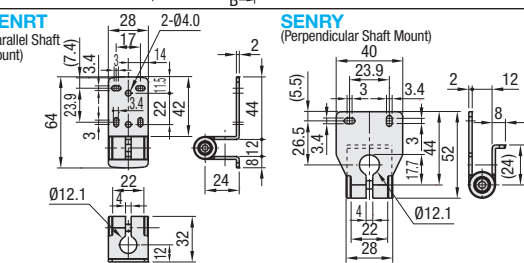
Ordering Example: Part Number
SENJA

■ Sheet Metal Brackets - Parallel Shaft Mount / Perpendicular Shaft Mount



RoHS10

SENRT (Parallel Shaft Mount)
SENRY (Perpendicular Shaft Mount)



Material: SUS304


Accessory: Dedicated Nut 1 pc. Screw (Trivalent Chromate) M5-23 1 pc. Dedicated Washer 1 pc.

Part Number	Unit Price	Volume Discount Rate
SENRT		
SENRY		

For orders larger than indicated quantity, please check with WOS.

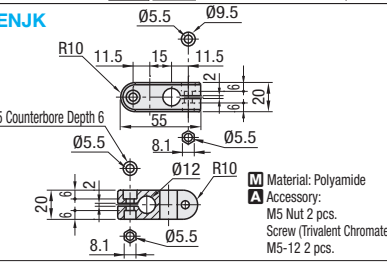
Ordering Example: Part Number
SENRT

■ Plastic Strut Clamps



RoHS10

SENJK

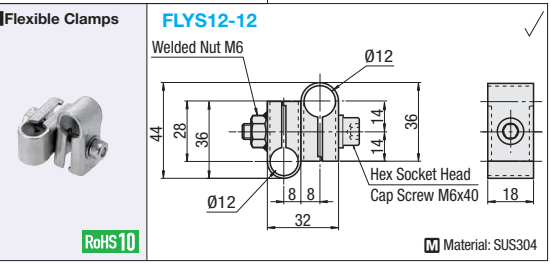


Material: Polyamide

Accessory: M5 Nut 2 pcs. Screw (Trivalent Chromate) M5-12 2 pcs.

■ Flexible Clamps

FLYS12-12



Material: SUS304

Part Number	Unit Price	Volume Discount Rate	Ordering Example	Part Number	
				Unit Price	Volume Discount Rate
SENJK	1 ~ 9 pc(s)	10 - 50 pcs.	SENJK	FLYS12-12	

For orders larger than indicated quantity, please check with WOS.

For the other materials and sizes, refer to P2186.