


Positioning Switches

Waterproof/Plastic Tip

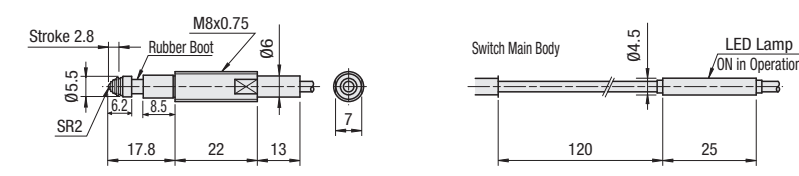
For Mechanical / Electrical Specifications and Precautions for Use, P2095

Waterproof (IP67)

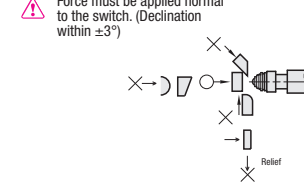


RoHS10

MSTKD-ND (With LED)



Force must be applied normal to the switch. (Declination within ±3°)




- Use within the contact ratings.
- Do not pull or twist the cable with 30N or more.
- Care should be given that bending or twisting force should not be applied on the cable inlets.

Contact Part	Thread	Cable	Accessory
M Material	H Hardness	M Material	A Accessory
SUS440C	50~55HRC	SUS303	Cable 3m, 2-Conductors Ø3, Oil Resistant Min. Bending Radius R7 Hex Nuts 2 pcs. (Thickness 3.2, Hex Socket 10)

Part Number	Stroke	Operating Point	Contact Force N	Contact Logic	Unit Price	
					1 ~ 9 pc(s).	10~20
MSTKD-ND	2.8	0.3 from Tip (Repeatability 0.005)	1	NO (Normally Open)		

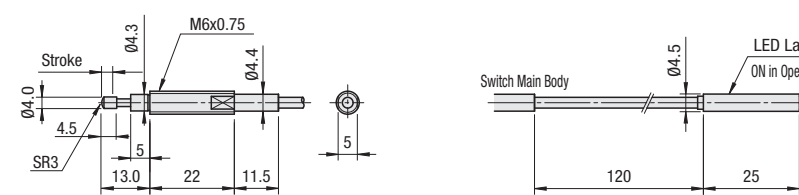
Features: The plastic tip is suitable for detection without causing damages to target objects. For Mechanical / Electrical Specifications and Precautions for Use, P2095

Plastic Tip (IP65)

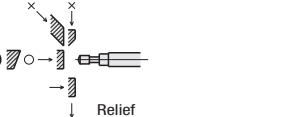


RoHS10

MSTKD-BR N-MSTKD-BRD (With LED)



Force must be applied normal to the switch. (Declination within ±3°)



Stroke will be reduced as the plastic tips wear.

- Use within the contact ratings.
- Do not pull or twist the cable with 30N or more.

Contact Part	Main Body	Cable	Accessory
M Material	M Material	A Accessory	
Polyacetal	SUS303	Cable 3m, 2-Conductors Ø3, Oil Resistant Min. Bending Radius R7 3.2, Hex Socket 8	Hex Nuts 2 pcs. (Thickness 3.2, Hex Socket 8)

Part Number	Stroke	Operating Point	Contact Force N	Contact Logic	MSTKD-BR		N-MSTKD-BRD	
					Unit Price	Volume Discount Rate	Unit Price	Volume Discount Rate
MSTKD-BR N-MSTKD-BRD	2.8	0.3 from Tip	1	NO (Normally Open)	1 ~ 9 pc(s).	10~20	1 ~ 9 pc(s).	10~20


Ordering Example **Part Number**
MSTKD-ND
N-MSTKD-BRD

Positioning Switches

Shape Selectable/Wide Contact Angle

For Mechanical / Electrical Specifications and Precautions for Use, P2095

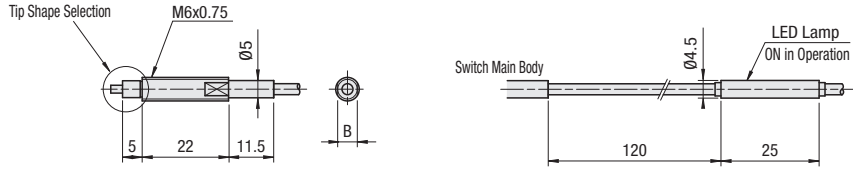
Shape Selectable (IP65)



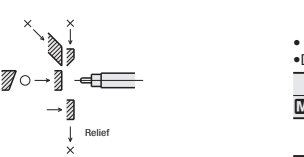
RoHS10

MSTKD-F N-MSTKD-FD (With LED)

Tip Shape Selection

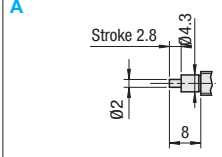


Force must be applied normal to the switch. (Declination within ±3°)

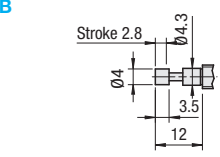


• Tip Shapes

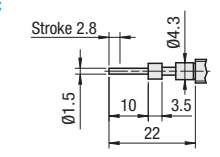
A



B



C




- Use within the contact ratings.
- Do not pull or twist the cable with 30N or more.

Contact Part	Thread	Cable	Accessory
M Material	H Hardness	M Material	A Accessory
SUS420	45~50HRC	SUS303	Cable 3m, 2-Conductors Ø3, Oil Resistant Min. Bending Radius R7 Hex Nut 2 pcs. (Thickness 3.2, Hex Socket 8)

Part Number	Stroke	Operating Point	Contact Force N	Contact Logic	B	MSTKD-F		N-MSTKD-FD	
						Unit Price	Volume Discount Rate	Unit Price	Volume Discount Rate
MSTKD-F N-MSTKD-FD	2.8	From Tip 0.3	1	NO (Normally Open)	5	1 ~ 9 pc(s).	10~20	1 ~ 9 pc(s).	10~20

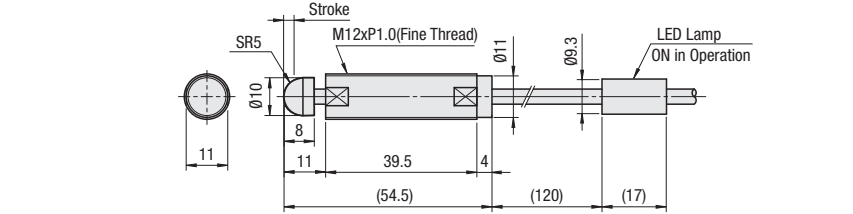
Features: Force can be applied from all angles with the ball bearing in the tip. For Mechanical / Electrical Specifications and Precautions for Use, P2095

Wide Contact Angle (IP65)

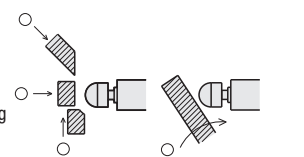


RoHS10

N-MSTKE (With LED)



Suitable for detecting sliding objects, rotating objects, offset or pivoting objects.



- Use within the contact ratings.
- Do not pull or twist the cable with 30N or more.

Contact Part	Thread	Cable	Accessory
M Material	H Hardness	M Material	A Accessory
SUS440C	50~55HRC	SUS303	Cable 2m, 2-Conductors Ø4, Oil Resistant Min. Bending Radius R7 Hex Nut 2 pcs. (Thickness 3, Hex Socket 17)

Part Number	Stroke	Operating Point	Contact Force N	Contact Logic	Unit Price	
					1 ~ 9 pc(s).	10~20
N-MSTKE	2.8	0.3 from Tip (Repeatability 0.005)	1.5	NO (Normally Open)		

Ordering Example **Part Number**
MSTKD-FB
N-MSTKD-FDB