

Round Strut Clamp

Equal Dia., Perpendicular Configuration

Application for design registration

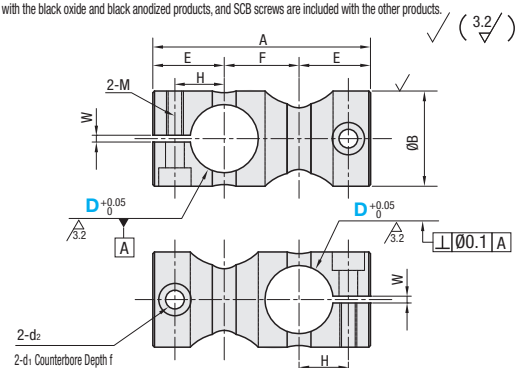
■Features: Round strut clamp with highly efficient workability, capable of easy clamping by providing flats around the shaft bore. Maximum of 44% price reduction is possible compared to similar products (on the right page).

Equal Dia., Perpendicular Configuration



Type	Material	Surface Treatment	Accessory
C-KDST	S45C	Black Oxide	Hex Socket Head Cap Screw (Black Oxide)
C-MDKT	Equivalent	Electroless Nickel Plating	Hex Socket Head Cap Screw (Stainless Steel)
C-ALKD	Aluminum Alloy	Black Anodize	Hex Socket Head Cap Screw (Black Oxide)
C-HLKD	Aluminum Alloy	Clear Anodize	Hex Socket Head Cap Screw (Stainless Steel)

ⓈCB screws are included with the black oxide and black anodized products, and SCB screws are included with the other products.

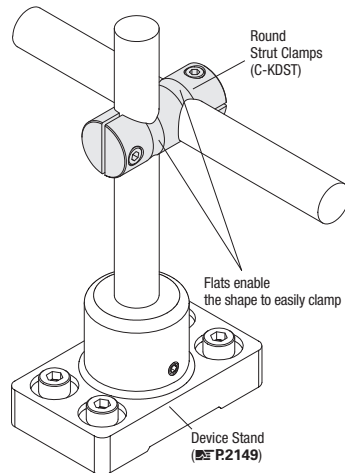


Part Number	Type	D	A	B	E	F	H	W	M (Coarse)	Counterbore		
										d1	d2	f
Equal Dia., Perpendicular Configuration	C-KDST	6	33	12	12.5	8	7.5	1	M3	6.5	3.4	3.3
	C-MDKT	8	40	14	15	10	9	1	M4	8	4.5	4.4
	C-ALKD	10	44	16	16	12	10	2	M4	8	4.5	4.4
	C-HLKD	12	47	18	16.5	14	10.5	2	M4	8	4.5	4.4
	C-KDST	15	55	22	19	17	12.5	2	M5	9.5	5.5	5.4
	C-MDKT	20	64	28	21	22	14.5	2	M5	9.5	5.5	5.4
C-ALKD	25	77	32	25	27	17.5	2	M6	11	6.6	6.5	
C-HLKD	30	87	38	27.5	32	20	2	M6	11	6.6	6.5	

- Ⓢ There is no D dimension 6 for C-KDST and C-MDKT.
- Ⓢ There is no D dimension 30 for C-ALKD and C-HLKD.
- Ⓢ The tolerance and perpendicularity of D^{H7} are before slitting.
- Ⓢ For mating, g6, f8 shaft tolerances are recommended.
- Ⓢ For overview of round strut clamp, refer to P2162

Ordering Example
Part Number: C-KDST20

Example



D	Unit Price			
	C-KDST	C-MDKT	C-ALKD	C-HLKD
6	-	-	-	-
8	-	-	-	-
10	-	-	-	-
12	-	-	-	-
15	-	-	-	-
20	-	-	-	-
25	-	-	-	-
30	-	-	-	-

Included Screw	
D	Included Screw
6	M3- 8
8	M4- 8
10	M4-10
12	M4-12
15	M5-15
20	M5-20
25	M6-22
30	M6-30

Strut Clamps

Equal Dia., Perpendicular Configuration / Reversed

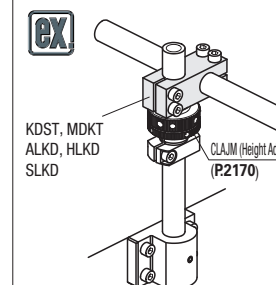
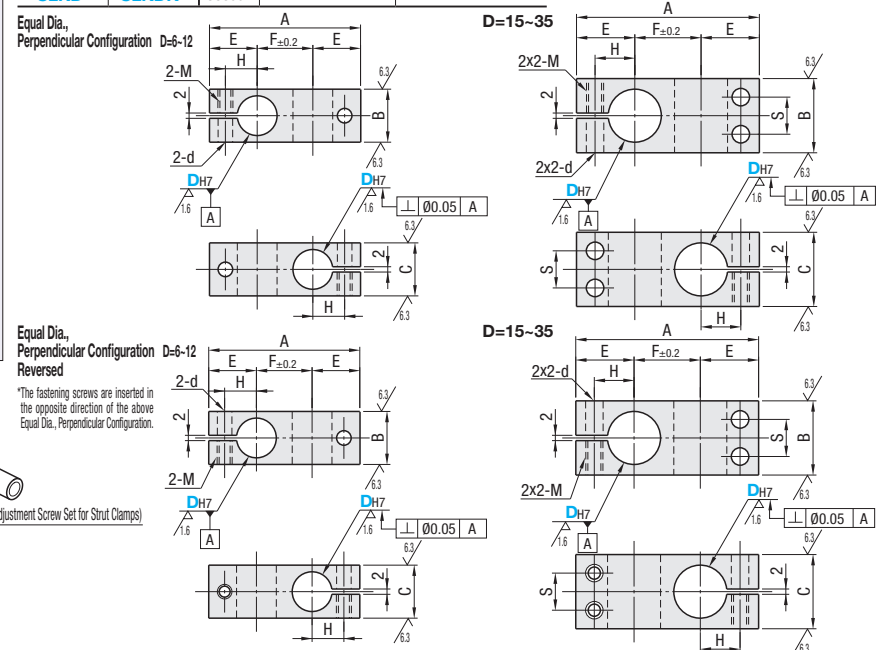
■Features: Most common type of perpendicular configuration with equal diameter

Equal Dia., Perpendicular Configuration



Type	Material	Surface Treatment	Accessory
KDST	Steel for General Structure	Black Oxide	Hex Socket Head Cap Screw
MDKT	Steel for General Structure	Electroless Nickel Plating	Hex Socket Head Cap Screw (Stainless Steel)
ALKD	Aluminum Alloy	Black Anodize	Hex Socket Head Cap Screw
HLKD	Aluminum Alloy	Clear Anodize	Hex Socket Head Cap Screw
SLKD	SUS304	-	Hex Socket Head Cap Screw (Stainless Steel)

ⓈCB screws are included with the black oxide and black anodized products, and SCB screws are included with the other products.



Part Number	Type	D	DH7	A	B	C	E	F	H	S	M (Coarse)	d
Equal Dia., Perpendicular Configuration, Reversed	8	+0.015	41	12	12	14	13	8	-	-	M5	5.5
	10	0	45	16	16	15	15	9	-	-		
Equal Dia., Perpendicular Configuration, Reversed	12	0	49	16	16	16	17	10	-	-	M6	6.6
	15	+0.018	57	22	22	18	21	12	11	-		
Equal Dia., Perpendicular Configuration, Reversed	16	0	69	28	28	22	25	15	14	-	M8	9
	20	+0.021	83	32	32	25	33	18	16	-		
Equal Dia., Perpendicular Configuration, Reversed	25	0	95	40	40	29	37	21	20	-	M8	9
	30	+0.025	107	45	45	32	43	24	24	-		

- Ⓢ D Dimension for SLKD and SLKDK is available up to 30.
- Ⓢ The tolerance and perpendicularity of DH7 are before slitting.
- Ⓢ For mating, g6, f8 shaft tolerances are recommended. Tightening with a long wrench is recommended.
- Ⓢ D Dimension 6 is not available for ALKD, ALKDK, HLKD, HLKDK, SLKD and SLKDK.
- Ⓢ D Dimension 16 is not available for HLKD and Reversed Type.

Ordering Example
Part Number: KDST20

D	Unit Price							
	Equal Dia., Perpendicular Configuration	Equal Dia., Perpendicular Configuration, Reversed	Equal Dia., Perpendicular Configuration, Reversed	Equal Dia., Perpendicular Configuration, Reversed	Equal Dia., Perpendicular Configuration, Reversed	Equal Dia., Perpendicular Configuration, Reversed	Equal Dia., Perpendicular Configuration, Reversed	Equal Dia., Perpendicular Configuration, Reversed
6	-	-	-	-	-	-	-	-
8	-	-	-	-	-	-	-	-
10	-	-	-	-	-	-	-	-
12	-	-	-	-	-	-	-	-
15	-	-	-	-	-	-	-	-
16	-	-	-	-	-	-	-	-
20	-	-	-	-	-	-	-	-
25	-	-	-	-	-	-	-	-
30	-	-	-	-	-	-	-	-
35	-	-	-	-	-	-	-	-

Included Screw	
D	Included Screw
6	M4-10, 2 pcs.
8	M5-12, 2 pcs.
10	M5-15, 2 pcs.
12	M5-15, 2 pcs.
15	M5-20, 4 pcs.
16	M5-20, 4 pcs.
20	M6-25, 4 pcs.
25	M6-30, 4 pcs.
30	M8-35, 4 pcs.
35	M8-40, 4 pcs.