

Compact Strut Clamps

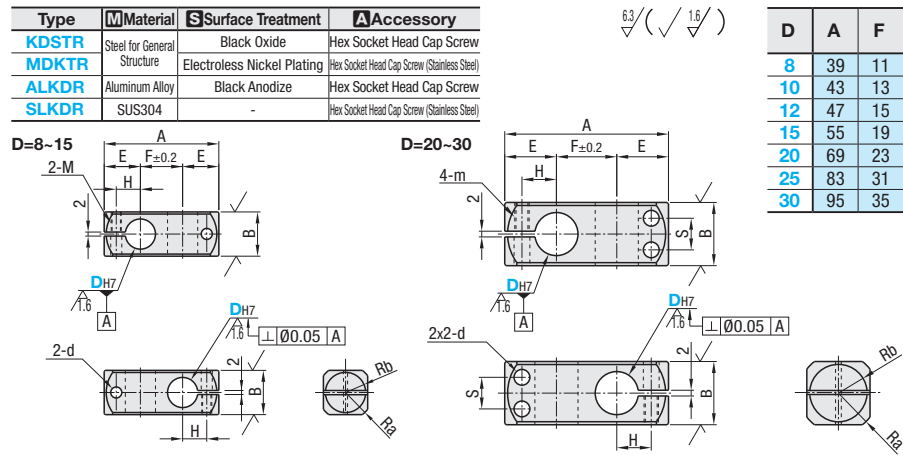
Equal / Unequal Dia., Perpendicular Configuration

■ Features: Compact strut clamp with profile machined on the edge.

Equal Dia., Perpendicular Configuration



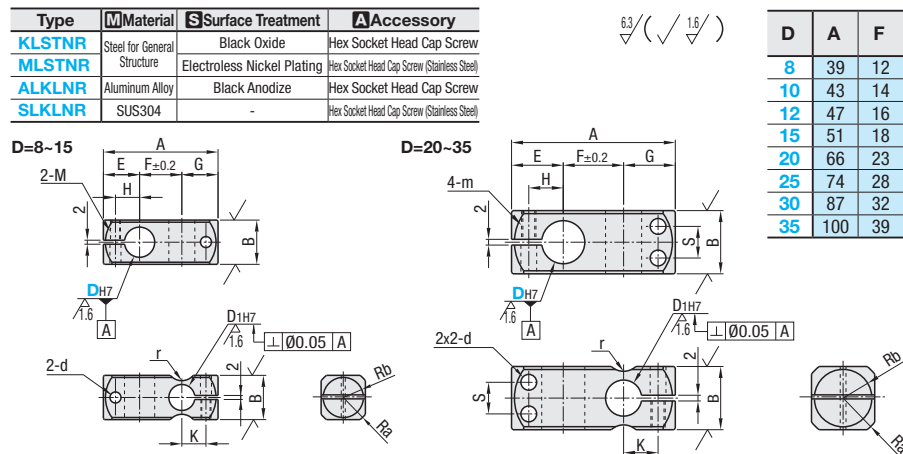
RoHS 10



Unequal Dia., Perpendicular Configuration



RoHS 10



Part Number		DH7	D1H7	B	E	G	H	K	Ra	Rb	r	S	d	M (Coarse)		
Equal Dia., Perpendicular Configuration	Unequal Dia., Perpendicular Configuration	8	+0.015	6	+0.012	12	14	13	8	7	7.6	5	3	5.5	M5	
		10	0	8		16	15	14	9	8	9.8	7	4			
		12	+0.018	10	+0.015	22	18	15	10	9	10.4	-	-			
		15	0	12		22	18	15	12	9	13.8	10	5			
		20	+0.021	15	+0.018	28	23	20	15	12	17.7	13	7.5			11
		25	0	20		32	26	20	18	12	20.9	15	14			14
		30	+0.025	25	+0.021	40	30	25	21	16	25.6	19	10			16
		35	0	30		45	33	28	24	19	29.1	21.5	12.5			18

- ⦿ D dimension 35 is only applicable to MLSTNR and SLKLNR.
- ⦿ The tolerance and perpendicularity of DH7 and D1H7 are the tolerances before slitting.
- ⦿ For mating, g6, f8 shaft tolerances are recommended. Tightening with a long wrench is recommended.

Ordering Example: **Part Number** KDSTR20, KLSTNR20

Equal Dia., Perpendicular Configuration

D	Unit Price			
	KDSTR	MDKTR	ALKDR	SLKDR
8				
10				
12				
15				
20				
25				
30				

Unequal Dia., Perpendicular Configuration

D	Unit Price			
	KLSTNR	MLSTNR	ALKLNR	SLKLNR
8				
10				
12				
15				
20				
25				
30				
35				

Included Screw

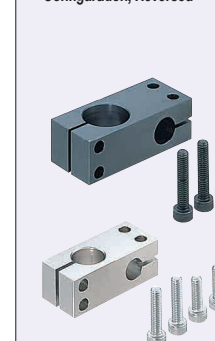
D	Included Screw	
	Equal Dia., Perpendicular Configuration	Unequal Dia., Perpendicular Configuration
8	M5-12, 2 pcs.	M5-12, 4 pcs.
10	M5-15, 2 pcs.	M5-15, 4 pcs.
12	M5-15, 2 pcs.	M5-15, 4 pcs.
15	M6-20, 2 pcs.	M6-20, 4 pcs.
20	M6-25, 2 pcs.	M6-25, 4 pcs.
25	M6-30, 2 pcs.	M6-30, 4 pcs.
30	M8-35, 2 pcs.	M8-35, 4 pcs.
35	-	M8-40, 4 pcs.

Strut Clamps

Unequal Dia., Perpendicular Configuration / Reversed

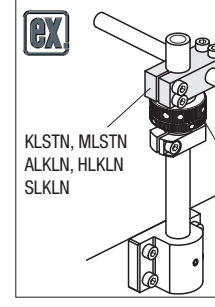
■ Features: Type of perpendicular configuration with different diameter.

Unequal Dia., Perpendicular Configuration

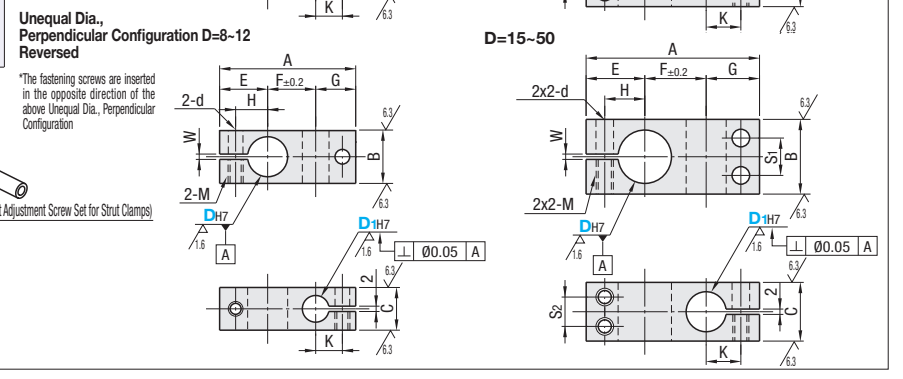
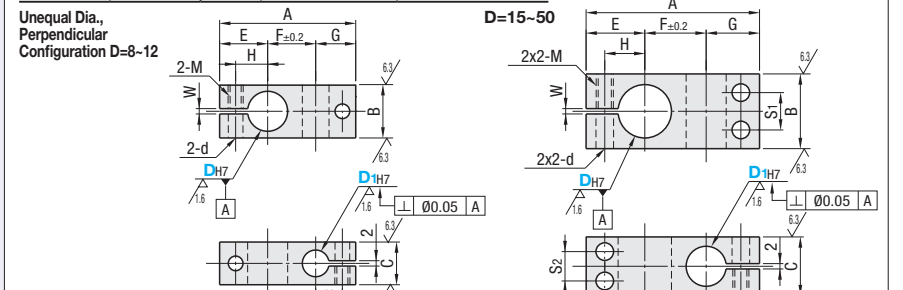
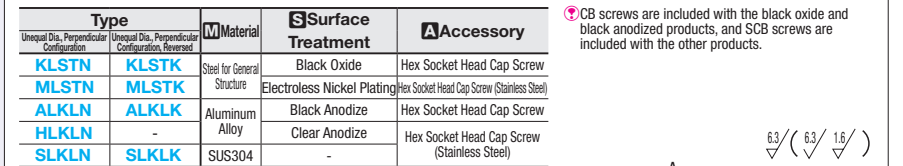


RoHS 10

Unequal Dia., Perpendicular Configuration, Reversed



KLSTN, MLSTN, ALKLN, HLKLN, SLKLN



Part Number		DH7	D1H7	A	B	C	E	F	G	H	K	S1	S2	M (Coarse)	d	W	
Unequal Dia., Perpendicular Configuration	Unequal Dia., Perpendicular Configuration, Reversed	8	+0.015	6	+0.012	37	12	9	13	12	12	8	7	-	-	M4	4.5
		10	0	8		43	12	15	14	14	14	9	8	-	-	M5	5.5
		12	+0.018	10	+0.015	47	16	16	16	16	15	10	9	-	-	M5	5.5
		15	0	12		51	22	18	18	18	15	12	9	11	9	M6	6.6
		20	+0.021	15	+0.018	65	28	22	22	23	20	15	13	14	11	M6	6.6
		25	0	20		73	32	25	25	28	21	13	16	14	15	M8	9
		30	+0.025	25	+0.021	85	40	30	29	32	24	21	16	20	15	M8	9
		35	0	30		98	45	35	32	39	27	24	19	24	20	M8	9
		40	+0.025	30	+0.021	106	50	40	34	43	29	26	21	25	20	M10	11
		50	0	35	+0.025	130	65	50	43	52	35	33	25	32	28	M10	11

- ⦿ D Dimension for SLKLN and SLKLN is available up to 30.
- ⦿ The tolerance and perpendicularity of DH7 and D1H7 are the tolerances before slitting.
- ⦿ D Dimension 8 is not available for ALKLN, ALKLN, HLKLN, SLKLN, or SLKLN.
- ⦿ D1 Dimension 16 is not available for HLKLN and Reversed Type.
- ⦿ For mating, g6, f8 shaft tolerances are recommended. Tightening with a long wrench is recommended.

Ordering Example: **Part Number** - **D1** KLSTN20 - 15

D	Unit Price								
	Unequal Dia., Perpendicular Configuration				Unequal Dia., Perpendicular Configuration, Reversed				
	KLSTN	ALKLN	MLSTN	HLKLN	SLKLN	KLSTK	ALKLK	MLSTK	SLKLK
8									
10									
12									
15									
20									
25									
30									
35									
40									
50									

Included Screw

D	Included Screw
8	M4-8/M4-12, 1 pc. each
10	M5-12/M5-10, 1 pc. each
12	M5-15, 2 pcs.
15	M5-20/M5-15, 2 pcs. each
20	M6-25/M6-20, 2 pcs. each
25	M6-30/M6-25, 2 pcs. each
30	M8-35/M8-30, 2 pcs. each
35	M8-40/M8-35, 2 pcs. each
40	M8-45/M8-40, 2 pcs. each
50	M10-55/M10-45, 2 pcs. each