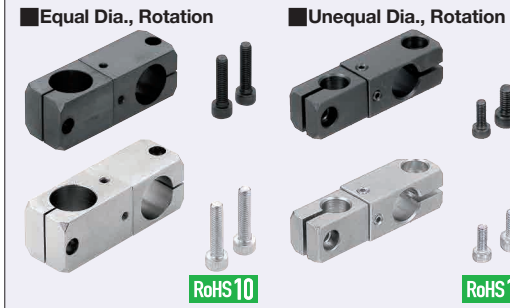


# Strut Clamps

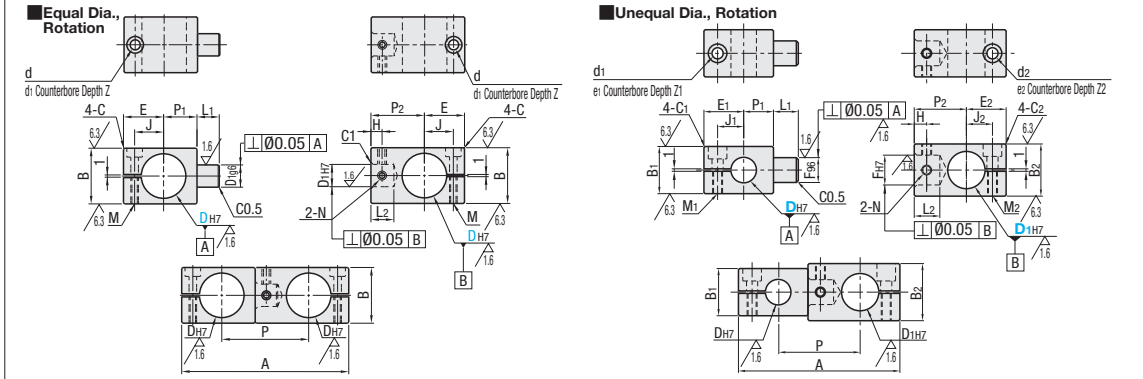
## Equal / Unequal Dia., Rotation

■ Features: Angle adjustments are possible between posts



Type		Material	Surface Treatment	Accessory
Equal Dia., Rotation	Unequal Dia., Rotation			
KLSR	KDSR	SS400	Black Oxide	Hex Socket Head Set Screw
MLKR	MDKR		Electroless Nickel Plating	
ALKR	ADKR	A6063	Black Anodize	
SLKR	SDKR	SUS304	-	

⚠ Accessory: CB screws (P2-171) and MSSK (P2-210) are included with black oxide/black anodized products, and SCB screws (P2-173) and MSSU (P2-210) are included with the other products, respectively.



Part Number		D <sub>1</sub>	g6	H7	A	B	P	P <sub>1</sub>	P <sub>2</sub>	L <sub>1</sub>	L <sub>2</sub>	E	H	J	M	N	d	d <sub>1</sub>	Z	C
Type	DH <sub>7</sub>																			
KLSR	8	5	-0.004	+0.012	42	12	19	7	12	6	6.3	11.5	3	7	M3	M3	3.5	6.0	3	2
	10				51	13	23	9	14											
MLKR	12	10	-0.005	+0.015	57	15	26	11	15	10	10.3	16.0	5	10.5	M4	M4	4.5	7.5	5	3
ALKR	15				65	19	33	12	21											
SLKR	20	10	-0.014	0	76	25	39	15	24	10	10.3	22.0	5	16	M5	M5	5.5	9.0	5.5	4
25	88				30	44	18	26	18.5											

⚠ The tolerance and perpendicularity of DH<sub>7</sub> are before slitting. ⚠ For mating, g6, f8 shaft tolerances are recommended. Tightening with a long wrench is recommended.

Part Number		D <sub>1H7</sub>	F	g6	H7	A	B <sub>1</sub>	B <sub>2</sub>	P	P <sub>1</sub>	P <sub>2</sub>	L <sub>1</sub>	L <sub>2</sub>	E <sub>1</sub>	E <sub>2</sub>	H	J <sub>1</sub>	J <sub>2</sub>	M	N	d <sub>1</sub>	d <sub>2</sub>	e <sub>1</sub>	e <sub>2</sub>	Z <sub>1</sub>	Z <sub>2</sub>	C <sub>1</sub>	C <sub>2</sub>	
Type	DH <sub>7</sub>																												
KDSR	8	10	5	-0.004	+0.012	46.5	12	13	21	7	14	6	6.3	11.5	14	3	7	9	M3	M4	M3	3.5	4.5	6	7.5	3	5	2	2
	8					49	12	15	22	7	15																		
MDKR	10	10	10	-0.005	+0.015	53.5	13	15	24	9	15	10	10.3	14	15.5	5	9	10	M4	M4	M3	4.5	4.5	7.5	7.5	5	5	2	2
ADKR	15					70.5	19	25	36	12	24																		
SDKR	15	10	10	-0.014	0	76	19	30	38	12	26	10	10.3	16	22	5	10.5	16	M4	M5	M5	4.5	5.5	7.5	9	5	5.5	3	4
20	81.5					25	30	41	15	26	18.5																		

⚠ The tolerance and perpendicularity of DH<sub>7</sub> and D<sub>1H7</sub> are the tolerances before slitting. ⚠ For the available sizes, refer to the price list. ⚠ For mating, g6, f8 shaft tolerances are recommended. Tightening with a long wrench is recommended.

Ordering Example: Part Number MLKR10 - D<sub>1</sub> KDSR8 - 12

D	Unit Price			
	KLSR	MLKR	ALKR	SLKR
8				
10				
12				
15				
20				
25				

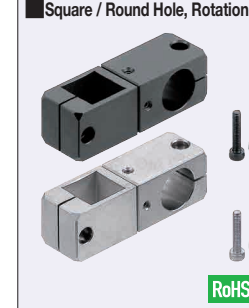
D-D <sub>1</sub>	Unit Price			
	KDSR	MDKR	ADKR	SDKR
8-10				
8-12				
10-12				
15-20				
15-25				
20-25				

D	Included Screw	
	Equal Dia., Rotation	Unequal Dia., Rotation
8	M3-8, 2 pcs.	M3-8/M4-8, 1 pc. each
10	M4-8, 2 pcs.	M3-8/M4-10, 1 pc. each
12	M4-10, 2 pcs.	M4-8/M4-10, 1 pc. each
15	M4-12, 2 pcs.	M4-12/M4-20, 1 pc. each
20	M4-20, 2 pcs.	M4-12/M5-20, 1 pc. each
25	M5-20, 2 pcs.	M4-20/M5-20, 1 pc. each

# Strut Clamps

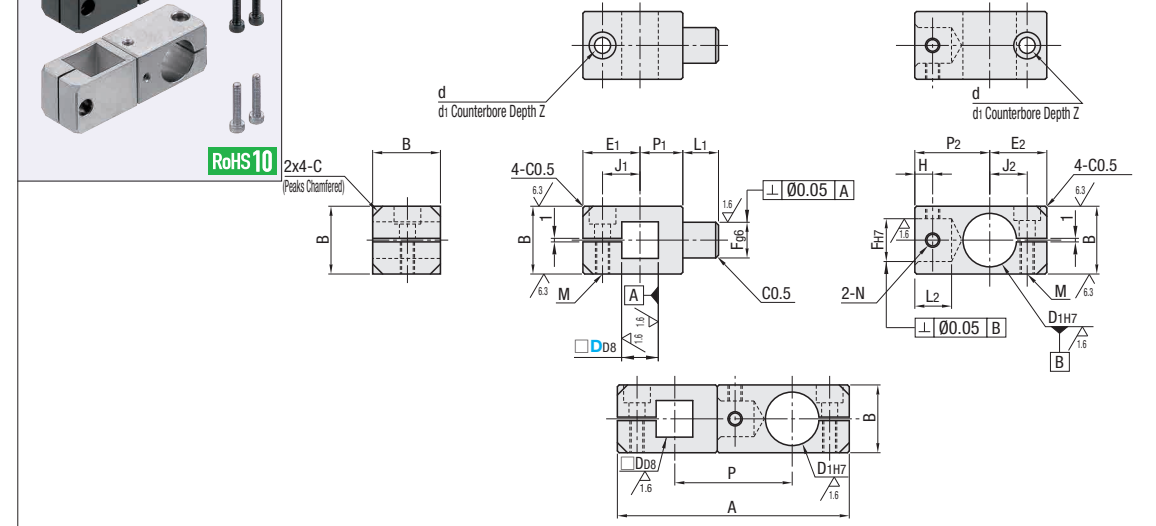
## Square / Round Hole, Rotation

■ Features: Combined with Square Tubes and Stand-Up Brackets, Strut Clamps can prevent rotation while adjusting height.



Type	Material	Surface Treatment	Accessory
KHKR	SS400	Black Oxide	Hex Socket Head Set Screw
MHKR		Electroless Nickel Plating	
AHKR	A6063	Black Anodize	
SHKR	SUS304	-	

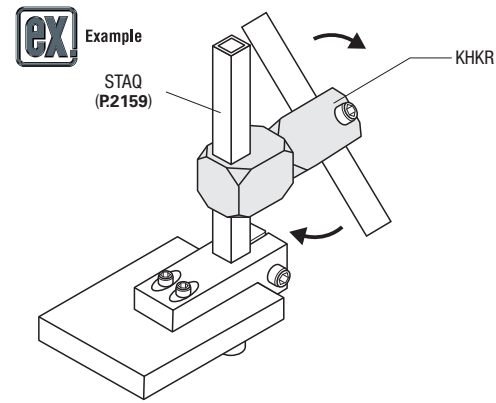
⚠ Accessory: CB screws (P2-171) and MSSK (P2-210) are included with black oxide/black anodized products, and SCB screws (P2-173) and MSSU (P2-210) are included with the other products, respectively.



Part Number		D <sub>1H7</sub> *	F	g6	H7	A	B	P	P <sub>1</sub>	P <sub>2</sub>	L <sub>1</sub>	L <sub>2</sub>	E <sub>1</sub>	E <sub>2</sub>	H	J <sub>1</sub>	J <sub>2</sub>	M	N	d	d <sub>1</sub>	Z	C
Type	DD8*																						
KHKR	8	8	5	-0.004	+0.012	43	12	19	7	12	6	6.3	12.5	11.5	3	8	7	M3	M3	3.5	6	3	2
	10					52	13	23	9	14													
MHKR	12	10	10	-0.005	+0.015	58	15	26	11	15	10	10.3	16.5	15.5	5	12.5	10.5	M4	M4	4.5	7.5	5	3
AHKR	15					67	19	33	12	21													
SHKR	20	10	10	-0.014	0	78	25	39	15	24	10	10.3	20.5	18.5	5	15	13	M5	M5	5.5	9	5.5	4
25	90					30	44	18	26	24													

\* The tolerance and perpendicularity of D<sub>08</sub> and D<sub>1H7</sub> are the tolerances before slitting. ⚠ For mating, g6, f8 shaft tolerances of D<sub>1</sub> are recommended. Tightening with a long wrench is recommended.

Ordering Example: Part Number KHKR20



D	Unit Price			
	KHKR	MHKR	AHKR	SHKR
8				
10				
12				
15				
20				
25				

Included Screw

D	Included Screw
8	M3-8, 2 pcs.
10	M4-8, 2 pcs.
12	M4-10, 2 pcs.
15	M4-12, 2 pcs.
20	M4-20, 2 pcs.
25	M5-20, 2 pcs.

Example Selection Procedure Details P87

e-Catalog Search Keyword #MA843 Search

e-Catalog Search Keyword #MA846 Search

\* Enter the search keyword in the search box on e-Catalog. The search result will be shown in "Modular Assembler" area.