


Shaft Supports Flanged Mount - Standard


Standard - Through/Tapped Mounting Holes / Long Sleeve / With Pilot / With Dowel Holes

■ **Features:** Tapped Mounting Hole Type is suitable when tapping is difficult due to insufficient mounting plate strength (aluminum) or thickness.

■ **Standard** Through Mounting Holes, Tapped Mounting Holes



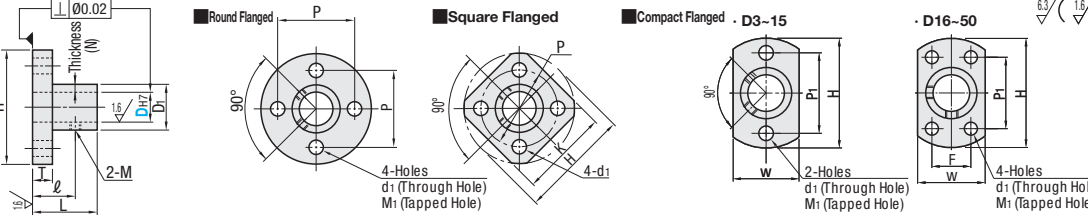
■ **Long Sleeve**



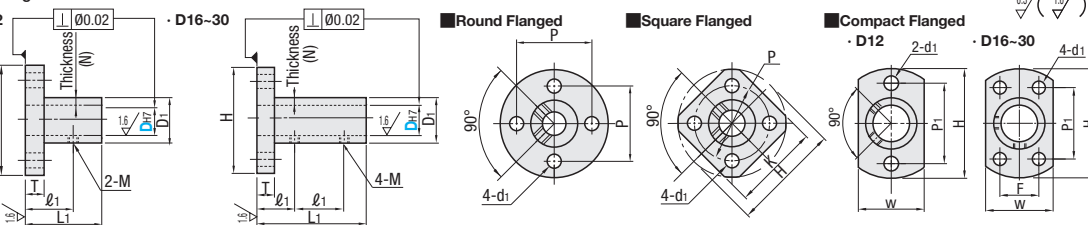
Type	Through Mounting Holes			Tapped Mounting Holes			Material	Surface Treatment
	Round Flanged	Square Flanged	Compact Flanged	Round Flanged	Square Flanged	Compact Flanged		
Standard	STHRB	STHSB	STHCB	STHRBT	STHCBT	-	General Structural Steel	Black Oxide
	STHR	STHS	STHC	STHRT	STHCT	-		Electroless Nickel Plating
	SSTHR	SSTHS	SSTHC	SSTHRT	SSTHCT	-		SUS304
Long Sleeve	ATHR	ATHS	ATHC	-	-	-	Aluminum Alloy	Clear Anodize
	STHRBL	STHSBL	STHCL	-	-	-	General Structural Steel	Black Oxide
	STHRL	STHSL	STHCL	-	-	-	SUS304	Electroless Nickel Plating

⚠ See Alterations section for inclusion of a Hex Socket Set Screw.

■ **Standard Type with Through/Tapped Mounting Holes**



■ **Long Sleeve**



Part Number	Type	DH7	Sleeve Thickness (N)	L	L1	D1	H	T	ℓ	ℓ1	M (Coarse)	P	K	W	P1	F	d1	M1 (Coarse)	Unit Price																					
																			Round Flanged	Square Flanged	Compact Flanged																			
Standard - Through Mounting Holes																				3	+0.010 0	2.5	10	-	8	22	3	7	-	M3	15	16	8	15	-	-	-	3.5	-	-
Round Flanged	Square Flanged	Compact Flanged	4	+0.012 0	10	-	9	24	3	7	M3	17	19	9	17	-	-	-	-	-	-																			
STHRB	STHSB	STHCB	5	+0.012 0	12	-	10	25	3.5	7	M3	18	20	10	18	-	-	-	-	-	-																			
STHR	STHS	STHC	6	+0.012 0	15	-	12	28	3.5	7	M3	20	22	12	20	-	-	-	-	-	-																			
SSTHR	SSTHS	SSTHC	8	+0.015 0	16	-	12	28	5	10	M4	20	22	16	20	-	-	-	-	-	-																			
ATHR	ATHS	ATHC	8M ²	+0.015 0	2	-	14	30	-	12	M3	22	23	18	22	-	-	-	-	-	-																			
			10	+0.015 0	20	-	14	30	-	12	M4	22	23	18	22	-	-	-	-	-	-																			
			10M ²	+0.015 0	20	-	14	30	-	12	M4	22	23	18	22	-	-	-	-	-	-																			
Standard Type with Tapped Mounting Holes (Only for D dimension denoted with "1" mark)																				12 ²	+0.018 0	2.5	24	30	16	36	15	15	M4	26	28	20	26	-	-	-	-	-	-	
STHRBT	STHCBT	13	+0.018 0	30	-	18	38	18	-	M4	28	30	22	28	-	-	-	-	-	-	-																			
STHRT	STHCT	15 ²	+0.018 0	30	-	20	40	18	-	M4	30	32	24	30	-	-	-	-	-	-	-																			
SSTHRT	SSTHCT	16 ²	+0.018 0	3	32	48	22	42	19	16	32	33	26	28	16	-	-	-	-	-	-																			
		18	+0.018 0	5	32	-	28	50	8	20	39	39	32	31	22	-	-	-	-	-	-																			
		20 ²	+0.021 0	4	32	48	28	50	8	20	39	39	32	31	22	-	-	-	-	-	-																			
		25 ²	+0.021 0	4	38	57	33	55	8	23	44	44	37	36	24	-	-	-	-	-	-																			
		30 ²	+0.025 0	5	40	-	45	80	10	-	52	52	42	41	27	-	-	-	-	-	-																			
		35	+0.025 0	5	60	-	60	90	10	-	65	65	55	56	33	-	-	-	-	-	-																			
		40	+0.025 0	10	50	-	60	90	10	-	75	75	65	65	38	-	-	-	-	-	-																			
		50	+0.025 0	10	70	-	70	100	10	-	85	90	75	74	43	-	-	-	-	-	-																			

⚠ Tapped Mounting Hole Type is available only for D dimension denoted with "1" mark. ⚠ Long Sleeve Type is available only for D dimension denoted with "1" mark. ⚠ Only S400 Equivalent and SUS304 are applicable to D dimension 8M and 10M (A6061 is not applicable).

■ **Standard**

D	Round Flanged			Square Flanged			Compact Flanged		
	STHRB	STHR	SSTHR	STHSB	STHS	SSTHS	STHCB	STHC	SSTHC
3	-	-	-	-	-	-	-	-	-
4	-	-	-	-	-	-	-	-	-
5	-	-	-	-	-	-	-	-	-
6	-	-	-	-	-	-	-	-	-
8, 8M ²	-	-	-	-	-	-	-	-	-
10, 10M ²	-	-	-	-	-	-	-	-	-
12 ²	-	-	-	-	-	-	-	-	-
13	-	-	-	-	-	-	-	-	-
15 ²	-	-	-	-	-	-	-	-	-
16 ²	-	-	-	-	-	-	-	-	-
18	-	-	-	-	-	-	-	-	-
20 ²	-	-	-	-	-	-	-	-	-
25 ²	-	-	-	-	-	-	-	-	-
30 ²	-	-	-	-	-	-	-	-	-
35	-	-	-	-	-	-	-	-	-
40	-	-	-	-	-	-	-	-	-
50	-	-	-	-	-	-	-	-	-

■ **Long Sleeve**


D	Round Flanged			Square Flanged			Compact Flanged		
	STHRBL	STHRL	SSTHRL	STHSBL	STHSL	SSTHSL	STHCL	STHCL	SSTHCL
12	-	-	-	-	-	-	-	-	-
16	-	-	-	-	-	-	-	-	-
20	-	-	-	-	-	-	-	-	-
25	-	-	-	-	-	-	-	-	-
30	-	-	-	-	-	-	-	-	-

■ **Notes on Selecting Standard Type**
 ⚠ Tapped Mounting Hole Type is available only for D dimension denoted with "1" mark.
 ⚠ Aluminum is not available for products with D dimension 8M and 10M.

Ordering Example Part Number: **STHRL10**

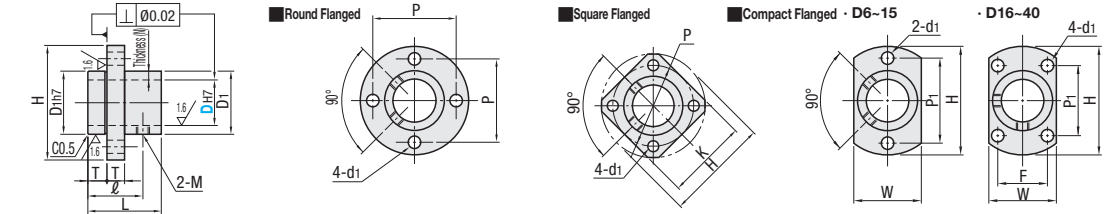
■ **Features:** Easy positioning during assembly.

■ **With Pilot**



Round Flanged	Square Flanged	Compact Flanged	Material	Surface Treatment
STHRB	STHSB	STHCB	General Structural Steel	Black Oxide
STHR	STHS	STHC	Equivalent	Electroless Nickel Plating
SSTHR	SSTHS	SSTHC	SUS304	-


⚠ See Alterations section for inclusion of a Hex Socket Set Screw.



Part Number	Type	DH7	Sleeve Thickness (N)	L	D1	H	T	ℓ	M (Coarse)	P	K	W	P1	F	d1	Unit Price		
																Round Flanged	Square Flanged	Compact Flanged
6	Round Flanged	+0.012 0	3	15	12	28	3.5	11	M3	20	22	12	20	-	3.5	-	-	
8	Square Flanged	+0.015 0	2	18	14	30	5	14	M4	22	23	18	22	-	4.5	-	-	
8M	Compact Flanged	+0.018 0	2.5	24	16	36	18	15	M3	26	28	20	26	-	3.5	-	-	
10	Round Flanged	+0.018 0	2	20	14	30	6	21	M4	30	32	24	30	-	4.5	-	-	
10M	Square Flanged	+0.021 0	3	32	22	42	22	22	M5	32	33	26	28	16	-	-	-	
12	Compact Flanged	+0.021 0	4	32	28	50	8	24	M5	39	39	32	31	22	-	-	-	
15	Round Flanged	+0.025 0	10	50	60	90	10	35	M6	52	52	42	41	27	6.6	-	-	
16	Square Flanged	+0.025 0	10	50	60	90	10	35	M6	75	75	65	65	38	9	-	-	
20	Compact Flanged	+0.025 0	10	50	60	90	10	35	M6	75	75	65	65	38	9	-	-	
25	Round Flanged	+0.025 0	10	50	60	90	10	35	M6	75	75	65	65	38	9	-	-	
30	Square Flanged	+0.025 0	10	50	60	90	10	35	M6	75	75	65	65	38	9	-	-	
40	Compact Flanged	+0.025 0	10	50	60	90	10	35	M6	75	75	65	65	38	9	-	-	

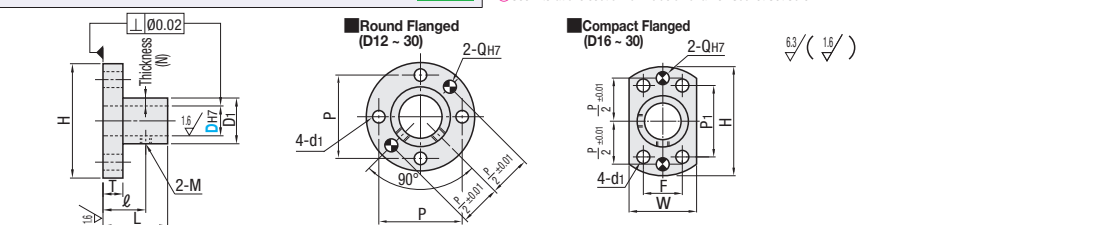
Ordering Example Part Number: **STHR10**

■ **With Dowel Holes**



Round Flanged	Compact Flanged	Material	Surface Treatment
STHRBK	STHCBK	S45C	Black Oxide
STHRK	STHCK	Equivalent	Electroless Nickel Plating
SSTHRK	SSTHCK	SUS304	-

⚠ See Alterations section for inclusion of a Hex Socket Set Screw.



Part Number	Type	DH7	Sleeve Thickness (N)	L	D1	H	T	ℓ	M (Coarse)	P	W	P1	F	d1	Q	Unit Price		
																Round Flanged	Square Flanged	Compact Flanged
12	Round Flanged	+0.018 0	2.5	24	16	36	6	15	M4	26	20	28	-	4	-	-		
13	Square Flanged	+0.018 0	2.5	24	18	38	6	15	M4	28	22	28	-	4	-	-		
15	Compact Flanged	+0.018 0	2.5	30	20	40	6	18	M4	30	24	30	-	4	-	-		
16	Round Flanged	+0.018 0	3	32	22	42	6	19	M4	32	26	28	16	-	-	-		
18	Square Flanged	+0.021 0	4	32	28	50	8	20	M5	39	32	31	22	-	-	-		
20	Compact Flanged	+0.021 0	4	32	28	50	8	20	M5	39	32	31	22	-	-	-		
25	Round Flanged	+0.021 0	4	38	33	55	8	23	M6	44	37	36	24	-	-	-		
30	Square Flanged	+0.021 0	4	38	33	55	8	23	M6	44	37	36	24	-	-	-		
30	Compact Flanged	+0.021 0	4	38	33	55	8	23	M6	44	37	36	24	-	-	-		

⚠ Compact Flange Type is available only for D dimensions 16-30.

Ordering Example Part Number: **SSTHCK20**

Alterations Part Number: (MB) STHR10, (MB) STHRL20

Code	Hex Socket Set Screw Included
MB	MB

Spec. Hex socket set screws come with as a set. Screw head may protrude from outer cylinder (D1). Included screws are SCM435 (Black Oxide) for Black Oxide and Black Anodized Products. Products other than above are SUS products. Long Sleeve Type comes with 4 set screws; others come with 2 set screws.

D	M x Length
3, 4, 5, 6, 8, 10	M3x3
8M, 10M, 12, 13, 15, 16	M4x3
18, 20, 25	M5x4
30, 35, 40, 50	M6x5