

Shaft Supports - Flanged Slit (Cast)

Standard / Long Sleeve

■Features: Most economical and popular shaft support. Machined products are recommended for precision requiring applications.

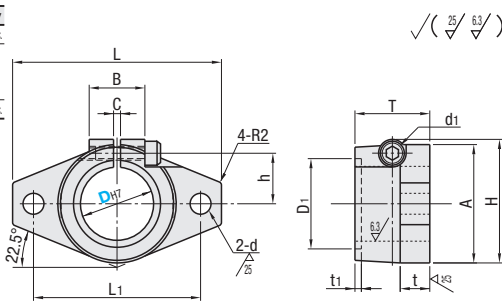
Standard



Type	Material	Surface Treatment	Accessory
SHFT	S45C	Black Oxide	Hex Socket Head Cap Screw 1 pc.
SHFM	Equivalent	Electroless Nickel Plating	Hex Socket Head Cap Screw 1 pc. (SUS)
SHFSS	SUS304 Equivalent	-	Hex Socket Head Cap Screw 1 pc. (SUS)
SHF	AC7A	Clear Anodize	Hex Socket Head Cap Screw 1 pc. (SUS)
SHFD	AC7A	Black Anodize	Hex Socket Head Cap Screw 1 pc. (SUS)

Ⓢ Depending on the type and size, 2 cutouts may be provided.

Ⓢ Slit is machined after the mounting hole D is bored to H7 tolerance. The tolerance may become H8 or so depending on the machining condition.



Part Number Type	D	L	T	t	H	A	L1	d	d1	D1	t1	B	C	h	Tightening Screw M	Mass g	Unit Price								
																	SHFT	SHFM	SHFSS	SHF	SHFD				
D8-16, 20-50 SHFT SHFM SHFSS	3															32(11)									
	4															32(11)									
	5															32(11)									
	6															32(11)									
	8	43	10	5	24	20	32			10		1.5		2	9.5	M4	29(10)								
	10							5.5	9							M4	29(10)								
D3-50 SHF	12	47	13	7	28	25	36							11		52(18)									
	13													12.5		52(18)									
	15	50	16	8	31	28	40								M5	64(22)									
	16															M5	64(22)								
D8-16, 20-30 SHFD	20	60	20		37	34	48	7	10	24	2			15		110(38)									
	25	70	25	10	42	40	56							17		110(38)									
	30	80	30	12	50	46	64	9	12	35				21	M6	278(96)									
	35	92	35	14	58	50	72	12	15	40				25.5	M8	350(121)									
	40	102	40	16	67	56	80	12	18	45	3			30	M10	500(173)									
	50	122	50	19	83	70	96	14	20	55				38	M12	952(329)									

Ⓢ Values in () are the mass for aluminum products.

■Features: MISUMI's original. Longer sleeve than standard type enhances strength against falling.

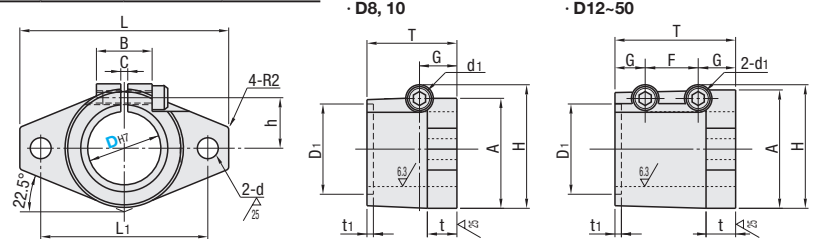
Long Sleeve



Type	Material	Surface Treatment	Accessory
SHFTL	S45C	Black Oxide	Hex Socket Head Cap Screw 2 pcs.
SHFML	Equivalent	Electroless Nickel Plating	Hex Socket Head Cap Screw 2 pcs. (SUS)
SHFSSL	SUS304 Equivalent	-	Hex Socket Head Cap Screw 2 pcs. (SUS)
SHFL	AC7A	Clear Anodize	Hex Socket Head Cap Screw 2 pcs. (SUS)
SHFDL	AC7A	Black Anodize	Hex Socket Head Cap Screw 2 pcs. (SUS)

Ⓢ D dimension 8 and 10 come with 1 screw.

Ⓢ Slit is machined after the mounting hole D is bored to H7 tolerance. The tolerance may become H8 or so depending on the machining condition.



Part Number Type	D	L	T	t	H	A	L1	d	d1	D1	t1	B	C	h	G	F	Tightening Screw M	Mass g	Unit Price						
																			SHFTL	SHFML	SHFSSL	SHFL	SHFDL		
D8-50 SHFTL SHFML SHFSSL SHFL	8	43	20	5	25.5	20	32			10		1.5		2	10.5	10		M5	51(18)						
	10																	M5	47(17)						
	12	47	28	7	28	25	36	5.5							11	7	14		M4	91(32)					
	13														12.5	8	16		M4	87(30)					
	15	50	32	8	31	28	40								15	10	20		M5	114(41)					
	16														17	12.5	25		M5	112(39)					
D8-13, 16-30 SHFDL	20	60	40		37	34	48	7	10	24	2			15	10	20		M5	191(66)						
	25	70	50	10	42	40	56							17	12.5	25		M5	300(104)						
	30	80	60	12	50	46	64	9	12	35				21	15	30		M6	450(156)						
	35	92	70	14	58	50	72	12	15	40				25.5	17.5	35		M8	592(205)						
	40	102	80	16	67	56	80	12	18	45	3			30	20	40		M10	831(288)						
	50	122	90	19	83	70	96	14	20	55				38	22.5	45		M12	1446(410)						

Ⓢ Values in () are the mass for aluminum products.

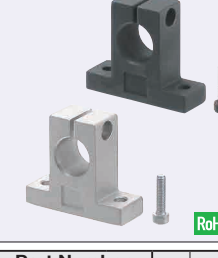
Ordering Example Part Number SHFTL16

Shaft Supports - T-Shaped Slit (Cast)

Standard / Wide

■Features: Most economical and popular shaft support. Wide Type has longer shaft holding section than Standard Type and has enhanced gripping power.

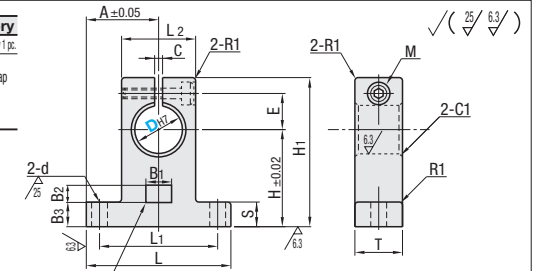
Standard



Type	Material	Surface Treatment	Accessory
SHAT	S45C	Black Oxide	Hex Socket Head Cap Screw 1 pc.
SHAM	Equivalent	Electroless Nickel Plating	Hex Socket Head Cap Screw 1 pc. (SUS)
SHASS	SUS304 Equivalent	-	Hex Socket Head Cap Screw 1 pc. (SUS)
SHA	AC7A	Clear Anodize	Hex Socket Head Cap Screw 1 pc. (SUS)
SHAKD	AC7A	Black Anodize	Hex Socket Head Cap Screw 1 pc. (SUS)

Ⓢ Slit is machined after the mounting hole D is bored to H7 tolerance. The tolerance may become H8 or so depending on the machining condition.

Cast Character



Part Number Type	No.	D	H	L	H1	T	L1	d	L2	A	S	E	C	B1	B2	B3	Tightening Screw M	Mass g	Unit Price				
																			SHAT	SHAM	SHASS	SHA	SHAKD
SHAT SHAM SHASS SHA SHAKD	3	3																69(24)					
	4	4																69(24)					
	5	5	20			32.8												69(24)					
	6	6								18			7.8	2				58(20)					
	*815	8	15			28												69(24)					
	*8	8	15	42		32.8	14	32			21	6						69(24)					
	*10	10	20						5.5									69(24)					
	*1220	12	23			35							9.5					69(24)					
	*12	12	23			37.5												87(30)					
	*1320	13	20			35												69(24)					
	*13	13	23			37.5												87(30)					
	*15	15	27			44												116(40)					
	*1625	16	25	48		42	16	38		25	24	8	12				14	121(42)					
	*16	16	27			44												116(40)					
	*18	18	31			51												202(70)					
	*2025	20	25	60		45	20	45		30	30	10	14	2.5				191(66)					
	*2030	20	30			50			6.6									214(74)					
	*20	20	31			51												202(70)					
	*2530	25	30	70		55	24	56		38	35		17					381(132)					
	*25	25	35	70		60												376(130)					
*3030	30	30	84		58	28	64	9	44	42		21					474(164)						
*30	30	42	84		70												520(180)						
*35	35	50	98		82	32	74	11	50	49	15	24					780(270)						
*40	40	60	114		96	36	90		60	57		27					1213(420)						
*50	50	70	126		120	40	100	14	74	63	18	38					2167(750)						

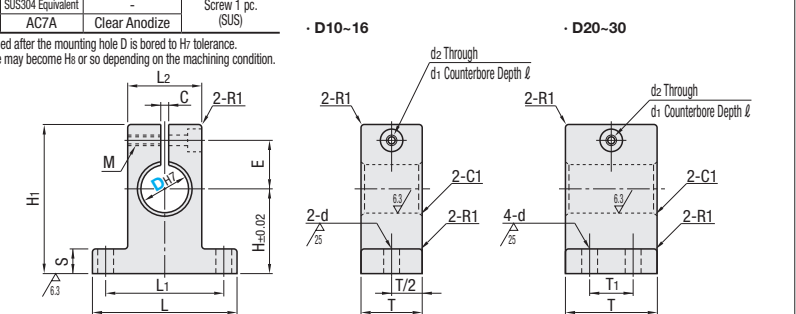
Ⓢ Values in () are the mass for aluminum products. Ⓢ SHAT, SHAM and SHASS are only available in sizes denoted with * mark.

Wide



Type	Material	Surface Treatment	Accessory
SHATN	S45C	Black Oxide	Hex Socket Head Cap Screw 1 pc.
SHAMN	Equivalent	Electroless Nickel Plating	Hex Socket Head Cap Screw 1 pc. (SUS)
SHASSN	SUS304 Equivalent	-	Hex Socket Head Cap Screw 1 pc. (SUS)
SHAN	AC7A	Clear Anodize	Hex Socket Head Cap Screw 1 pc. (SUS)

Ⓢ Slit is machined after the mounting hole D is bored to H7 tolerance. The tolerance may become H8 or so depending on the machining condition.



Part Number Type	D	H	L	H1	T	T1	L1	d	L2	S	E	C	Tightening Screw M	d1	d2	ℓ	Mass g	Unit Price				
																		SHATN	SHAMN	SHASSN	SHAN	
SHATN SHAMN SHASSN SHAN	10	20	44	40	20		32		18	8	13		5	9	5.5	5.5	129(44)					
	12																124(43)					
	16	25	52	48	25		40		25		15	2	6	11	6.6	6.5	244(84)					
	20							6.6	30	10	19							408(140)				
	25	30	66	61	35	18	46		35		22		8	14	9	9		526(181)				
	30						20		65	44	12	24	3					790(272)				

Ⓢ Values in () are the mass for aluminum products.

Ordering Example Part Number SHASSN30 SHAT1220 SHATN20 SHASSN16