

Shaft Supports - L-Shaped (Cast)

Standard / Slit

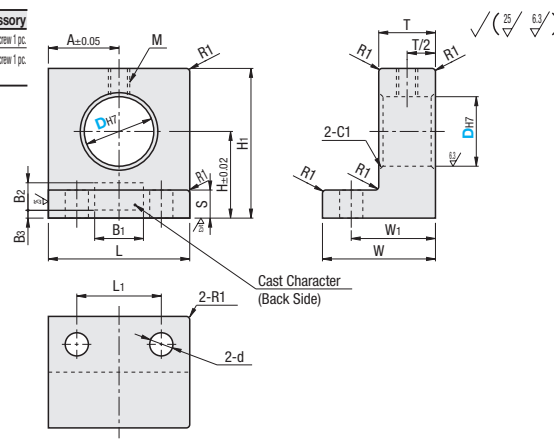
■ Features : Cast manufacturing enabled more economical prices than the other machined products of the same type.

Standard



RoHS10

Type	M Material	S Surface Treatment	A Accessory
SHKLB	S45C Equivalent	Black Oxide	Hex Socket Set Screw 1 pc.
SHKLM	S45C Equivalent	Electroless Nickel Plating	Hex Socket Set Screw 1 pc. (SUS)
SHKLS	SUS304 Equivalent	-	-



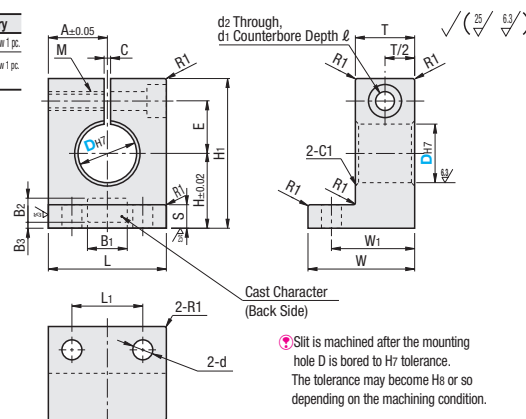
Part Number Type	D	H	L	H1	T	S	W	W1	A	Tightening Screw M	L1	d	B1	B2	B3	Mass g	Unit Price		
																	SHKLB	SHKLM	SHKLS
SHKLB SHKLM SHKLS	8	15		24						M4	13	5.5		7		60			
	10	20	25	30	10	6	20	15	12.5							72			
	12			31												71			
	16			38												79			
	20	25	40	43		8	26	18	20	M6	24	6.5		8		209			
	25			50												222			
30	30	50	53	12	10	30	20	25		30	9				369				

Slit Type



RoHS10

Type	M Material	S Surface Treatment	A Accessory
SHKSB	S45C Equivalent	Black Oxide	Hex Socket Head Cap Screw 2 pcs.
SHKSM	S45C Equivalent	Electroless Nickel Plating	Hex Socket Head Cap Screw 2 pcs. (SUS)
SHKSS	SUS304 Equivalent	-	-



Part Number Type	D	H	L	H1	T	S	W	W1	A	L1	d	E	Tightening Screw M	d2	d1	l	C	B1	B2	B3	Mass g	Unit Price			
																						SHKSB	SHKSM	SHKSS	
SHKSB SHKSM SHKSS	8	15		31									M4	4.5	8	4.5					72				
	10	20	25	36	12	6	22	17	12.5	15	5.5										82				
	12			38																		83			
	16			45						15												114			
	20	25	40	51	16	8	32	24	20	24	6.5		M6	6.5	11	6.5		2	14	8	2	236			
	25			58																		249			
30	30	50	63	20	10	40	30	25	30	9		M8	9	14	9	3					417				

Ordering Example Part Number SHKSBT8

Shaft Supports - L-Shaped (Cast)

Side Slit / Split

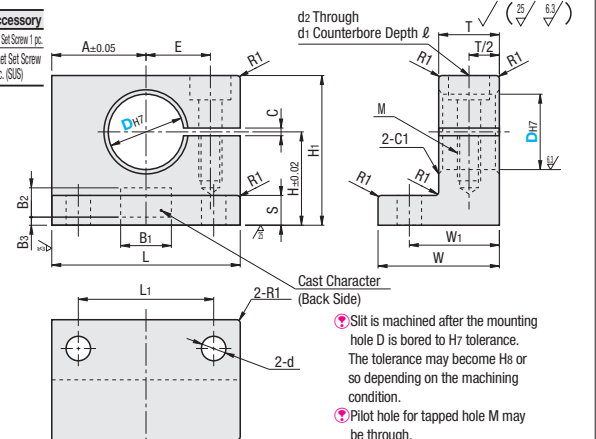
■ Features : Cast manufacturing enabled more economical prices than the other machined products of the same type.

Side Slit



RoHS10

Type	M Material	S Surface Treatment	A Accessory
SHKWBT	S45C Equivalent	Black Oxide	Hex Socket Set Screw 1 pc.
SHKWM	S45C Equivalent	Electroless Nickel Plating	Hex Socket Set Screw 1 pc. (SUS)
SHKWST	SUS304 Equivalent	-	-



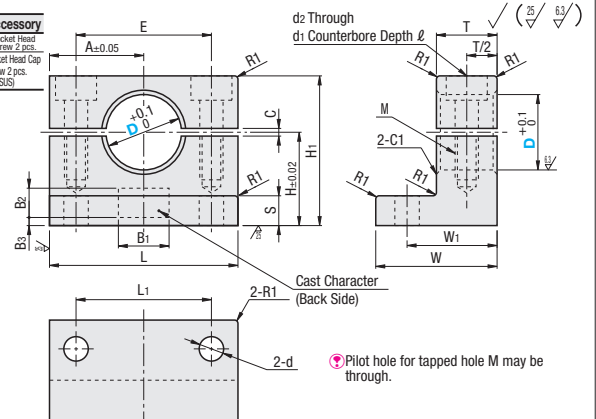
Part Number Type	D	H	L	H1	T	S	W	W1	A	L1	d	E	Tightening Screw M	d2	d1	l	C	B1	B2	B3	Mass g	Unit Price			
																						SHKWBT	SHKWM	SHKWST	
SHKWBT SHKWM SHKWST	8	15	30	23						15			M4	4.5	8	4.5					70				
	10	20	32	29	12	6	22	17	16	20	5.5	10									90				
	12			30																		90			
	16			38	37					19	26		13									127			
	20	25	50	40	16	8	32	24	25	36	6.5	18	M6	6.5	11	6.5		2	14	8	2	243			
	25			48																		271			
30	30	70	51	20	10	40	30	35	48	9	24	M8	9	14	9	3					503				

Split Type



RoHS10

Type	M Material	S Surface Treatment	A Accessory
SHKPBT	S45C Equivalent	Black Oxide	Hex Socket Head Cap Screw 2 pcs.
SHKPM	S45C Equivalent	Electroless Nickel Plating	Hex Socket Head Cap Screw 2 pcs. (SUS)
SHKPST	SUS304 Equivalent	-	-



Part Number Type	D	H	L	H1	T	S	W	W1	A	L1	d	E	Tightening Screw M	d2	d1	l	C	B1	B2	B3	Mass g	Unit Price			
																						SHKPBT	SHKPM	SHKPST	
SHKPBT SHKPM SHKPST	8	15	30	23						15			M4	4.5	8	4.5					65				
	10	20	32	29	12	6	22	17	16	20	5.5	20									85				
	12			30																		85			
	16			38	37					19	26		26									121			
	20	25	50	40	16	8	32	24	25	36	6.5	36	M6	6.5	11	6.5		2	14	8	2	230			
	25			48																		257			
30	30	70	51	20	10	40	30	35	48	9	48	M8	9	14	9	3					483				

Ordering Example Part Number SHKWBT12