


Shaft Collar Set Screw

2-Hole / 4-Hole / 2-Tapped (Coarse) / 4-Tapped (Coarse)


Shaft Collar Clamp

2 Counterbored Holes / 3 Counterbored Holes

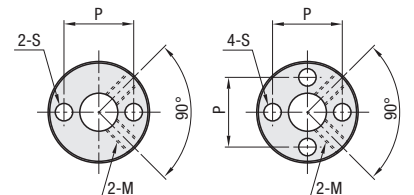
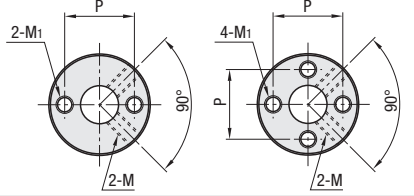
2-Hole Type
4-Hole Type



2-Tapped Type
4-Tapped Type




Type		Material	Surface Treatment	Accessory
2-Hole	4-Hole			Set Screw 2 pcs.
SCTN	SCMN	S45C	Black Oxide Coating	SCM435 Equivalent
PSCTN	PSCMN	Equivalent	Electroless Nickel Plating	SUS304 Equivalent
SSCTN	SSCMN	SUS304	-	Equivalent

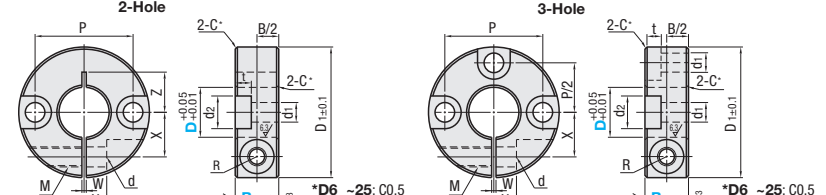
25 / (6.3 /)

*D3 ~D25: C0.5
D30~D50: C1

2 Counterbored Holes
3 Counterbored Holes



Type		Material	Surface Treatment	Accessory
2-Hole	3-Hole			Hex Socket Head Cap Screw 1 pc.
SCSG	SCSGT	S45C	Black Oxide Coating	SCM435 Equivalent
PSCSG	PSCSGT	Equivalent	Electroless Nickel Plating	SUS304 Equivalent
SSCSG	SSCSGT	SUS304	-	Equivalent



25 / (6.3 /)

*D6 ~25: C0.5
D30~50: C1

Part Number Type	D	B	D1	S	P	Set Screw MxLength	M1 (Coarse)
(2-Hole) SCTN, PSCTN, SSCTN	3	6	18	3.4	11	M3x3	M3
	4						
	5						
	6						
(4-Hole) SCMN, PSCMN, SSCMN	8	10	24	4.5	16	M4x4	M4
	10						
	12						
	13						
(2-Tapped) SCTW, PSCTW, SSCTW	15	12	33	5.5	23	M5x5	M5
	16						
	18, 20						
	25						
(4-Tapped) SCMW, PSCMW, SSCMW	30	15	49	6.6	37	M6x6	M6
	35						
	40						
	50						
* marked sizes are not available with Tapped Holes.	*40	20	72	9	56	M10x10	-
	*50	25	86	11	68		-

D	Unit Price											
	2-Hole Type			4-Hole Type			2-Tapped Type			4-Tapped Type		
	SCTN	PSCTN	SSCTN	SCMN	PSCMN	SSCMN	SCTW	PSCTW	SSCTW	SCMW	PSCMW	SSCMW
3												
4												
5												
6												
8												
10												
12												
13												
15												
16												
18												
20												
25												
30												
35												
40												
50												

* marked sizes are not available with Tapped Holes.

Ordering Example: Part Number SCTN12

Part Number Type	D	B Selection	D1	M (Coarse)	d	R	W	X	Y	Z	P	d1	d2	t	
(2-Hole) PSCSG, PSCSGT, SSCSG	6	8	24	M3	3.4	3	1	8	4	6-8	15	3.5	6.5	3.3	
		*10	M4	4.5	3.75	7-9				17					
		*8	M3	3.4	3	8-9				18	4.5	8	4.4		
	10	*10	28	M4	4.5	3.75		9	5	10-11	22	5.5	9.5	5.4	
		12	33	M5	5.5	4.5		11		11-12	23	6.6	11	6.5	
		15	36	M6	6.6	6		13		6	11-12	23	6.6	11	6.5
	12	*10	35	M4	4.5	3.75		11	5	10-12	24	5.5	9.5	5.4	
		*12	38	M5	5.5	4.5		13		6	11-13	25	6.6	11	6.5
		15	38	M6	6.6	6		11		5	10-11	23	4.5	8	4.4
	13	*10	33	M4	4.5	3.75		11	5	5	11-13	25	5.5	9.5	5.4
		12	36	M5	5.5	4.5		27				5.5	9.5	5.4	
		15	38	M5	5.5	4.5		28				6.6	11	6.5	
15	*12	40	M6	6.6	6	12	6	11-12	26	4.5	8	4.4			
	15	40	M6	6.6	6	12		6	12-13	28	5.5	9.5	5.4		
	*10	36	M5	5.5	4.5	13		8	13-14	29	6.6	11	6.5		
16	*12	38	M5	5.5	4.5	13	7	8	14-15	32	5.5	9.5	5.4		
	15	42	M6	6.6	6	15				8	14-15	33	6.6	11	6.5
	*15	45	M6	6.6	6	16				7	14-16	37	5.5	9.5	5.4
20	*12	48	M5	5.5	4.5	17	7	10	15-17	38	6.6	11	6.5		
	15	50	M6	6.6	6	18				10	20	43	6.6	11	6.5
	*15	55	M6	6.6	6	20				12	21	48			
25	*18	60	M8	9	7	23	2	13	26	60	9	14	8.6		
	30	78	M8	9	7	28				13	26	60	9	14	8.6
	40	88	M10	11	9	32				16	29	71	11	17.5	10.8
50	22	88	M10	11	9	3									

Due to no slitting on the side of the screw, 3-Hole type has less gripping power. 2-Hole Type is recommended where more shaft gripping power is required.

D	B Selection	Unit Price					
		2-Hole			3-Hole		
		SCSG	PSCSG	SSCSG	SCSGT	PSCSGT	SSCSGT
6	8						
6	*10						
6	*8						
8	*10						
10	12						
10	15						
12	*10						
12	*12						
12	15						
13	*10						
13	12						
13	15						
15	*12						
15	15						
16	*10						
16	*12						
16	15						
20	*12						
20	*15						
20	20						
25	*12						
25	15						
30	*15						
35							
40	*18						
50	22						

Only * marked sizes are available for 3-Hole Type.

Ordering Example: Part Number - B SCST10 - 10

