

Flanged Linear Bushings

Single, Pilot

= For customers using industry standard products =
 The part enclosed in the red frame is as per industry standard specifications (Outer cylinder SUJ2 equivalent, Retainer resin).
 Consider these specifications while selecting the product.

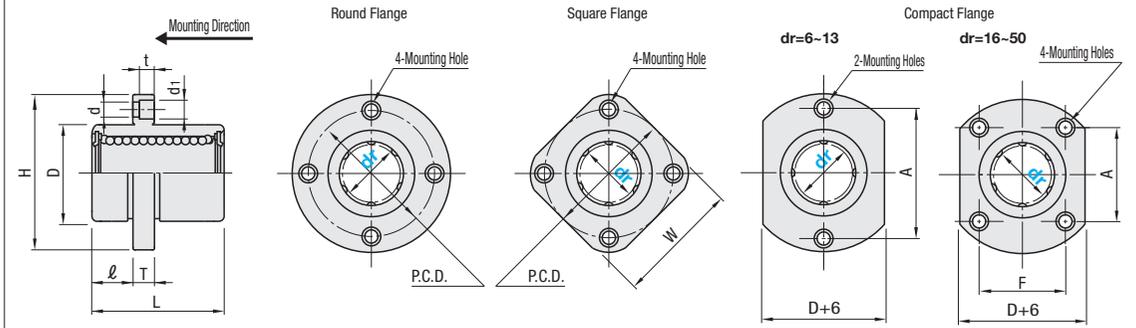
Features: Easy to assemble with bolt-on flanges. The linear bushing does not protrude out on the front side for good space utilization.

Industry Standard



RoHS10

Type			Outer Cylinder			Balls	Retainer	Ambient Operating Temp.	Accessory
Round Flange	Square Flange	Compact Flange	Material	Hardness	Surface Treatment	Material	Material		
LHIFR	LHIFS	LHIFC	SUJ2 Equivalent	58HRC~	-	SUJ2 Equivalent	Plastic (Duracon M90 Equivalent)	-20~ 80°C	Seal Material Nitrile Rubber (-20~120°C)
LHIFRF	LHIFSF	LHIFCF					Stainless Steel (SUS)	-20~110°C	
LHIFRM	LHIFSM	LHIFCM	Plastic (Duracon M90 Equivalent)	-20~ 80°C					
LHIFRMF	LHIFSMF	LHIFCMF	Stainless Steel (SUS)	-20~110°C					
SLHIFR	SLHIFS	SLHIFC	SUS440C Equivalent	56HRC~	-	SUS440C Equivalent	Plastic (Duracon M90 Equivalent)	-20~ 80°C	
SLHIFRF	SLHIFSF	SLHIFCS					Stainless Steel (SUS)	-20~120°C	



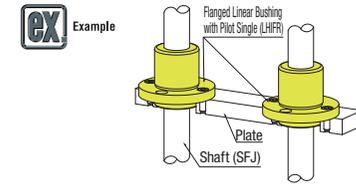
dr	Tolerance	D Tolerance		L	Tolerance	l	H	T	d	d1	t	P.C.D.	W	F	A	Eccentricity	Rows of Balls	Perpendicularity	Basic Load Rating			Mass (g)		
		No Surface Treatment	Surface Treatment																C (Dynamic)	N (Co)	Static	Round Flange	Square Flange	Compact Flange
6		12	0	19		5	28	5	3.5	6	3.1	20	22	-	20		4	0.012	206	265	24	18	21	
8		15	-0.013	24		5	32	5	3.5	6	3.1	24	25	-	24		4	0.012	265	380	37	29	33	
10	0	19	-0.016	29		6	40	6	4.5	7.5	4.1	29	30	-	29		4	0.012	372	549	72	52	64	
12	-0.009	21	0	30		6	42	6	4.5	7.5	4.1	32	32	-	32		4	0.012	412	598	76	57	68	
13		23	-0.016	32		6	43	6	4.5	7.5	4.1	33	34	-	33		4	0.012	510	784	88	72	81	
16		28		37	±0.3	6	48	6	4.5	7.5	4.1	38	37	22	31		4	0.012	775	1180	120	104	112	
20		32	0	42		8	54	8	5.5	9	5.1	43	42	24	36		5	0.015	882	1370	180	145	167	
25		40	-0.019	59		8	62	8	5.5	9	5.1	51	50	32	40		5	0.015	980	1570	340	300	325	
30	-0.010	45	-0.025	64		10	74	10	6.6	11	6.1	60	58	35	49		6	0.020	1570	2740	470	375	388	
35		52	0	70		10	82	10	6.6	11	6.1	67	64	38	55		6	0.020	1670	3140	650	560	575	
40	0	60	-0.022	80		13	96	13	9	14	8.1	78	75	45	64		6	0.020	2160	4020	1060	880	913	
50	-0.012	80	-0.030	100		13	116	13	9	14	8.1	98	92	56	80		6	0.020	3820	7940	2200	2000	2037	

For Precautions for Use, see P.303. * Perpendicularity of D to flange mounting surface kgf=Nx0.101972
 Select Height-adjusting Spacers for Flanged Bushings from P.330.

dr	Unit Price																	
	Round Flange					Square Flange					Compact Flange							
	LHIFR	LHIFRF	LHIFRM	LHIFRMF	SLHIFR	SLHIFS	LHIFS	LHIFSF	LHIFSM	LHIFSMF	SLHIFS	SLHIFCS	LHIFC	LHIFCF	LHIFCM	LHIFCMF	SLHIFC	SLHIFCS
6																		
8																		
10																		
12																		
13																		
16																		
20																		
25																		
30																		
35																		
40																		
50																		

Ordering Example
 Part Number
 LHIFR20
 LHIFR20L (L Type Greased)
 LHIFR20G (G Type Greased)
 LHIFR20H (H Type Greased)

Alternative grease types available.
 For Days to Ship, Price and Performance, see P.304.



Flanged Linear Bushings

Double, Pilot

= For customers using industry standard products =
 The part enclosed in the red frame is as per industry standard specifications (Outer cylinder SUJ2 equivalent, Retainer resin).
 Consider these specifications while selecting the product.

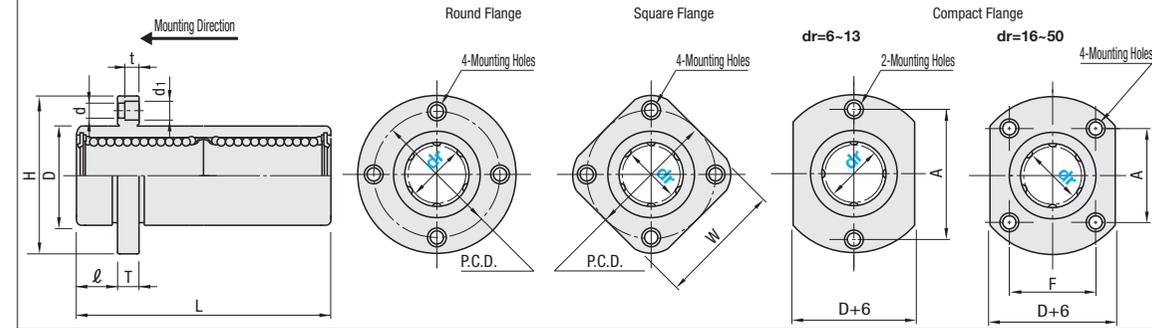
Features: Easy to assemble with bolt-on flanges. The linear bushing does not protrude out on the front side for good space utilization.

Industry Standard



RoHS10

Type			Outer Cylinder			Balls	Retainer	Ambient Operating Temp.	Accessory
Round Flange	Square Flange	Compact Flange	Material	Hardness	Surface Treatment	Material	Material		
LHIRW	LHISW	LHICW	SUJ2 Equivalent	58HRC~	-	SUJ2 Equivalent	Plastic (Duracon M90 Equivalent)	-20~ 80°C	Seal Material Nitrile Rubber (-20~120°C)
LHIRWF	LHISWF	LHICWF					Stainless Steel (SUS)	-20~110°C	
LHIRWM	LHISWM	LHICWM	Plastic (Duracon M90 Equivalent)	-20~ 80°C					
LHIRWMF	LHISWMF	LHICWMF	Stainless Steel (SUS)	-20~110°C					
SLHIRW	SLHISW	SLHICW	SUS440C Equivalent	56HRC~	-	SUS440C Equivalent	Plastic (Duracon M90 Equivalent)	-20~ 80°C	
SLHIRWS	SLHISWS	SLHICWS					Stainless Steel (SUS)	-20~120°C	



dr	Tolerance	D Tolerance		L	Tolerance	l	H	T	d	d1	t	P.C.D.	W	F	A	Eccentricity	Rows of Balls	Perpendicularity	Basic Load Rating			Mass (g)		
		No Surface Treatment	Surface Treatment																C (Dynamic)	N (Co)	Static	Round Flange	Square Flange	Compact Flange
6		12	0	35		5	28	5	3.5	6	3.1	20	22	-	20		4	0.015	324	529	2.18	31	25	28
8		15	-0.013	45		5	32	5	3.5	6	3.1	24	25	-	24		4	0.015	431	784	4.31	51	43	47
10	0	19	-0.016	55		6	40	6	4.5	7.5	4.1	29	30	-	29		4	0.015	588	1100	7.24	98	78	90
12	-0.010	21	0	57		6	42	6	4.5	7.5	4.1	32	32	-	32		4	0.015	657	1200	10.9	110	90	102
13		23	-0.016	61		6	43	6	4.5	7.5	4.1	33	34	-	33		4	0.015	813	1570	11.6	130	108	123
16		28		70	±0.3	6	48	6	4.5	7.5	4.1	38	37	22	31		4	0.015	1230	2350	19.7	190	165	182
20		32	0	80		8	54	8	5.5	9	5.1	43	42	24	36		5	0.020	1400	2740	26.8	260	225	247
25		40	-0.019	112		8	62	8	5.5	9	5.1	51	50	32	40		5	0.020	1560	3140	43.4	540	500	525
30	-0.010	45	-0.025	123		10	74	10	6.6	11	6.1	60	58	35	49		6	0.025	2490	5490	82.8	680	590	645
35		52	0	135		10	82	10	6.6	11	6.1	67	64	38	55		6	0.025	2650	6270	110	1020	930	945
40	0	60	-0.022	151		13	96	13	9	14	8.1	78	75	45	64		6	0.025	3430	8040	147	1570	1380	1423
50	-0.015	80	-0.030	192		13	116	13	9	14	8.1	98	92	56	80		6	0.025	6080	15900	397	3600	3400	3437

For Precautions for Use, see P.303. * Perpendicularity of D to flange mounting surface kgf=Nx0.101972
 Select Height-adjusting Spacers for Flanged Bushings from P.330.

dr	Unit Price																	
	Round Flange					Square Flange					Compact Flange							
	LHIRW	LHIRWF	LHIRWM	LHIRWMF	SLHIRW	SLHIRWS	LHISW	LHISWF	LHISWM	LHISWMF	SLHISW	SLHISWS	LHICW	LHICWF	LHICWM	LHICWMF	SLHICW	SLHICWS
6																		
8																		
10																		
12																		
13																		
16																		
20																		
25																		
30																		
35																		
40																		
50																		

Ordering Example
 Part Number
 LHIRW8
 LHIRW8L (L Type Greased)
 LHIRW8G (G Type Greased)
 LHIRW8H (H Type Greased)

Alternative grease types available.
 For Days to Ship, Price and Performance, see P.304.

