




Single Axis Robot Options / Maintenance Products

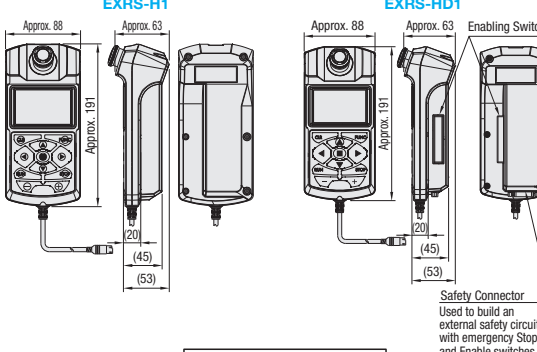
Options

Handset Terminal



Part Number	EXRS-H1	EXRS-HD1
Emergency Stop Button	Normally Closed Input (with Lock)	
Deadman's Switch	None	Included 3 Position Enable Switch
Operating Temp.	0°C~40°C	
Operating Humidity	35% ~ 85%RH (No Condensation)	
Body Mass	Approx. 450g	
Cable Length	3.5m	
Applicable Controller	EXRS-C1/C21/C22	

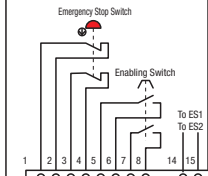
Part Number	Unit Price	Volume Discount Rate
EXRS-H1	1 pc.	2 ~ 3 pcs. 4 ~ 5 pcs.
EXRS-HD1		




EXRS-H1 Dimensions: Approx. 88, Approx. 63, Approx. 191, (45), (53)

EXRS-HD1 Dimensions: Approx. 88, Approx. 63, Approx. 191, (45), (53)

Safety Connector
Used to build an external safety circuit with emergency Stop and Enable switches.



Daisy-chain Cable



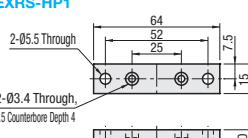
Part Number	EXRS-CD1
Cable Length	300mm
Applicable Controller	EXRS-C1/P1/C21/C22

Part Number	Unit Price	Volume Discount Rate
EXRS-CD1	1 pc.	2 ~ 3 pcs. 4 ~ 5 pcs.

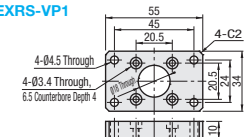
*A cable to connect multiple controllers. It can connect maximum 16 controllers.

Dedicated Feet and Flanges for Rod Type

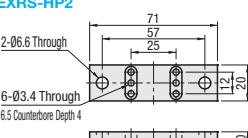
EXRS-HP1



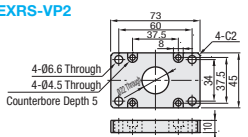
EXRS-VP1



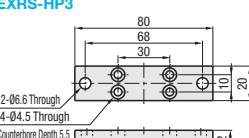
EXRS-HP2



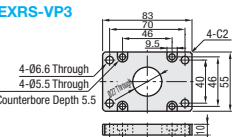
EXRS-VP2



EXRS-HP3



EXRS-VP3



I/O Cable

EXRS-CB1



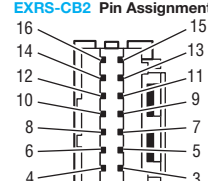
EXRS-CB2



Part Number	EXRS-CB1	EXRS-CB2
Cable Length	2m	2m
Applicable Controller	EXRS-C1/C21/C22	EXRS-P1

Part Number	Unit Price	Volume Discount Rate
EXRS-CB1	1 pc.	2 ~ 3 pcs. 4 ~ 5 pcs.
EXRS-CB2		


EXRS-CB2 Pin Assignment




Support Software (with USB Communication Cable and D-Sub Communication Cable)

Communication Specifications: RS232C (EXRS-ST1/ST2)

EXRS-ST1



EXRS-ST2




* USB driver is included in Support Software. (EXRS-ST1)

Part Number	Communication Cable Length	Applicable Controller	Unit Price	Volume Discount Rate
EXRS-ST1	5m	EXRS-C1/P1/C21/C22	1 pc.	2 ~ 3 pcs. 4 ~ 5 pcs.
EXRS-ST2				

* The cables are for communications between controller and PC.

Lubrication Nozzle



Part Number	EXRS-NZ1
Applications	For replenishing ball screw grease
Applicable Models	RSD1/RSDG1 (Motor mounted on top: U)

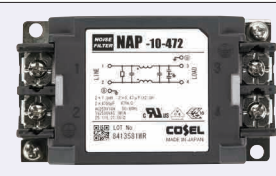
Part Number	Unit Price	Volume Discount Rate
EXRS-NZ1	1 pc.	2 ~ 3 pcs. 4 ~ 5 pcs.

*Recommended Product. This can be used with commercially available grease guns.

Noise Filter


Part Number	Rated Voltage	Rated Current	Unit Price	Volume Discount Rate
EXRS-NF1	AC250V/DC250V	10A	4,300	3,900 3,600

As this product uses push-down type terminal block, it is shipped in the state below.
 * Terminal cover is stored.
 * Terminal block screws are kept on the upper side.

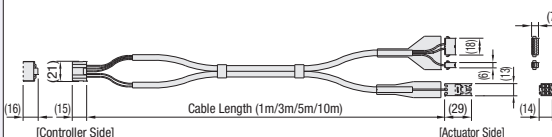


Power/Signal-Integrated Cables (Flex-Resistant)

(Controller EXRS-C1/P1)




Part Number	Cable Length (m)	Unit Price	Volume Discount Rate
EXRS-CT1	1		
	3		
	5		
	10		



Options can be purchased more economically as Alterations than as single items when purchasing the main products.

Instruction Manual




Part Number	Language	Type	Applicable Model	Unit Price	Volume Discount Rate
EXRS-MJ5	Japanese	Actuator (Standard)	RS1/2/3		
			RSD1/2/3		
			RSH1/2/3/4/5		
			RSF4		
EXRS-MJ6	Japanese	Actuator (Clean Spec.)	RS1C/2C/3C		
			RSH1C/2C/3C		
EXRS-KJ3	English	Controller	EXRS-C1/C21/C22		
EXRS-KJ4	English	Controller	EXRS-P1		
EXRS-ME5	English	Actuator (Standard)	RS1/2/3		
			RSD1/2/3		
			RSH1/2/3/4/5		
			RSF4		
EXRS-ME6	English	Actuator (Clean Spec.)	RS1C/2C/3C		
			RSH1C/2C/3C		
EXRS-KE3	English	Controller	EXRS-C1/C21/C22		
EXRS-KE4	English	Controller	EXRS-P1		


Operator's Manuals are also available for downloads on our website.
http://download.misumi.jp/mol/fa_soft.html

Power/Signal Cables

(Controller EXRS-C21/C22)




Power Cable



Signal Cable

Part Number	Type	Cable Length	Unit Price	Volume Discount Rate
EXRS-CM1	Power	3.5m: 3		
		5m: 5		
		10m: 10		
EXRS-CR1 (Standard)	Single	3.5m: 3		
		5m: 5		
		10m: 10		
EXRS-CR2 (Flexible)	Single	3.5m: 3		
		5m: 5		
		10m: 10		

Data Storage Battery



Battery for absolute data back-up. (Applicable Controllers: EXRS-C21/C22)
 *Included as standard to absolute model controllers. Replacement cycle is approx. one year.
 *This product is outside the scope of RoHS Directive.
 *Photograph is an image. Please note that the appearance may differ from the photograph.

Ordering Example

Part Number: EXRS-H1
 Cable Length: 5

For orders larger than indicated quantity, please request a quotation.

Options can be purchased more economically as Alterations than as single items when purchasing the main products.