

Miniature Linear Guides - Wide Rails

Standard Blocks with Dowel Holes, Light Preload

Similar Products Comparison Points | MISUMI original specifications with dowel holes. Requires less time for assembly and has better repeatability.

MISUMI Original

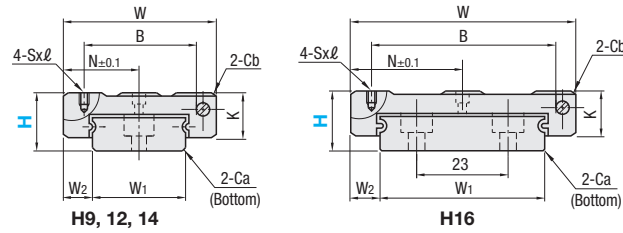
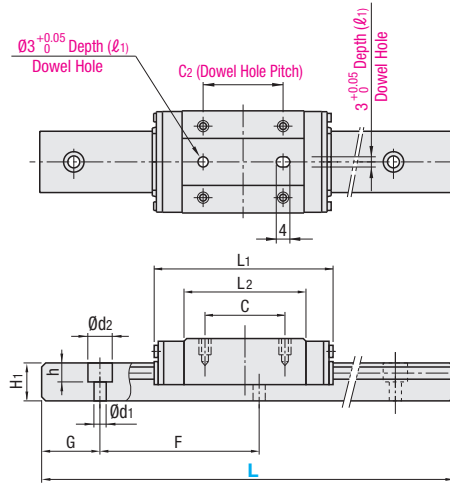


RoHS10

Blocks and rails are not sold as separate items. This Type has guaranteed radial clearances and accuracies as sets of blocks and rails.

Material Hardness	Type	L Dimension	Number of Blocks
	Light Preload High Grade		
Stainless Steel 56HRC~	SSEBWN	Selectable	1
	SSE2BWN		2
	SSEBWNL	Configurable	1
	SSE2BWNL		2

Heat Resistant Temperature: -20 ~ 80°C



For L Configurable, G dimensions differ from those shown in the table below. For details, see P. 531.

- Precautions for Use**
 - Blocks are equipped with retainers (wire) to prevent balls from falling off.
 - For how to handle the blocks, see P. 525.
 - Radial clearances and accuracies are not guaranteed if the blocks and rails are interchanged from the original set combinations.
 - Straight grooves are provided on datum planes. Be sure to match the datum lines when using.
 - Rails cannot be connected end to end.
 - The accuracy of Linear Guides is guaranteed after mounting the rail (after fastening screws on the rail and pushing it onto the datum plane). Minor bending of the rail will be adjusted after being mounted and will not affect the performance.
- Others**
 - Filled with Lithium soap based grease (Mullemp Grease PS2 by Kyodo Yushi Co., Ltd.).
 - For operating life calculation, see P. 527.
 - For operating life calculations, use our free calculation software from http://download.misumi.jp/mol/fa_soft.html.

Part Number	Type	H	L	Block Dimension							Dowel Hole Dimensions				Guide Rail Dimension						
				W	L ₁	B	C	Sxℓ	L ₂	K	Cb	N	C ₂ (ℓ ₁)	W ₁	W ₂	H ₁	Ca	Counterbored Hole d1xd2xh	F	G	
SSEBWN SSE2BWN SSEBWNL SSE2BWNL	9	50~290 (110)	25	31.1	18	12	M2.6x2.5	20.1	7	0.3	12.5	12	2.5	14	5.5	5.2	0.5	3.5x6x3.2	30	10	
	12	50~290 (110)	30	38	21	12	M2.6x3	27	9	0.3	15	12	2.5	18	6	7.5	0.5	3.5x6x4.5	30	10	
	14	70~470 (150)	40	44.3	28	15	M3x3.5	30.1	11	0.5	20	15	3.5	24	8	8	0.5	4.5x8x4.5	40	15	
	16	70~670 (190)	60	55	45	20	M4x4.5	40	13	0.5	30	20	4	42	9	9.5	0.5	4.5x8x4.5	40	15	

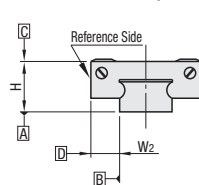
Dimensions in () are for 2-Block Type.

kgf=Nx0.101972

Unit: μm

H	Basic Load Rating			Allowable Static Moment			Mass	
	C (Dynamic) kN	Co (Static) kN	MA N·m	Me N·m	Mc N·m	Block kg	Guide Rail kg/m	
9	1.4	2.2	7.8	7.8	15.5	0.02	0.50	
12	2.3	3.7	13.7	16.3	30.4	0.04	0.96	
14	3.5	5.3	20.6	22.3	52.1	0.08	1.40	
16	5.8	8.5	40.2	43.6	148	0.15	2.95	

Preload and Accuracy Standards



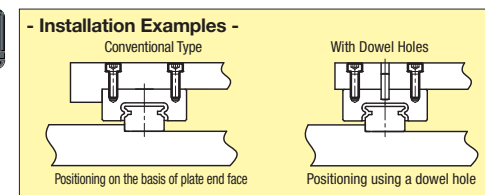
Specifications	Light Preload, High Grade
Radial Clearance	-3~0
Height H Tolerance	±20
Pair Variation of Height H	15
Width W ₂ Tolerance	±25
Pair Variation of Width W ₂	20
Running Parallelism of Plane C against Plane A	See P. 525
Running Parallelism of Plane D against Plane A	See P. 525

H	L	Unit Price	
		SSEBWN	SSE2BWN
9	50		
	80		
	110		
	140		
	170		
	200		
	230		
	260		
	290		
	12	50	
80			
110			
140			
170			
200			
230			
260			
290			
14		70	
	110		
	150		
	190		
	230		
	270		
	310		
	350		
	390		
	430		
16	470		
	70		
	110		
	150		
	190		
	230		
	270		
	310		
	350		
	390		
430			
470			
510			
550			
590			
630			
670			

L Dimension Configurable Type (1mm Increment)

H	Unit Price	
	SSEBWNL	SSE2BWNL
9		
12		
14		
16		

For calculation of L Dimension Configurable Type (1mm Increment), add the above amount to the unit price of the Selectable Type longer than, and closest to this L Dimension Configurable Type.



Ordering Example
Part Number - L
SSEBWN12 - 200 (L Type Greased)
SSEBWN12L - 200 (L Type Greased)
SSEBWN12G - 200 (G Type Greased)
Alternative grease types available.
P.531



Alterations Part Number - L - (MC, RLC, LLC, B3, B4)
SSE2BWNL16 - 450 - MC

Alterations	Code	Spec.
Tapped Hole	MC	Changes the rail mounting holes from counterbored holes to tapped holes. H MC 9 M4 12 M4 14 M5 16 M5
Rail End Cut	LLC (Left End Cut), RLC (Right End Cut)	Cuts rail ends. Ordering Code: LLC H L Cut N 9 5 12 5 14 10 16 10 Rail is cut with the product ID facing out (datum on other side). Applicable to Selectable Type only. Overall length will be shorter by cutting. Not applicable to L dimension 70 or less.
3-Block Specifications	B3	Add 2 blocks to 1-block product to ship as 3-block separate item. There are restrictions for the L dimension length. See "Selectable Shortest Rail Length" for details. Selection Example: SSEBWN9-200-B3
4-Block Specifications	B4	Add 3 blocks to 1-block product to ship as 4-block separate item. There are restrictions for the L dimension length. See "Selectable Shortest Rail Length" for details. Selection Example: SSEBWNL14-420-B4

Additional Block Price

H	B3: Price Adder	B4: Price Adder
9		
12		
14		
16		

Selectable Shortest Rail Length for B3/B4

H	B3 (3-block)	B4 (4-block)
9	140	170
12	140	200
14	190	230
16	230	270

Options for Linear Guide

Position Retaining Parts	Block / Rail Fixing Parts
<ul style="list-style-type: none"> Rail Push Plates Linear Lock 	<ul style="list-style-type: none"> Block Derailment Prevention Parts Stopper Bolts Linear Guide Lock Units