

# Simplified Slide Rails

## Aluminum, With Ball Bearing

Load Rating: 79N/pc

# Simplified Slide Rails

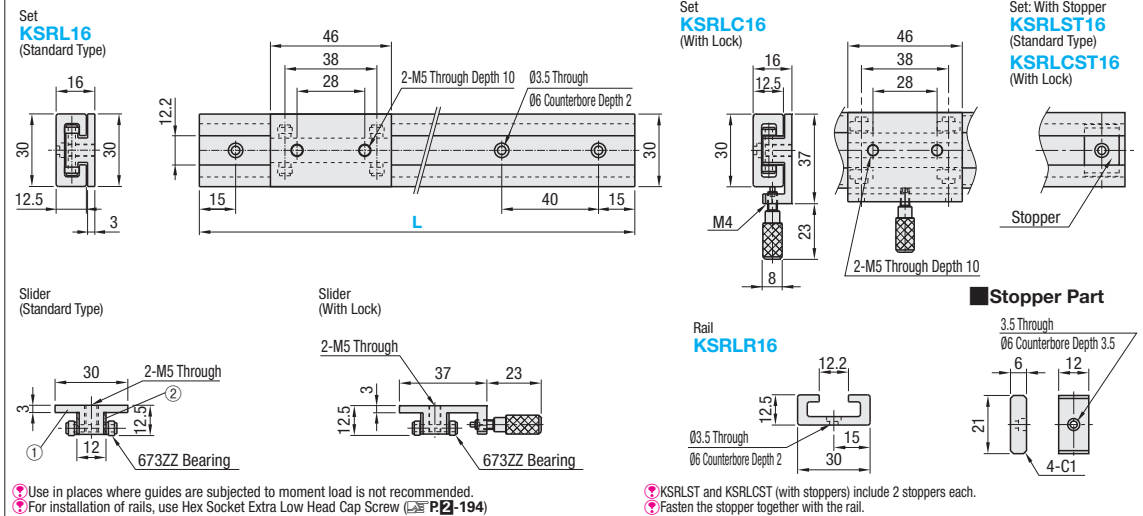
## Stainless Steel, With Ball Bearing, With Lock

Load Rating: 380N, 460N/pc

■ Features: Lightweight since made of aluminum.

	Type		Rail	Part Name	Material	Surface Treatment
	Set (Slider 1 pc. + Rail 1 pc.) Standard Type	With Lock				
No Stopper	KSRL	KSRLC	KSRLR	Slider	① Aluminum Alloy ② Polyacetal	Hard Clear Anodize
				Rail	Aluminum Alloy	Hard Clear Anodize
With Stopper	KSRLST	KSRLCST	-	Stopper	MC Nylon	-
				Lock	Thread: SUS304 Tip: Polyacetal	-

⚠ To prevent the slider fall-off, select with-stopper type.



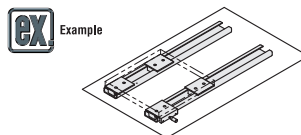
⚠ Use in places where guides are subjected to moment load is not recommended.  
⚡ For installation of rails, use Hex Socket Extra Low Head Cap Screw (PZ-194)

⚠ KSRLST and KSRLCST (with stoppers) include 2 stoppers each.  
⚡ Fasten the stopper together with the rail.

Part Number	Type	No.	L	Mounting Hole Qty.	Effective Stroke Slider 1 pc.	Load Rating N (kgf)	Unit Price					Addable Slider Qty.
							KSRL	KSRLST	KSRLC	KSRLCST	KSRLR	
70	Standard Type	2	18	-	-	79(8)	-	-	-	-	-	-
110	Standard Type	3	58	-	-	79(8)	-	-	-	-	1	-
150	Standard Type	4	98	-	-	79(8)	-	-	-	-	1~2	-
190	Standard Type	5	138	-	-	79(8)	-	-	-	-	1~2	-
230	Standard Type	6	178	-	-	79(8)	-	-	-	-	1~3	-
270	Standard Type	7	218	-	-	79(8)	-	-	-	-	1~3	-
310	Standard Type	8	258	-	-	79(8)	-	-	-	-	1~5	1~4
350	Standard Type	9	298	-	-	79(8)	-	-	-	-	1~6	1~5
390	Standard Type	10	338	-	-	79(8)	-	-	-	-	1~7	1~6
430	Standard Type	11	378	-	-	79(8)	-	-	-	-	1~8	1~7
470	Standard Type	12	418	-	-	79(8)	-	-	-	-	1~9	1~8
510	Standard Type	13	458	-	-	79(8)	-	-	-	-	1~9	1~8
550	With Lock Type	14	498	-	-	79(8)	-	-	-	-	1~9	1~8
590	With Lock Type	15	538	-	-	79(8)	-	-	-	-	1~10	1~10
630	With Stopper	16	578	-	-	79(8)	-	-	-	-	1~10	1~10
670	With Stopper	17	618	-	-	79(8)	-	-	-	-	1~10	1~10
710	With Stopper	18	658	-	-	79(8)	-	-	-	-	1~10	1~10
750	Rail only	19	698	-	-	79(8)	-	-	-	-	1~10	1~10
790	Rail only	20	738	-	-	79(8)	-	-	-	-	1~10	1~10
830	Rail only	21	778	-	-	79(8)	-	-	-	-	1~10	1~10
870	Rail only	22	818	-	-	79(8)	-	-	-	-	1~10	1~10
910	Rail only	23	858	-	-	79(8)	-	-	-	-	1~10	1~10
950	Rail only	24	898	-	-	79(8)	-	-	-	-	1~10	1~10
990	Rail only	25	938	-	-	79(8)	-	-	-	-	1~10	1~10
1030	Rail only	26	978	-	-	79(8)	-	-	-	-	1~10	1~10

⚠ \*1 Effective stroke (No Stopper) is the dimension value with a margin of approx. 3mm set from each end to avoid dropout of sliders.  
⚠ \*2 Effective stroke (With Stopper) is the dimension value with a margin of approx. 3mm set from contacts of sliders and stoppers to avoid conflict between them.

Ordering Example	Part Number	-	L
	KSRL16	-	310 (Set)
	KSRLC16	-	910 (Set With Lock)
	KSRLST16	-	390 (Set With Stopper)
	KSRLR16	-	630 (Rail only)



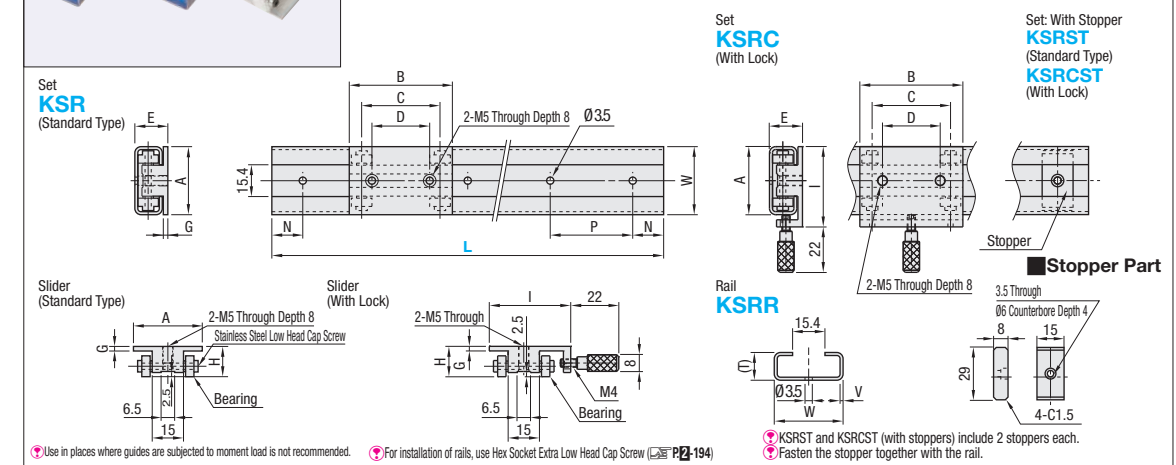
Alterations Part Number - L - (S, C)  
KSRL16 - 550 - S1

Alterations	Code	Spec.											
Standard Slider	S	Sliders are added. Please specify additional slider quantity after S and C. Please refer to the price list for maximum quantity of addable sliders. ■ Selection Example <table border="1"> <thead> <tr> <th>Additional Slider Qty.</th> <th>Ordering Code</th> <th>Slider Total Qty.</th> </tr> </thead> <tbody> <tr> <td>5</td> <td>0</td> <td>KSRL16-550-S5</td> <td>6</td> </tr> <tr> <td>1</td> <td>2</td> <td>KSRL16-550-S1-C2</td> <td>4</td> </tr> </tbody> </table>	Additional Slider Qty.	Ordering Code	Slider Total Qty.	5	0	KSRL16-550-S5	6	1	2	KSRL16-550-S1-C2	4
Additional Slider Qty.	Ordering Code	Slider Total Qty.											
5	0	KSRL16-550-S5	6										
1	2	KSRL16-550-S1-C2	4										
With Lock Slider	C	Added sliders are the same size as that of the original part number model. ⚠ When ordering 50 or more identical sliders at a time, please request a quotation. ⚠ Not applicable when ordering rails only.											

■ Features: Corrosion resistant since made of stainless steel.

	Type		Rail	Part Name	Material
	Set (Slider 1 pc. + Rail 1 pc.) Standard Type	With Lock			
No Stopper	KSR	KSRC	KSRR	Slider	SUS304
				Rail	SUS304
With Stopper	KSRST	KSRCST	-	Stopper	MC Nylon
				Clamp Screw	SUS304

⚠ To prevent the slider fall-off, select with-stopper type.



⚠ Use in places where guides are subjected to moment load is not recommended. ⚡ For installation of rails, use Hex Socket Extra Low Head Cap Screw (PZ-194)

⚠ KSRST and KSRCST (with stoppers) include 2 stoppers each.  
⚡ Fasten the stopper together with the rail.

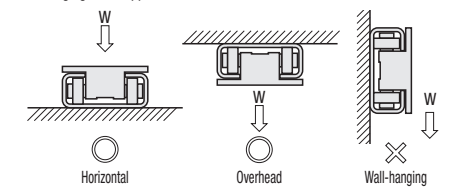
No.	Slider										Rail				
	A	B	C	D	E	G	H	I	W	P	N	(T)	V	Bearing	
13	32	40	30	20	13	1.8	11.8	38	32	50	10	10.7	1.2	SUS693ZZ Bearing	
16	33	50	38	28	16	2.2	14.55	39	33	40	15	13.3	1.5	SUS623ZZ Bearing	

Part Number	Type	No.	L	Mounting Hole Qty.	Effective Stroke Slider 1 pc.	Load Rating N (kgf)	Unit Price					Addable Slider Qty.	
							KSRL	KSRLST	KSRLC	KSRLCST	KSRLR	No Stopper	With Stopper
70	Standard Type	2	18	-	-	380(39)	-	-	-	-	-	-	-
110		3	58	-	-	380(39)	-	-	-	-	1	-	-
150		4	98	-	-	380(39)	-	-	-	-	1~3	1~2	-
190		5	138	-	-	380(39)	-	-	-	-	1~4	1~3	-
230		6	178	-	-	380(39)	-	-	-	-	1~5	1~4	-
270		7	218	-	-	380(39)	-	-	-	-	1~6	1~5	-
310		8	258	-	-	380(39)	-	-	-	-	1~8	1~7	-
350		9	298	-	-	380(39)	-	-	-	-	1~9	1~8	-
390		10	338	-	-	380(39)	-	-	-	-	1~9	1~8	-
430		11	378	-	-	380(39)	-	-	-	-	1~10	1~10	-
470		12	418	-	-	380(39)	-	-	-	-	1~10	1~10	-
510		13	458	-	-	380(39)	-	-	-	-	1~10	1~10	-
550		With Stopper	14	498	-	-	460(47)	-	-	-	-	-	-
590	15		538	-	-	460(47)	-	-	-	-	1	-	-
630	16		578	-	-	460(47)	-	-	-	-	1~2	1~2	-
670	17		618	-	-	460(47)	-	-	-	-	1~3	1~3	-
710	18		658	-	-	460(47)	-	-	-	-	1~4	1~4	-
750	19		698	-	-	460(47)	-	-	-	-	1~5	1~5	-
790	20		738	-	-	460(47)	-	-	-	-	1~6	1~6	-
830	21		778	-	-	460(47)	-	-	-	-	1~7	1~7	-
870	22		818	-	-	460(47)	-	-	-	-	1~8	1~8	-
910	23		858	-	-	460(47)	-	-	-	-	1~9	1~9	-
950	24		898	-	-	460(47)	-	-	-	-	1~9	1~9	-
990	25		938	-	-	460(47)	-	-	-	-	1~10	1~10	-
1030	26		978	-	-	460(47)	-	-	-	-	1~10	1~10	-

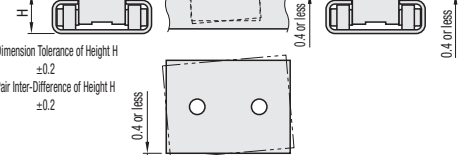
⚠ \*1 Effective stroke (No Stopper) is the dimension value with a margin of approx. 3mm set from each end to avoid dropout of sliders.  
⚠ \*2 Effective stroke (With Stopper) is the dimension value with a margin of approx. 3mm set from contacts of sliders and stoppers to avoid conflict between them.

Ordering Example	Part Number	-	L
	KSR13	-	520 (Set)
	KSRST16	-	510 (Set With Stopper)
	KSRR16	-	630 (Rail only)

■ Load Direction  
Please install the rail in horizontal or overhead position as shown below.  
Wall-hanging is not applicable.



■ Precision Standards  
Dimension Tolerance of Height H ±0.2  
Pair Inter-Difference of Height H ±0.2



<With Lock>  
Simply push rail side surfaces with clamp screws to hold a slider position manually.

Retaining Force (Reference Value)	Part Number	-	L
13	3.9kg	-	550
16	5.2kg	-	510

⚠ Retaining force is the value when Tightening Torque is 0.2N · m.  
⚠ When external force more than retaining force is applied, retaining position will change.  
⚠ When installing simplified slide rails on vertical position or slanted position, provide external devices to avoid sliders falling off.

Alterations	Code	Spec.											
Standard Slider	S	Sliders are added. Please specify additional slider quantity after S and C. Please refer to the price list for maximum quantity of addable sliders. ■ Selection Example <table border="1"> <thead> <tr> <th>Additional Slider Qty.</th> <th>Ordering Code</th> <th>Slider Total Qty.</th> </tr> </thead> <tbody> <tr> <td>5</td> <td>0</td> <td>KSR16-550-S5</td> <td>6</td> </tr> <tr> <td>1</td> <td>2</td> <td>KSR16-550-S1-C2</td> <td>4</td> </tr> </tbody> </table>	Additional Slider Qty.	Ordering Code	Slider Total Qty.	5	0	KSR16-550-S5	6	1	2	KSR16-550-S1-C2	4
Additional Slider Qty.	Ordering Code	Slider Total Qty.											
5	0	KSR16-550-S5	6										
1	2	KSR16-550-S1-C2	4										
With Lock Slider	C	Added sliders are the same size as that of the original part number model. ⚠ When ordering 50 or more identical sliders at a time, please request a quotation. ⚠ Not applicable when ordering rails only.											