


L-Gibs - Configurable Type

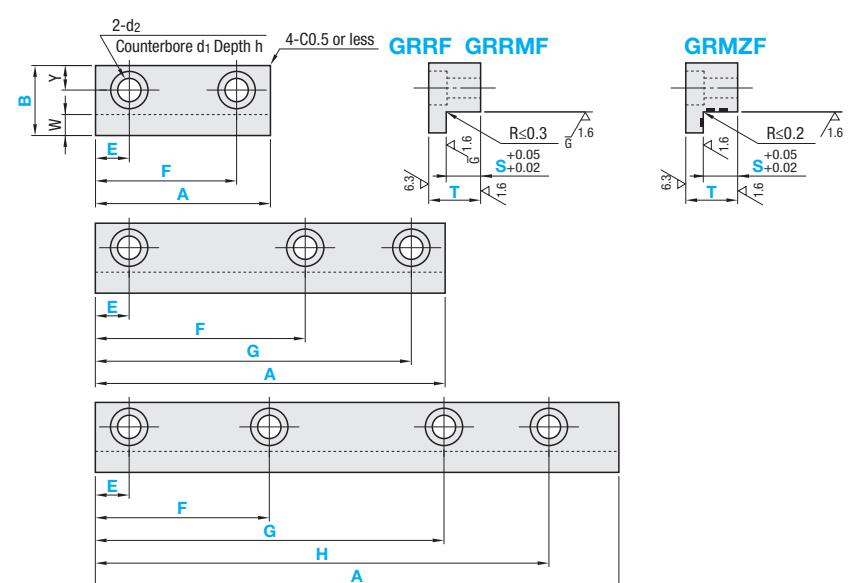
Steel / Lubrication-Free Copper Alloy / Length & Screw Hole Pitch Configurable

■ Features: Block slides steadily by stepped part of L-Gibs.

■ Steel



Type	Material	Surface Treatment	Hardness
GRRF	S45C	-	-
GRRMF		Hardened Electroless Nickel Plating (Plating after Grinding)	HV500~
GRMZ	High-strength Brass Alloy Solid Lubricant Embedded	-	-



⚠ Hardened electroless nickel plated products may look slightly different in color from the image but the quality is the same.

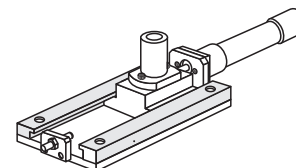
Part Number Type	B	T	S	A	0.5mm Increment (Hole Position)				W	Y	d1	d2	h		
					E	F	G	H							
GRRF GRRMF GRMZ	15	10	15	5 8	40-99(95)	6.0-80.0	17.0-94.0(89.0)	-	-	5	5	8	4.5	4.5	
					100-120	6.0-100.0	26.0-114.0	-	-	-	-	-	-	-	-
					60-99(95)	8.0-80.0	18.0-91.0(87.0)	-	-	5	7	9.5	5.5	5.5	
	20	15	20	5 8 10	100-200	8.0-170.0	18.0-180.0	28.0-192.0	-	5	10	11	6.5	6.5	
					80-129(125)	10.0-110.0	22.0-119.0(115.0)	-	-	-	-	-	-	-	-
					130-179(175)	10.0-140.0	22.0-155.0	34.0-169.0(165.0)	-	-	-	-	-	-	-
	25	20	25	8 10 15	180-250	10.0-180.0	22.0-200.0	34.0-220.0	46.0-240.0	8	10	14	9	9	
					100-149(145)	12.0-120.0	24.0-137.0(133.0)	-	-	-	-	-	-	-	-
					150-199(195)	12.0-150.0	24.0-165.0	36.0-187.0(183.0)	-	-	-	-	-	-	-
	30	25	30	10 15	200-250(300)	12.0-180.0(230.0)	28.0-200.0(250.0)	44.0-220.0(270.0)	60.0-238.0(288.0)	8	10	14	9	9	
					-	-	-	-	-	-	-	-	-	-	-
					-	-	-	-	-	-	-	-	-	-	-

⚠ When B=15 or T=10, 5 is the only option for S. ⚠ GRMZ values are indicated in (). ⚠ A dimension of GRMZ is in 5mm increment. ⚠ A Dimension of GRRF and GRRMF is up to 250.

Part Number Type	B	T	Unit Price								
			A40-99	A100-129	A130-199	A200-250	GRRF	GRRMF	GRRF	GRRMF	
GRRF GRRMF	15	10	-	-	-	-	-	-	-	-	-
		15	-	-	-	-	-	-	-	-	-
	20	15	-	-	-	-	-	-	-	-	-
		20	-	-	-	-	-	-	-	-	-
	25	25	-	-	-	-	-	-	-	-	-
		30	-	-	-	-	-	-	-	-	-

Part Number Type	B	T	Unit Price						
			A40-95	A100-125	A130-165	A170-195	A200-250	A255-300	
GRMZ	15	10	-	-	-	-	-	-	
		15	-	-	-	-	-	-	
	20	15	-	-	-	-	-	-	
		20	-	-	-	-	-	-	
	25	25	-	-	-	-	-	-	
		30	-	-	-	-	-	-	

Ordering Example: Part Number - T - S - A - E - F - G - H
GRRF20 - 20 - 5 - 175 - E8.0 - F95.0 - G160.0




Gibs

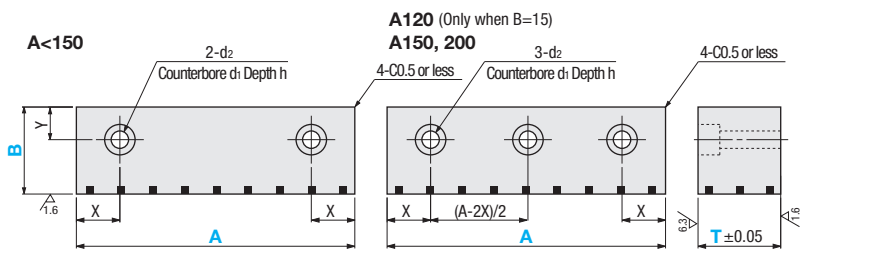
Lubrication-Free Copper Alloy

■ Features: Maintenance-free and economical L-Gibs.

■ Lubrication-Free Copper Alloy



Type	Material
SGRMZ	High-strength Brass Alloy Solid Lubricant Embedded



Part Number		T	A	X	Y	d1	d2	h	Unit Price	
Type	B									
SGRMZ (Oil Free Copper Alloy)	15	10	40	5	5	8	4.5	4.5		
			60							
			80							
			100							
	20	15	15	60	7	7	9.5	5.5	5.5	
				80						
				100						
				120						
	25	20	20	80	10	10	11	6.5	6.5	
				100						
				120						
				150						
30	25	25	80	10	10	14	9	9		
			100							
			120							
			200							

Ordering Example: Part Number - T - A
SGRMZ20 - 15 - 120

