

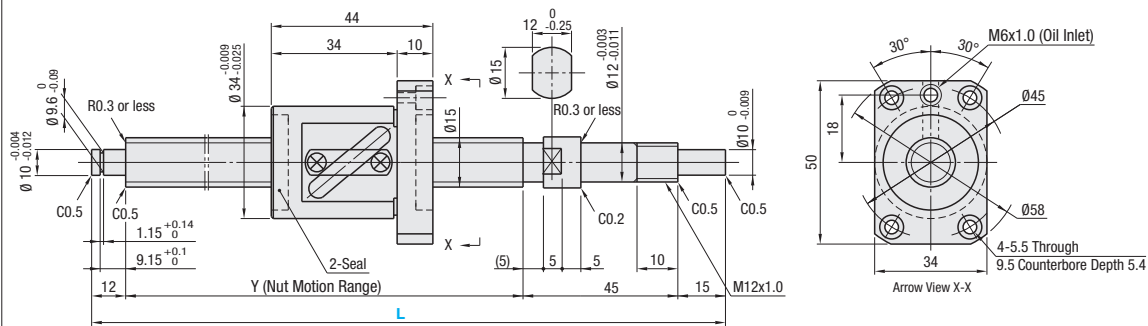
# Precision Ball Screws Standard Nut - Shaft Dia. 15, Lead 5, 10, 20

## Accuracy Grade C3, C5, C7

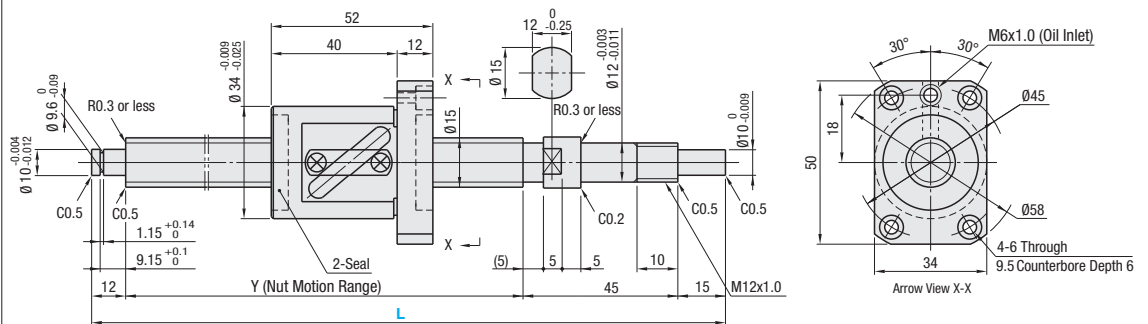
Points of comparison between similar products | Consider using this product if the usage environment is a high-load, and high-frequency drive application.

Nut Type	Type	Accuracy Grade	Shaft Dia.	Lead	Screw Shaft		Nut	
					Material	Hardness	Material	Hardness
Standard Nut	BSX	C3	15	5, 10, 20	AISI4150	Induction Hardened 58-62HRC	SCM420	Carburized 58-62HRC
	BSS	C5						
	BSSE	C7						

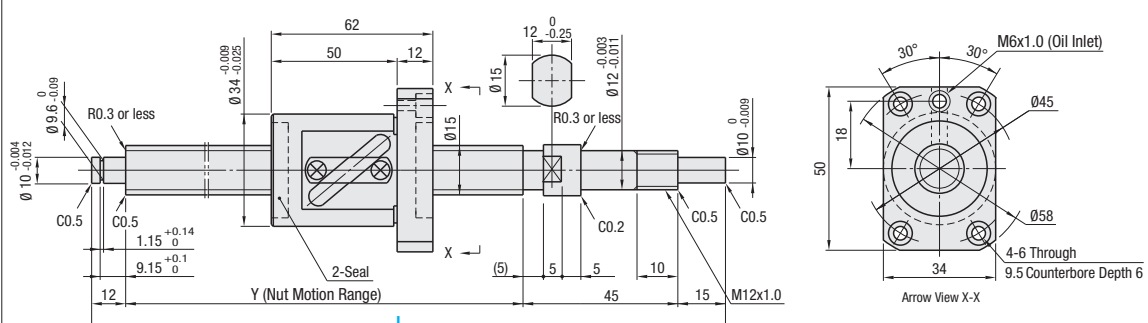
### BSX, BSS, BSSE1505



### BSS, BSSE1510



### BSS, BSSE1520



Nut Type	Accuracy Grade	Part Number		Y	Ball Dia.	Ball Center Dia.	Screw Root Dia.	Number of Circuits	Basic Load Rating		Axial Play	Preload Torque N-cm	Twisting Direction			
		Type	Lead						C (Dynamic) kN	Co (Static) kN						
Standard Nut	C3	BSX	150-590	L-72	3.175	15.8	(12.5)	2.5 turns, 1 row	4.34	6.25	0 (Preloaded)	1.5-6.0	Right			
	C5	BSS	150-1095						6.9	12.5	0.005 or Less	2.0 or Less				
	C7	BSSE	200-1095						0.030 or Less	-						
	C5	BSS	150-1095	L-72					1.5 turns, 1 row	4.4	7.9	0.005 or Less		3.0 or Less		
	C7	BSSE	200-1095												0.030 or Less	-
	C5	BSS	150-1095												0.005 or Less	3.0 or Less
C7	BSSE	230-1095	L-72	0.030 or Less	-											

Kgf=Nx0.101972

Accuracy Grade	Part Number	Unit Price 1 ~ 4 pc (s).													
		L150-199	L200	L201-229	L230-299	L300-390	L391-400	L401-590	L591-595	L596-600	L601-800	L801-895	L896-900	L901-1000	L1001-1095
C3	BSX1505														
C5	BSS1505														
C7	BSSE1505														
C5	BSS1510														
C7	BSSE1510														
C5	BSS1520														
C7	BSSE1520														



Ordering Example  
**Part Number** - **L**  
 BSX1505 - 300  
 BSS1510L - 420 (L Type Greased)  
 BSSE1510G - 420 (G Type Greased)

### Notes

- Filled with lithium soap based grease (Alvania Grease S2 made by Showa Shell Sekiyu K.K).
- Caution: Do not let the nuts overrun or remove the nuts from the screw shafts. It may cause the balls to fall out or damage the ball recirculation parts.
- Various grease options are available. For price and specifications, see P.686. BSX is not applicable.
- For accuracy of Ball Screws, see P.2223 and P.2224.
- For details of Support Units, see P.753 ~ P.778.
- Use one of the support unit accessory collars on the fastening nut side.

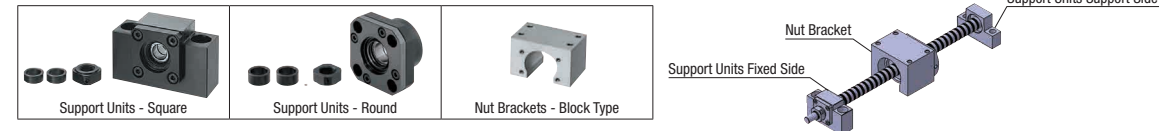


Alterations **Part Number** - **L** - (FC, KC-etc.)  
 BSS1505 - 350 - KC10

Alterations	Code	Spec.
No Machining on Support Side Shaft End	NC	No machining added on the support side shaft end. Ordering Code NC
Ball Nut Orientation Reversed (Support Side) (Fixed Side)	RLC	Changes the nut direction. Ordering Code RLC
No Retaining Ring Groove on Support Side Shaft End	RNC	Retaining ring groove is not machined on the support side shaft end. Ordering Code RNC Combination with FC is not available.
Change Support Side Shaft End Length	FC	Changes the length of the support side shaft end. FC=1mm Increment Ordering Code FC20 13≤FC≤30 Y dimension is shortened.
Change Support Side Shaft End Machining	GC	Changes the machining on the support side. G=1mm Increment Ordering Code GC-Q8-G20 5≤G≤Qx3 Y dimension is shortened.

Alterations	Code	Spec.
Tapped Hole on Support Side Shaft End	MC	Adds a tapped hole on the support side shaft end. MC=1mm Increment Ordering Code MC20 M Z M5x0.8 12 18≤MC≤30 Y dimension is shortened.
Keyway on Fixed Side Shaft End (Detailed Keyway Dimensions see P.684)	KC	Adds a keyway on the fixed side shaft end. KC=1mm Increment Ordering Code KC10 3≤KC≤14
Keyway on Fixed Side Shaft End	KLC	Adds a keyway at a customer specified area on the fixed side shaft end. (Keyway dim. is same as KC.) K, S=1mm Increment Ordering Code KLC-K5-S3 4≤K+S≤14
Flat Machined on Fixed Side Shaft End	SC	Adds a flat on the fixed side shaft end. SC=1mm Increment Ordering Code SC7 5≤SC≤14
2 Flats Machined on Fixed Side Shaft End	SWC, SGC, SGC	Adds two flats on the fixed side shaft end. SWC: 90° Position SGC: 120° Position 1mm Increment Ordering Code SWC10 5≤SWC, SGC≤14

### Peripherals: Combination of the following parts is available.



### Combination with Support Units

Ball Screw Part Number	Recommended Support Unit								
	Type	Screw Shaft O.D.	Lead	Part Number Type	No.	Shape	Fixed Side	Support Side	Page
BSX BSS BSSE	15	05 10 20		BRW	12	Round	○	○	P.767
				BUR	12				P.768
				BSW	12	Square	○	○	P.761
				BUN	12				P.762

### Combination with Nut Brackets

Ball Screw Part Number	Recommended Nut Bracket					
	Type	Screw Shaft O.D.	Lead	Part Number Type	No.	Page
BSX BSS BSSE	15	05 10 20		BNFB	1505S	P.780
				BNFM	1510S	P.780
				BNFR	1520S	P.780

Other than the part numbers shown above, a rich variety of Support Units are also available. (P.761-P.780)

Other than the part numbers shown above, a wide variety of Nut Brackets are also available. (P.780)