

Precision Ball Screws Standard Nut - Shaft Dia. 20, Lead 5, 10, 20

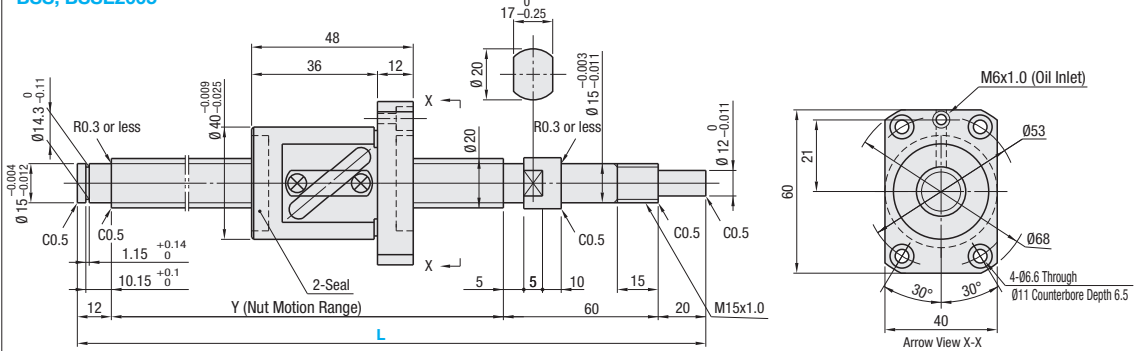
Accuracy Grade C5, C7

Points of comparison between similar products | Consider using this product if the usage environment is a high-load, and high-frequency drive application.

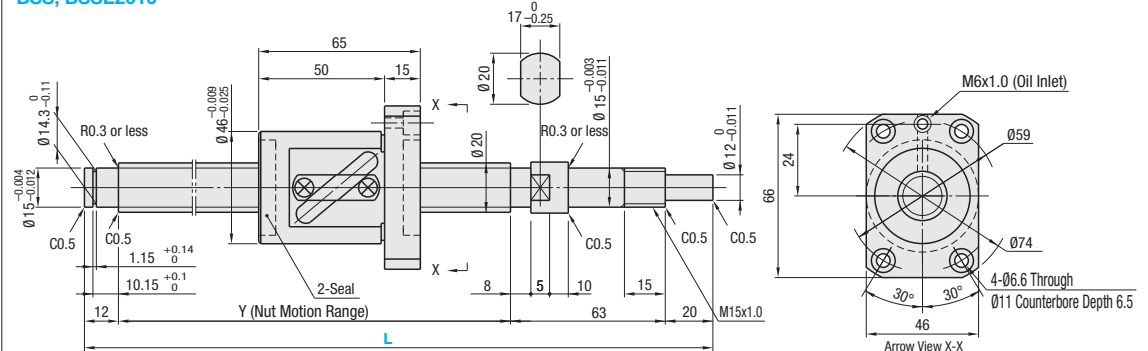
Nut Type	Type	Accuracy Grade	Shaft Dia.	Lead	Screw Shaft		Nut	
					Material	Hardness	Material	Hardness
Standard Nut	BSS	C5	20	5, 10, 20	AISI4150	Induction Hardened	SCM420	Carburized
	BSSE	C7				58-62HRC		58-62HRC

Ball bearings will fall out if the ball nut crosses the wrench flats.

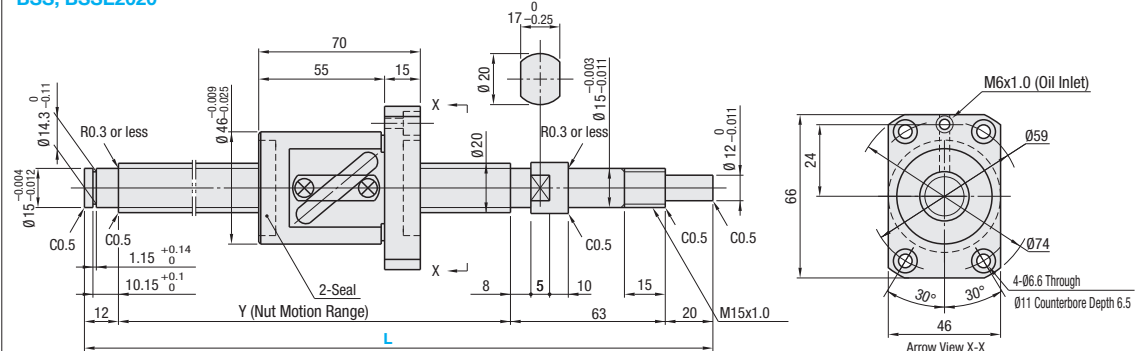
BSS, BSSE2005



BSS, BSSE2010



BSS, BSSE2020



Nut Type	Accuracy Grade	Part Number		1mm Increment L	Y	Ball Dia.	Ball Center Dia.	Screw Root Dia.	Number of Circuits	Basic Load Rating		Axial Play	Preload Torque N-cm	Twisting Direction
		Type	Screw Shaft O.D.							C (Dynamic) kN	Co (Static) kN			
Standard Nut	C5	BSS	20	05	L-92	3.175	20.8	(17.5)	2.5 turns, 1 row	8.35	17.5	0.005 or Less	3.0 or Less	Right
	C7	BSSE												
	C5	BSS		10	L-95	4.7625	21	(16)	1.5 turns, 1 row	13.5	25.1	0.005 or Less	4.0 or Less	
	C7	BSSE												
	C5	BSS		20	L-95	4.7625	21	(15.9)	1.5 turns, 1 row	9.2	16.2	0.005 or Less	4.0 or Less	
	C7	BSSE												

Kgf=Nx0.101972

Accuracy Grade	Part Number	Unit Price 1 ~ 4 pc (s).												
		L200 ~249	L250 ~299	L300 ~400	L401 ~600	L601 ~700	L701 ~800	L801 ~995	L996 ~1000	L1001 ~1200	L1201 ~1300	L1301 ~1495	L1496 ~1500	
C5	BSS2005													
C7	BSSE2005													
C5	BSS2010													
C7	BSSE2010													
C5	BSS2020													
C7	BSSE2020													

Ordering Example
 Part Number - L
 BSS2005 - 820
 BSSE2010L - 1000 (L Type Greased)
 BSSE2010G - 1000 (G Type Greased)

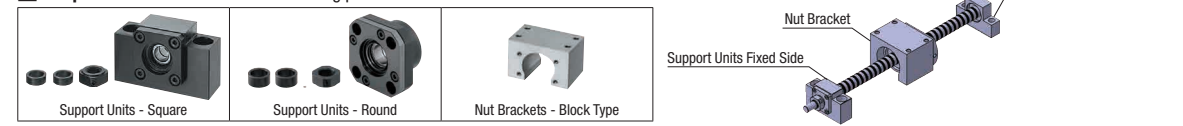
- Notes**
- Filled with lithium soap based grease (Alvania Grease S2 made by Showa Shell Sekiyu K.K).
 - Caution: Do not let the nuts overrun or remove the nuts from the screw shafts. It may cause the balls to fall out or damage the ball recirculation parts.
 - Various grease options are available. For price and specifications, see P.686
 - For accuracy of Ball Screws, see P.2223 and P.2224.
 - For details of Support Units, see P.753 ~ P.778.
 - Use one of the support unit accessory collars on the fastening nut side.

Alterations
 Part Number - L - (FC, KC...etc.)
 BSS2020 - 350 - KC10

Alterations	Code	Spec.
No Machining on Support Side Shaft End	NC	No machining added on the support side shaft end. Ordering Code NC
Ball Nut Orientation Reversed	RLC	Changes the nut direction. Ordering Code RLC
No Retaining Ring Groove on Support Side Shaft End	RNC	Retaining ring groove is not machined on the support side shaft end. Ordering Code RNC Combination with FC is not available.
Change Support Side Shaft End Length	FC	Changes the length of the support side shaft end. FC=1mm Increment Ordering Code FC20 13≤FC≤30 Y dimension is shortened.
Change Support Side Shaft End Machining	GC	Changes the machining on the support side. Q is selectable from 10, 12 and 15. G=1mm Increment Y dimension is shortened. Ordering Code GC-Q10-G20 5≤G≤Qx3

Alterations	Code	Spec.
Tapped Hole on Support Side Shaft End	MC	Adds a tapped hole on the support side shaft end. MC=1mm Increment Ordering Code MC25 M x L Mx1.0 15 21≤MC≤30
Keyway on Fixed Side Shaft End	KC	Adds a keyway on the fixed side shaft end. KC=1mm Increment Ordering Code KC15 4≤KC≤19
Keyway on Fixed Side Shaft End	KLC	Adds a keyway at a customer specified area on the fixed side shaft end. (Keyway dim. is same as KC.) K, S=1mm Increment Ordering Code KLC-K7-S2 5≤K+S≤19
Flat Machined on Fixed Side Shaft End	SC	Adds a flat on the fixed side shaft end. SC=1mm Increment Ordering Code SC7 5≤SC≤19
2 Flats Machined on Fixed Side Shaft End	SWC, SGC	Adds two flats on the fixed side shaft end. SWC: 90° Position SGC: 120° Position 1mm Increment Ordering Code SWC20 5≤SWC, SGC≤19

Peripherals: Combination of the following parts is available.



Combination with Support Units

Ball Screw Part Number	Recommended Support Unit			
	Type	Screw Shaft O.D.	Lead	Page
BSS BSSE	20	05 10 20	BRW 15	P.767
			BUR 15	P.768
			BSW 15	P.761
			BUN 15	P.762

Combination with Nut Brackets

Ball Screw Part Number	Recommended Nut Bracket			
	Type	Screw Shaft O.D.	Lead	Page
BSS BSSE	20	05 10 20	BNFB 2005S	P.780
			BNFM 2010S	P.780
			BNFR 2020S	P.780
			BNFA	

Other than the part numbers shown above, a wide variety of Support Units are also available. (P.761-P.778)

Other than the part numbers shown above, a wide variety of Nut Brackets are also available. (P.780)