

# Support Units - Fixed Side, Round Standard

Points of comparison between similar products | Consider using this product if the usage environment is a high-load, and high-frequency drive application.

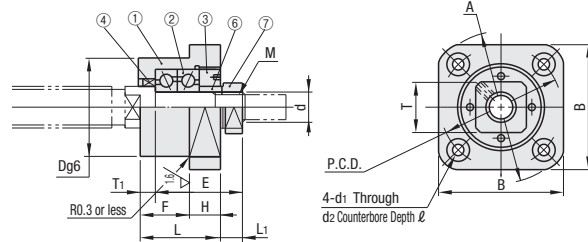
## Industry Standard



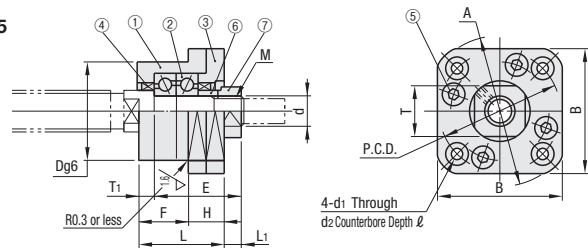
Type	Material	Surface Treatment
Fixed Side only	① ③ ⑥ ⑦	① ③ ⑥ ⑦
Fixed Side and Support Side SET	① ③ ⑥ ⑦	① ③ ⑥ ⑦
BRW	BRW-SET	Black Oxide
BRWN	BRWN-SET	Electroless Nickel Plating
BRWR	BRWR-SET	Low Temperature Black Chrome Plating

For No.8S and 10S, the I.D. of oil seal is smaller than the previous No.8S and No.10S versions.

d=6-8



d=10-25



### Component Details

Number	Part Name	Quantity
①	Bearing Housing	1
②	Japanese standard angular contact bearing Grade 5	1 Set
③	Cover	1
④	Oil Seal	2
⑤	Hex Socket Head Cap Screw*	4
⑥	Collar	2
⑦	Bearing Nut (with Set Piece)	1

- No oil seal ④ is attached in No. 6.
- One oil seal ④ is attached in No. 6L/8S/8.
- Do not disassemble ①, ②, ③, ④ and ⑤, as they must remain assembled.
- BSWR bearing is filled with low dust generation grease.
- Screws ⑤ for BRWR/BRWN are of Stainless Steel Type.
- When used together with a MISUMI ball screw, there is one support unit accessory collar spare.

Part Number	Support Side SET	d	L	H	F	E	D	A	P.C.D.	B	L1	T1	d1	d2	l	M (Fine Thread)	T	Oil Seal Applicable Shaft Dia.	
																			Type
BRW BRWN BRWR	-SET (Only when purchasing in Sets)	6L	6	20	7	13	22.5	22	36	35	28	28	6	3.4	6.5	4	M6x0.75	12	10
		6	6	20	7	13	22.5	22	36	35	28	28	6	3.4	6.5	3.5	M6x0.75	12	-
		8S	8	23	9	14	26	28	43	35	35	7	4	3.4	6.5	4	M8x1.0	14	10
		8	8	23	9	14	26	28	43	35	35	7	4	3.4	6.5	4	M8x1.0	14	11.5
		10S	10	29	13	16	29.5	34	52	42	42	5.5	5	4.5	8	6	M10x1.0	17	12
		10	10	29	13	16	29.5	34	52	42	42	5.5	5	4.5	8	6	M10x1.0	17	14
		12	12	29	13	16	29.5	34	54	44	44	5.5	5	4.5	8	6	M12x1.0	19	15
15	15	32	15	17	38	40	63	50	52	12	6	5.5	9.5	10	M15x1.0	22	20		
20	20	52	22	30	52	57	85	70	68	10	10	6.6	11	10	M20x1.0	30	25		
25	25	57	27	30	59	63	98	80	79	12	10	9	15	13	M25x1.5	35	31		

Ordering Example: **BRW15** (Fixed-side single type)

Part Number	Type	No.	BRW	BRW-SET	BRWN	BRWN-SET	BRWR	BRWR-SET
			Unit Price	Unit Price	Unit Price	Unit Price	Unit Price	Unit Price
		6L	1-10 pc(s)	1-10 pc(s)	1-10 pc(s)	1-10 pc(s)	1-10 pc(s)	1-10 pc(s)
		6						
		8S						
		8						
		10S						
		10						
		12						
		15						
		20						
		25						

- For details of Bearings mounting interface accuracies of Support Units, see Details of Bearing Nut P759
- Low Temperature Black Chrome Plating products are filled with low dust generation grease for cleanrooms.
- Store Accessories with care since they are required when assembling.

# Support Units - Support Side, Round <Standard> Standard

## Industry Standard

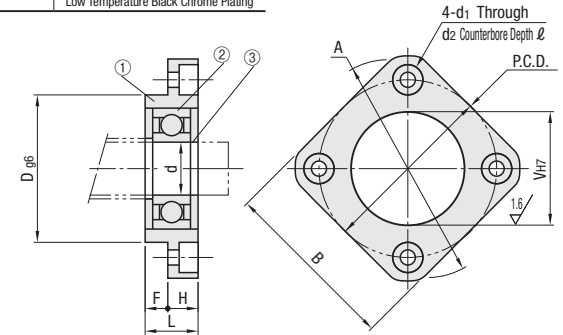


Type Standard	Material	Surface Treatment
BUR	S45C	Black Oxide
BURM		Electroless Nickel Plating
BURR		Low Temperature Black Chrome Plating

### Component Details

Number	Part Name	Quantity
①	Housing	1
②	Japanese made radial bearing	1
③	Retaining Ring (STWN, S)	1

- BURR bearing is Stainless Steel Type filled with low dust generation grease.
- Retaining rings ③ and ④ of BURR, BURM and BTRM are Stainless Steel Type.



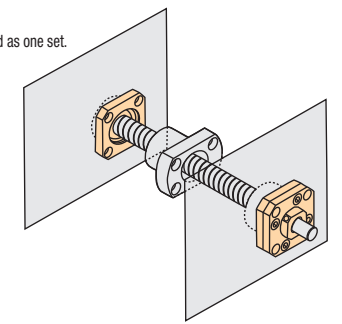
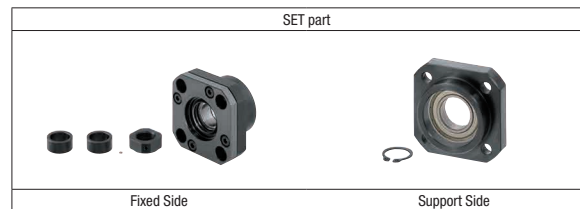
Part Number	Type	No.	d	L	H	F	D	A	P.C.D.	B	V	d1	d2	l	Bearing Type	Retaining Ring	BUR	BURM	BURR
																	Unit Price	Unit Price	Unit Price
		6	6	10	6	4	22	36	28	28	17	3.4	6.5	4	B606ZZ	STWN, S6			
		10	8	12	7	5	28	43	35	35	22	3.4	6.5	4	B608ZZ	STWN, S8			
		12	10	15	7	8	34	52	42	42	26	4.5	8		B6000ZZ	STWN, S10			
		15	15	17	9	8	40	63	50	52	32	5.5	9.5	5.5	B6002ZZ	STWN, S15			
		20	20	20	11	9	57	85	70	68	47	6.6	11	6.5	B6204ZZ	STWN, S20			
		25	25	24	14	10	63	98	80	79	52	9	14	8.5	B6205ZZ	STWN, S25			

Ordering Example: **BUN15** (Support side, separate item)

- For details of Bearings mounting interface accuracies of Support Units, see Details of Bearing Nut P759
- Low Temperature Black Chrome Plating products are filled with low dust generation grease for cleanrooms.
- Store Accessories with care since they are required when assembling.

## SET part overview

For customers using in conjunction with fixed side and support side We recommend a SET, which allows the fixed side and support side to be ordered as one set. 5% price reduction when ordering in SETs



## <SET parts>

### Black Oxide

SET Part Number	SET parts	
	Fixed Side Part Number	Support Side Part Number
BRW6L-SET	BRW6L	BUR6
BRW6-SET	BRW6	BUR6
BRW8S-SET	BRW8S	BUR6
BRW8-SET	BRW8	BUR6
BRW10S-SET	BRW10S	BUR10
BRW10-SET	BRW10	BUR10
BRW12-SET	BRW12	BUR12
BRW15-SET	BRW15	BUR15
BRW20-SET	BRW20	BUR20
BRW25-SET	BRW25	BUR25

### Electroless Nickel Plating

SET Part Number	SET parts	
	Fixed Side Part Number	Support Side Part Number
BRWN6L-SET	BRWN6L	BURM6
BRWN6-SET	BRWN6	BURM6
BRWN8S-SET	BRWN8S	BURM6
BRWN8-SET	BRWN8	BURM6
BRWN10S-SET	BRWN10S	BURM10
BRWN10-SET	BRWN10	BURM10
BRWN12-SET	BRWN12	BURM12
BRWN15-SET	BRWN15	BURM15
BRWN20-SET	BRWN20	BURM20
BRWN25-SET	BRWN25	BURM25

### Low Temperature Black Chrome Plating

SET Part Number	SET parts	
	Fixed Side Part Number	Support Side Part Number
BRWR6L-SET	BRWR6L	BURR6
BRWR6-SET	BRWR6	BURR6
BRWR8S-SET	BRWR8S	BURR6
BRWR8-SET	BRWR8	BURR6
BRWR10S-SET	BRWR10S	BURR10
BRWR10-SET	BRWR10	BURR10
BRWR12-SET	BRWR12	BURR12
BRWR15-SET	BRWR15	BURR15
BRWR20-SET	BRWR20	BURR20
BRWR25-SET	BRWR25	BURR25