


Clamp Plates for Large Position Indicator

Standard Lever / Bearing with Housing

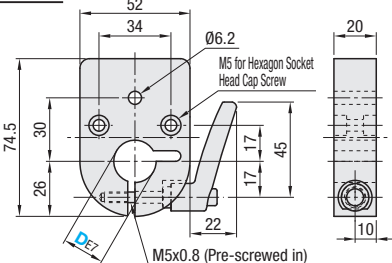
Standard Lever



RoHS10

Type	Main Body	Clamp Lever
	Material Surface Treatment	Material Surface Treatment
DPQK	Aluminum Alloy Black Anodize	Zinc Diecast Baked Paint

Do not use without inserting the screw shaft (empty tightening). It may deform, causing it to be unusable.



52, 34, 06.2, 74.5, 30, 26, 17, 17, 45, 20, 10, 22, M5 for Hexagon Socket Head Cap Screw, M5x0.8 (Pre-screwed in)

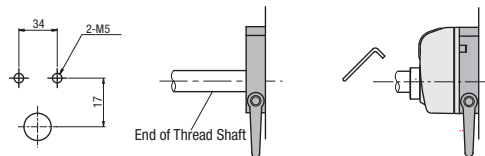
Part Number Type	D	Mass (g)	Unit Price
DPQK	12	202	
	14	200	
	15	198	
	16	197	
	17	196	
20	191		

Features

- Prevents rotations of the spindle due to machine vibrations.
- Screw Shaft (Lead Screw, Slide Screw, etc.) can be securely locked for a long period.
- Both mounting surfaces are counterbored to enable mounting from either side.


How to Mount

- Drill a screw hole for mounting the clamp plate on the mating plate.
- Mount the clamp plate using the hex socket head cap screw.
- Make sure that the screw shaft is in the correct position and that the memory of the indicator is set at 0, fix it with the included set screw.



Ordering Example Part Number DPQK12

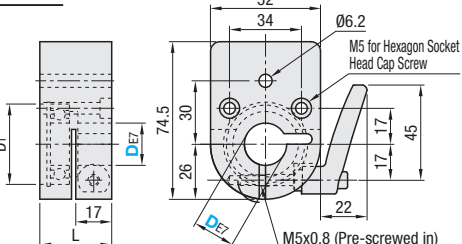
Bearing with Housing



RoHS10

Type	Main Body	Clamp Lever
	Material Surface Treatment	Material Surface Treatment
DPQKB	Aluminum Alloy Black Anodize	Zinc Diecast Baked Paint

Do not use without inserting the screw shaft (empty tightening). It may deform, causing it to be unusable.



52, 34, 06.2, 74.5, 30, 26, 17, 17, 45, 20, 10, 22, M5 for Hexagon Socket Head Cap Screw, M5x0.8 (Pre-screwed in)

Part Number Type	D	L	D ₁	Mass (g)	Bearing	Retaining Ring	Unit Price
DPQKB	12	31	28	308	6001ZZ	RTWN28	
	15	33	32	312	6002ZZ	RTWN32	
	17	34	35	318	6003ZZ	RTWN35	
	20	34	37	312	6904ZZ	RTWN37	

Notes

Do not use without inserting the screw shaft (empty tightening). It may deform, causing it to be unusable.

Ordering Example Part Number DPQKB12

Components Selection List for Digital Position Indicators Large

Digital Position Indicators Large (P811)			Clamp Plate		Lead Screw (P801~P807)					
Color	Type	Spindle Pitch	Type	D	Type	Shaft End Dia.		Screw Pitch		
						D	V, Q, R		E (1mm Increment)	
(Orange)	(Silver)	3	DPQK	12	(Right-Hand Thread)	16	10, 12	Q/2≤Es-Q-1 V/2≤Es-V-1	3	
				12	(Left-Hand Thread)	18	10, 12			
		4		12, 14, 15	MTSR	MTSL	20		10, 12, 14, 15	4
				12, 14, 15	MTSBR	MTSBL	22		10, 12, 14, 15	
		5		12, 14, 15, 16, 17	MTSTR	MTSTL	25		12, 14, 15, 16, 17	5
				14, 15, 16, 17, 20			28		14, 15, 16, 17, 20	
	6	14, 15, 16, 17, 20		(Right and Left-Hand Thread)	(Right and Left-Hand Thread)	32	14, 15, 16, 17, 20		6	
		17, 20		MTSW	MTSY	36	17, 20			
						40	20			


For shaft end dia. 20 of Lead Screws, collar is not necessary. D dimension of DPQKB is 12, 15, 17 and 20 only.

Clamp Plates for Compact Position Indicator

Standard / Miniature Lever / Bearing with Housing

Standard Lever

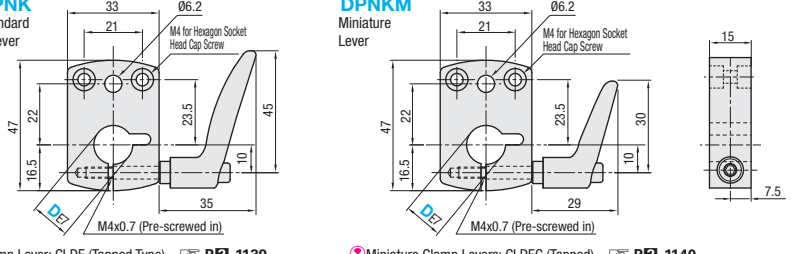
Miniature Lever



RoHS10

Type	Main Body	Clamp Lever
	Material Surface Treatment	Material Surface Treatment
DPNK, DPNKM	Aluminum Alloy Black Anodize	Zinc Diecast Baked Paint

Do not use without inserting the screw shaft (empty tightening). It may deform, causing it to be unusable.



33, 21, 06.2, 47, 22, 16.5, 23.5, 35, 45, 10, M4 for Hexagon Socket Head Cap Screw, M4x0.7 (Pre-screwed in)

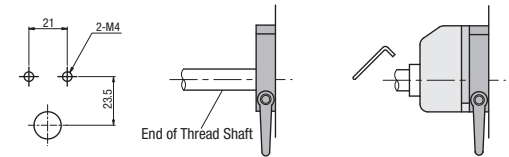
Part Number Type	D	Mass (g)	Unit Price
Standard Lever DPNK	8	86	77
	10	85	76
	12	83	74
	14	81	72

Features

- Prevents rotations of the spindle due to machine vibrations.
- Screw Shaft (Lead Screw, Slide Screw, etc.) can be securely locked for a long period.
- Both mounting surfaces are counterbored to enable mounting from either side.


How to Mount

- Drill a screw hole for mounting the clamp plate on the mating plate.
- Mount the clamp plate using the hex socket head cap screw.
- Make sure that the screw shaft is in the correct position and that the memory of the indicator is set at 0, fix it with the included set screw.



Ordering Example Part Number DPNK12, DPNKM10

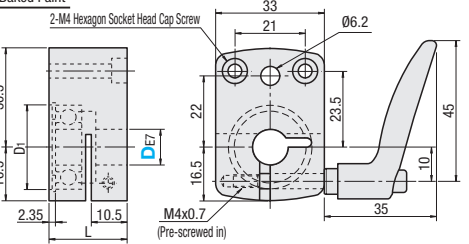
Bearing with Housing



RoHS10

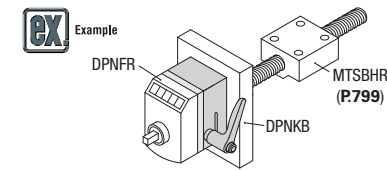
Type	Main Body	Clamp Lever
	Material Surface Treatment	Material Surface Treatment
DPNKB	Aluminum Alloy Black Anodize	Zinc Diecast Baked Paint

Do not use without inserting the screw shaft (empty tightening). It may deform, causing it to be unusable.



33, 21, 06.2, 30.5, 22, 16.5, 2.35, 10.5, 23.5, 45, 10, M4 Hexagon Socket Head Cap Screw, M4x0.7 (Pre-screwed in)

Part Number Type	D	L	D ₁	Mass (g)	Bearing	Retaining Ring	Unit Price
DPNKB	8	23	22	130	608ZZ	RTWN22	
	10	24	26	133	6000ZZ	RTWN26	
	12	24	28	132	6001ZZ	RTWN28	



Features of Bearing with Housing

The combination of the stopper plate and bearing in one piece, providing superior space-saving design.

Ordering Example Part Number DPNKB12

Components Selection List for Digital Position Indicators Compact

Digital Position Indicators Compact (P812)			Clamp Plate		Lead Screw (P801~P807)					
Color	Type	Spindle Pitch	Type	D	Type	Shaft End Dia.		Screw Pitch		
						D	V, Q, R		E (1mm Increment)	
(Orange)	(Silver)	2	DPNK, DPNKM, DPNKB	8	(Right-Hand Thread)	12	6, 8	Q/2≤Es-Q-1 V/2≤Es-V-1	2	
				8, 10	(Left-Hand Thread)	14	8, 10			
		3		10, 12	MTSR	MTSL	16		10, 12	3
				10, 12	MTSBR	MTSBL	18		10, 12	
		4		10, 12, 14	MTSTR	MTSTL	20		10, 12, 14	4
				10, 12, 14			22		10, 12, 14	
	5	12, 14		(Right and Left-Hand Thread)	(Right and Left-Hand Thread)	25	12, 14		5	
		14		MTSW	MTSY	28	14			
						32	14			

For shaft end dia. 14 of Lead Screws, collar is not necessary. D dimension of DPNKB is 8, 10 and 12 only. For shaft end dia. V/Q/R 6 of Lead Screws are applicable only to One End Stepped and Both Ends Stepped Type. E for shaft end dia. is applicable to only following types: One End Double Stepped / One End Stepped, One End Double Stepped / Both Ends Double Stepped.