
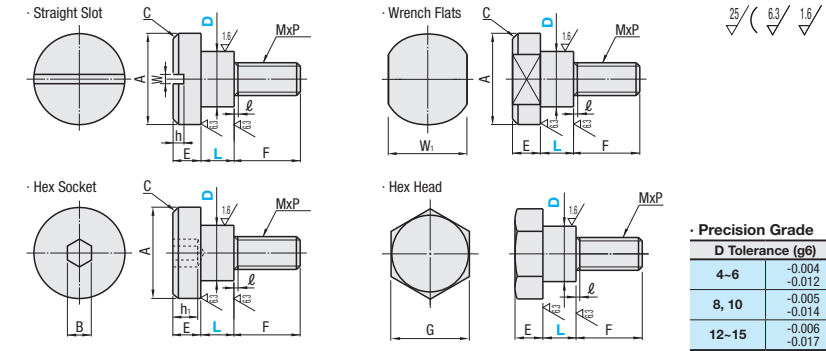


Fulcrum Pins

Selectable



Straight Slot		Hex Socket		Wrench Flats		Hex Head		Material	Hardness	Surface Treatment
Standard Grade	Precision Grade	Standard Grade	Precision Grade	Standard Grade	Standard Grade	Standard Grade	Standard Grade			
D ^{-0.01} _{-0.05}	Dg6	D ^{-0.01} _{-0.05}	Dg6	D ^{-0.01} _{-0.05}	D ^{-0.01} _{-0.05}	D ^{-0.01} _{-0.05}	D ^{-0.01} _{-0.05}	S45C Equivalent	40~45HRC	Black Oxide
CBBDD	-	CBBDR	CBDGBR	CBDGW	CBDL	-	-	SUS303 Equivalent	-	-
CBBDH	-	CBBDRH	-	CBDWH	-	-	-	-	-	-
CBD	CBDG	CBDR	CBDGR	CBDW	CBDL	-	-	-	-	-



L Dimension Tolerance	
Standard	Configurable
Unhardened	+0.15
	+0.05
Hardened	+0.2
	0

Precision Grade	
D Tolerance (g6)	
4-6	-0.004
	-0.012
8, 10	-0.005
	-0.014
12-15	-0.006
	-0.017

Part Number		D	L Selection	A	E		MxP (Coarse)	F	ℓ	W	B	h	h1	C	W1	G
Type					Straight Slot	Wrench Flats Hex Socket Hex Head										
Straight Slot (Standard)	Wrench Flats (Standard)	4	1 2 3 4 5 6 7 8	6	2	3.5	2.6x0.45	4	0.8	0.8	2	1	2	0.5	5	7
CBBDD	CBDGW	5	1 2 3 4 5 6 7 8 10	8	2	4	3x0.5	6	1	2.5	3	1.5	3	0.5	7	8
CBBDH	CBDWH															
CBD	CBDW	6	2 3 4 5 6 7 8 10	10	2.5	4	4x0.7	8	1.2	1.2	3	1.5	3	0.5	8	10
CBDG	-	8	5 6 7 8 9 10 12 20	12	3	4.5	5x0.8	10	1.4	1.2	4	1.5	3.5	0.5	10	13
CBBDR	CBDL	10	5 6 7 8 9 10 12 15 20	16	4	5	6x1.0	12	1.5	1.5	5	1.8	4	1	13	17
CBBDRH	-	12	6 7 8 9 10 12 13 15 20	18	5	5	8x1.25	12	1.5	1.5	5	2	4	1	14	19
CBDGR	-															

For Hex Socket, L≥5

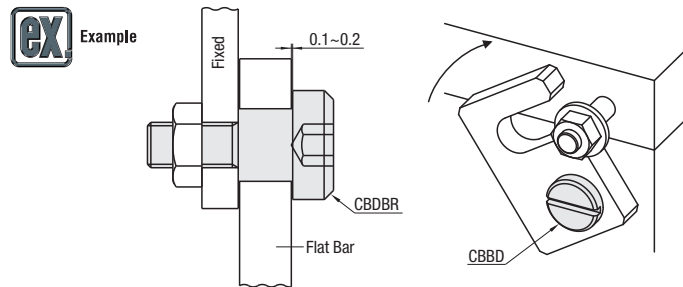
Ordering Example

Part Number - L

CBD6 - 10


CBDGR8 - 12

D	Unit Price												
	Straight Slot			Hex Socket				Wrench Flats			Hex Head		
	CBBDD	CBBDH	CBD	CBBDR	CBBDRH	CBDR	CBDGBR	CBDGR	CBDGW	CBDWH	CBDW	CBDL	CBDL
4													
5													
6													
8													
10													
12													

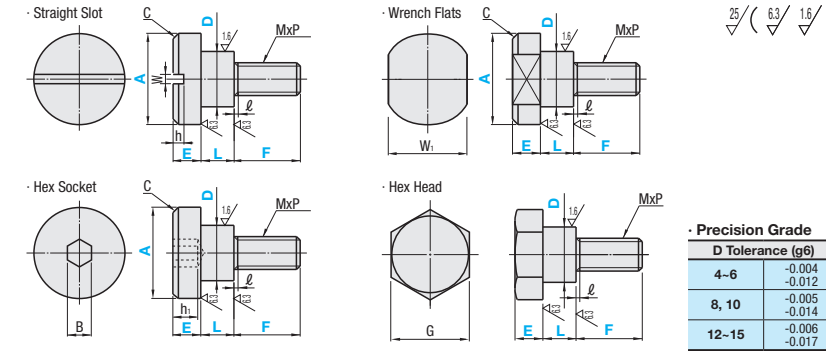


Fulcrum Pins

Configurable



Straight Slot		Hex Socket		Wrench Flats		Hex Head		Material	Hardness	Surface Treatment
Standard Grade	Precision Grade	Standard Grade	Precision Grade	Standard Grade	Standard Grade	Standard Grade	Standard Grade			
D ^{-0.01} _{-0.05}	Dg6	D ^{-0.01} _{-0.05}	Dg6	D ^{-0.01} _{-0.05}	D ^{-0.01} _{-0.05}	D ^{-0.01} _{-0.05}	D ^{-0.01} _{-0.05}	S45C Equivalent	40~45HRC	Black Oxide
FCBBDD	-	FCBBDR	FCBDGBR	FCBDGW	FCBDL	-	-	SUS303	-	-
FCBBDH	-	FCBBDRH	-	FCBDWH	-	-	-	-	-	-
FCBD	FCBDG	FCBDR	FCBDGR	FCBDW	FCBDL	-	-	-	-	-



L Dimension Tolerance	
Standard	Configurable
Unhardened	+0.1
	0
Hardened	+0.2
	0

Precision Grade	
D Tolerance (g6)	
4-6	-0.004
	-0.012
8, 10	-0.005
	-0.014
12-15	-0.006
	-0.017

Part Number		D	L=0.1mm Increment	A Selection		E=0.1mm Increment	F=1mm Increment	MxP (Coarse)	ℓ	W	B	h	h1	C	W1	G
Type				For Hex Head, selection is not needed.	For Hex Head, selection is not needed.											
Straight Slot (Standard)	Wrench Flats (Standard)	4	Straight Slot Wrench Flats Hex Head 1.0~20.0	6 8	3, 4	2.6x0.45	0.8	0.8	2	1	2	2	0.5	5	7	
*FCBBDD	FCBDGW	5		8 10	3-6	3x0.5	1	0.8	2.5	1	2.5	0.5	7	8		
*FCBBDH	FCBDWH	6		10 12	4-8	4x0.7	1.2	1.2	3	1.5	3	10	8	10		
*FCBD	CBDW	8		12 16	5-10	5x0.8	1.4	1.2	4	1.5	3.5	13	10	13		
FCBDR	FCBDL	10		16 18 20	6-12	6x1.0	1.4	1.4	4	1.8	3.5	17	13	17		
FCBDRH	FCBDL	12		18 20 22 24	8-12	8x1.25	1.5	1.5	5	2	4	19	14	19		
FCBDR	FCBDL	13		20 22 24	10-15	10x1.5	-	-	-	-	-	-	15	19		
FCBDR	FCBDL	15											17			

Machining Conditions: FCBBDR, FCBBDRH and FCBDL, E+L≥2xh1+2. D13 and D15 are not available for the * marked types.

Ordering Example

Part Number - L - A - E - F

FCBBDD6 - 10.0 - A10 - E2.5 - F6

FCBD6 - 10.0 - A12 - E3.0 - F4

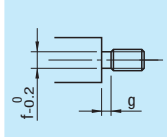
D	Unit Price												
	Straight Slot			Hex Socket				Wrench Flats			Hex Head		
	FCBBDD	FCBBDH	FCBD	FCBBDR	FCBBDRH	FCBDR	FCBDGBR	FCBDGR	FCBDGW	FCBDWH	FCBDW	FCBDL	FCBDL
4													
5													
6													
8													
10													
12													
13													
15													

Alterations

Part Number - L - A - E - F - (PC)

FCBBDD6 - 12.6 - A10 - E3.0 - F6 - PC

FCBD8 - 16.5 - A12 - E3.5 - F8 - PC

Alteration	Code	Spec.			
	PC	Adds a relief to M.			
		D	MxPitch	g	f
		4	M2.6x0.45	1.2	1.9
		5	M3 x 0.5	1.2	2.3
		6	M4 x 0.7	1.4	3.2
		8	M5 x 0.8	1.4	4.0
		10	M6 x 1.0	1.7	4.8
12, 13	M8 x1.25	1.7	6.5		
15	M10 x 1.5	2	8.2		