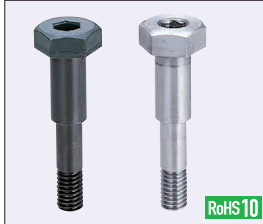
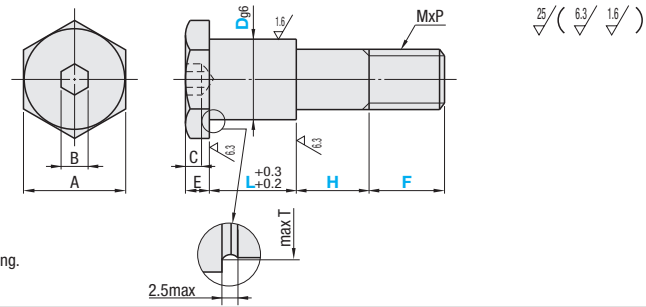


Fulcrum Pins

Low Head Stepped, With Lock Nut



Type		M Material	S Surface Treatment	H Hardness
Standard	Configurable	SCM435 Equivalent	Black Oxide	33-38HRC
CMSG	FCMSG	SUS304	-	-
SCMSG	FSCMSG	SUS304	-	-



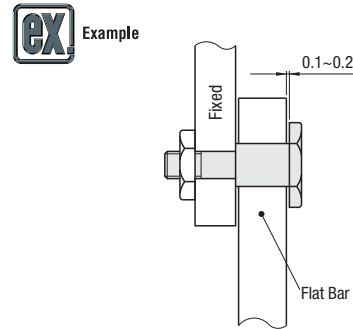
D Tolerance	
6	-0.004 -0.012
8, 10	-0.005 -0.014
12-18	-0.006 -0.017
20	-0.007 -0.020

Hex heads A and B are not aligned.
Precaution for Use:
Tighten the external hex A for finishing.

Standard															
Part Number	D _{g6}	L Selection				H=0.1mm Increment	A	B	C	E	F	MxP (Coarse)	T	Unit Price	
Type														CMSG	SCMSG
CMSG	6	5	6	9	10	12	10	3	2	7	4x0.7	6.5			
	8	5	6	9	10	12	13	5	3	9	6x1.0	8.7			
	10						17	6	4	12	8x1.25	10.8			
	12				10	12	16	19	22	25	10x1.5	14			
	13							19	8	5	6	16	10x1.5	14	
SCMSG	15						24	10	6	7	18	12x1.75	17		
	16				16	19	22	25				19			
	18						27	7	8			19			
	20						30	14		24	16x2.0	21			

Configurable													
Part Number	D _{g6}	L=1mm Increment	H=0.1mm Increment	F=1mm Increment	A	B	C	E	MxP (Coarse)	T	Unit Price		
Type											FCMSG	FSCMSG	
FCMSG	6	5-12	2.0- 50.0	4- 7	10	3	2	5	4x0.7	6.5			
	8	5-16		6- 9	13	5	3		6x1.0	8.7			
	10				17	6	4		8x1.25	10.8			
	12			3.0- 70.0	8-12	19	8	5	6	10x1.5	14		
	13				10-16								
FSCMSG	15	10-25	4.0- 80.0	12-18	24	10	6	7	12x1.75	17			
	16				27	7	8		16x2.0	21			
	18												
	20			4.0-100.0	16-24								

Ordering Example
Part Number - L - H - F
CMSG15 - 16 - 20.5
FSCMSG12 - 13 - 8 - 10



Alterations Example
Part Number - L - H - F - (HKC)
CMSG10 - 12 - 15.2 - HKC

Alterations	Code	Spec.										
	HKC	Dimension H will have an O.D. tolerance of g6. Dimension H Applicable Range										
		<table border="1"> <thead> <tr> <th>D</th> <th>H</th> </tr> </thead> <tbody> <tr> <td>6, 8</td> <td>10- 50</td> </tr> <tr> <td>10, 12, 1, 3</td> <td>15- 70</td> </tr> <tr> <td>15, 16, 18</td> <td>20- 80</td> </tr> <tr> <td>20</td> <td>20-100</td> </tr> </tbody> </table>	D	H	6, 8	10- 50	10, 12, 1, 3	15- 70	15, 16, 18	20- 80	20	20-100
D	H											
6, 8	10- 50											
10, 12, 1, 3	15- 70											
15, 16, 18	20- 80											
20	20-100											

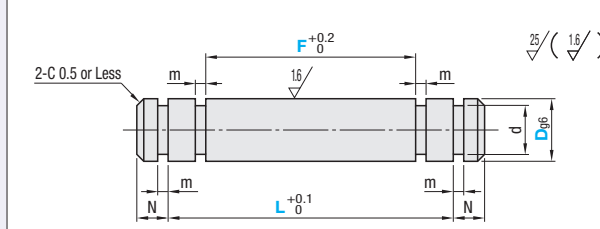
Precision Pivot Pins

Retaining Rings, Tapped Ends



Type	M Material	S Surface Treatment	A Accessory
CNPR	S45C Equivalent	Black Oxide	Retaining Rings 4 pcs.
SCNPR	SUS304	-	M Spring Steel M SUS304

D Tolerance (g6)	
3	-0.002 -0.008
4-6	-0.004 -0.012
8, 10	-0.005 -0.014
12-16	-0.006 -0.017
20, 25	-0.007 -0.020



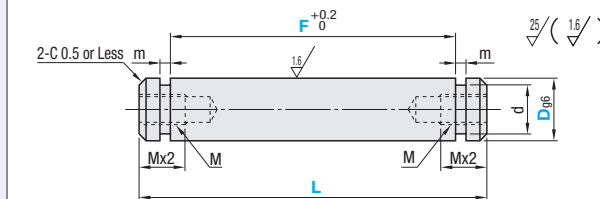
Part Number	Type	1mm Increment			N	d	Tolerance	m	Tolerance	Unit Price		
		L	F							CNPR	SCNPR	
CNPR SCNPR	3	8-60	5-47	2	2	+0.06 0	0.5	+0.05				
	4	9-60	5-48	2	3	0	0.7	+0.1 0				
	5	14-60	10-56		4	+0.075						
	6	14-100	10-96		5	0						
	8	30-200	25-195	4	7	+0.09 -0.09	1.15	+0.14 0				
	10				20-100	15-95			9.6	-0.09		
	12				20-200	15-195			11.5	0		
	13				12.4							
	14				13.4	-0.11						
	15				14.3							
	16				15.2							
	20	35-200	30-195		19	0	1.35					
	25				23.9	-0.21						

F_s=L-(2m+2)



Type	M Material	S Surface Treatment	A Accessory
CNPP	S45C Equivalent	Black Oxide	Retaining Ring 2 pcs.
SCNPP	SUS304	-	M Spring Steel M SUS304

D Tolerance (g6)	
8, 10	-0.005 -0.014
12-16	-0.006 -0.017
20, 25	-0.007 -0.020



Part Number	Type	1mm Increment			M (Coarse)	d	Tolerance	m	Tolerance	Unit Price	
		L	F							CNPP	SCNPP
CNPP SCNPP	8	14-100	10-96	M4	7	+0.09 0	0.9	+0.1 0			
	10	20-100	15-95	M6	9.6	-0.09	1.2	+0.14 0			
	12	20-200	15-195		11.5						
	13				12.4						
	14	30-200	25-195	M8	13.4	-0.11					
	15				14.3						
	16				15.2						
	20	35-200	30-195	M10	19	0	1.4				
	25			M12	23.9	-0.21					
				M16							

F_s=L-(2+2m)

Ordering Example
Part Number - L - F
CNPR15 - 120 - F100
CNPP20 - 80 - F60

Example

