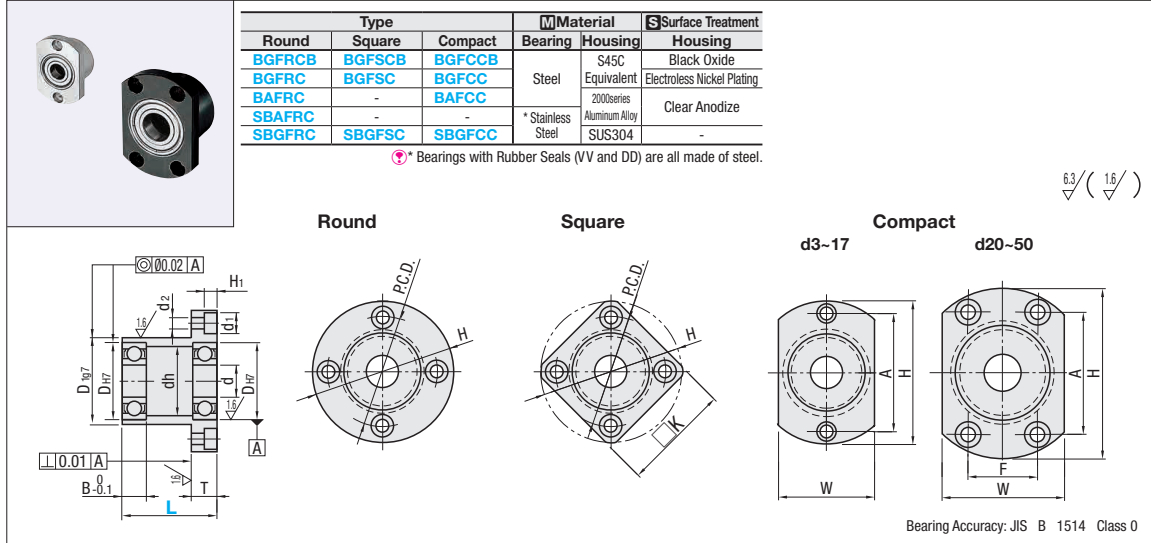


Bearings with Housings

Double Bearings, Non-Retained, L Configurable

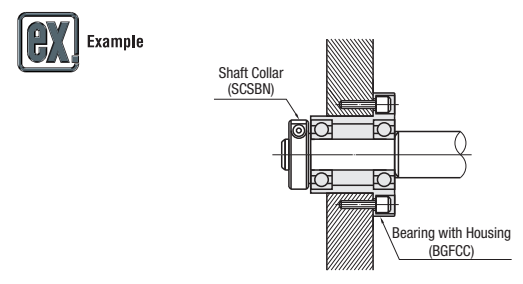


| Type | Part Number | L | d | DH7 | Tolerance | B | H | W | T | dh | D1g7 | Tolerance | P.C.D. | K | A | F | d1 | d2 | H1 | |
|---------|--|--------------------------------------|--|----------------------------------|-----------|--------|--------|----|----|----|------|-----------|--------|--------|----|----|-----|-----|-----|-----|
| (Round) | BGFRCB BGFRCB BAFRC BAFRC SBAFRC SBAFRC | ZZ Double Shielded | 20-40 | 3 | 10 | +0.015 | 4 | 33 | 16 | 7 | 7 | 14 | -0.006 | 24 | 27 | 24 | 6.5 | 3.5 | 3.1 | |
| | (Square) | BGFSCB BGFSCB SBGFCB SBGFCB | DD Contact Sealed Rubber Seal | 20-40 | 4 | 13 | +0.018 | 5 | 35 | 18 | 9 | 17 | -0.024 | 26 | 28 | 26 | 8 | 4.5 | 4.1 | |
| | | (Compact) | BGFCCB BGFCCB BAFCC BAFCC SBGFCB SBGFCB | DD Contact Sealed Rubber Seal | 20-40 | 5 | 14 | 0 | 5 | 36 | 20 | 10 | 18 | -0.007 | 28 | 31 | 28 | 8 | 4.5 | 4.1 |

Ordering Example: Part Number [] L []
 Type [] Bearing [] Seal []
 BGFC 6200 DD - 30
 BAFRC 628 ZZ - 38

| Bearing No. | Seal | Unit Price | | | | | | | | | | | | |
|-------------|------|------------|--------|-------|--------|--------|--------|--------|--------|---------|--------|-------|--------|--------|
| | | Round | | | | | Square | | | Compact | | | | |
| | | BGFRCB | BGFRCB | BAFRC | SBAFRC | SBGFCB | BGFSCB | BGFSCB | BGFSCB | BGFCCB | BGFCCB | BAFCC | SBGFCB | SBGFCB |
| 623 | | | | | | | | | | | | | | |
| 624 | | | | | | | | | | | | | | |
| 605 | | | | | | | | | | | | | | |
| 625 | | | | | | | | | | | | | | |
| 606 | | | | | | | | | | | | | | |
| 626 | | | | | | | | | | | | | | |
| 678 | | | | | | | | | | | | | | |
| 698 | | | | | | | | | | | | | | |
| 608 | | | | | | | | | | | | | | |
| 628 | | | | | | | | | | | | | | |
| 6700 | | | | | | | | | | | | | | |
| 6800 | | | | | | | | | | | | | | |
| 6900 | | | | | | | | | | | | | | |
| 6000 | | | | | | | | | | | | | | |
| 6200 | | | | | | | | | | | | | | |
| 6701 | | | | | | | | | | | | | | |
| 6801 | | | | | | | | | | | | | | |
| 6901 | | | | | | | | | | | | | | |
| 6001 | | | | | | | | | | | | | | |
| 6201 | | | | | | | | | | | | | | |
| 6702 | | | | | | | | | | | | | | |
| 6802 | | | | | | | | | | | | | | |
| 6902 | | | | | | | | | | | | | | |
| 6002 | | | | | | | | | | | | | | |
| 6202 | | | | | | | | | | | | | | |
| 6803 | | | | | | | | | | | | | | |
| 6903 | | | | | | | | | | | | | | |
| 6003 | | | | | | | | | | | | | | |
| 6203 | | | | | | | | | | | | | | |
| 6704 | | | | | | | | | | | | | | |
| 6804 | | | | | | | | | | | | | | |
| 6904 | | | | | | | | | | | | | | |
| 6004 | | | | | | | | | | | | | | |
| 6204 | | | | | | | | | | | | | | |
| 6805 | | | | | | | | | | | | | | |
| 6905 | | | | | | | | | | | | | | |
| 6005 | | | | | | | | | | | | | | |
| 6205 | | | | | | | | | | | | | | |
| 6806 | | | | | | | | | | | | | | |
| 6906 | | | | | | | | | | | | | | |
| 6006 | | | | | | | | | | | | | | |
| 6206 | | | | | | | | | | | | | | |
| 6007 | | | | | | | | | | | | | | |
| 6207 | | | | | | | | | | | | | | |
| 6008 | | | | | | | | | | | | | | |
| 6208 | | | | | | | | | | | | | | |
| 6010 | | | | | | | | | | | | | | |
| 6210 | | | | | | | | | | | | | | |

*The price of sealed VV and DD are the price shown in the table multiplied by 1.1.



Alterations Part Number [] L [] (NA)
 SBFCC620ZZ - 30 - NA

| Alteration Code | Bearings Not Assembled |
|-----------------|--|
| | NA |
| Spec. | Bearings are shipped unassembled to the housing. |

*Check for available sizes in the price list.

*1 No. 623, 624, 605, 606 and numbers starting with 67 are not available for VV (Non-contact Sealed).

*2 Bearings with Rubber Seals are all made of steel.