

Bearings with Housings

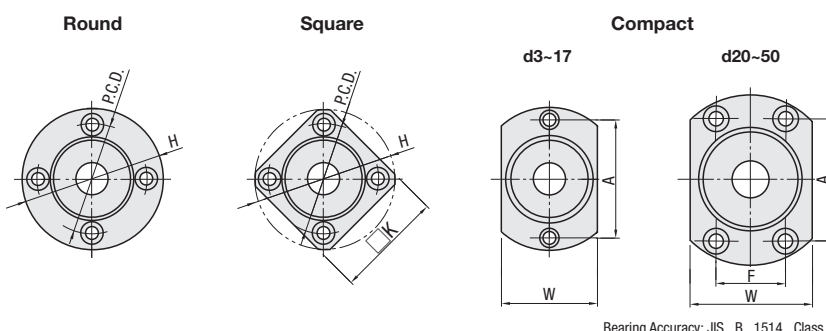
Double Bearings with Pilot, Retained, L Selectable



Type			Material		Surface Treatment		Accessory
Round	Square	Compact	Bearing	Housing	Bearing	Housing	Retaining Ring
BGRZB	BGSZB	BGCZB	Steel	S45C	Black Oxide	Spring Steel	SUS304 ¹
BGRZ	BGSZ	BGCZ		Equivalent	Electroless Nickel Plating		
BARZ	BASZ	BACZ	* Stainless Steel	2000series Aluminum Alloy	Clear Anodize		SUS304
SBARZ	SBASZ	SBACZ		SUS304			
SBGRZ	SBGSZ	SBGCZ					

* Bearings with Rubber Seals (VV and DD) are all made of steel.
 * 1 When D is 68 ~ 90, the retaining ring is Spring Steel + Electroless Nickel Plating.

6.3 / (1.6 /)



Bearing Accuracy: JIS B 1514 Class 0

Type	Part Number	Seal	L Selection	S	d	DH7	Tolerance	B	ℓ	H	W	T	dh	D197	Tolerance	P.C.D.	K	A	F	d1	d2	H1
(Round)	BGRZB	ZZ Double Shielded	20 30	5	3	10	+0.015	4	2.65	33	16	7	7	14	-0.006	24	27	24		6.5	3.5	3.1
	BGRZ		20 30	5	4	13		5	2.65	35	18		9	17	-0.024	26	28	26				
	BGRZ		25 35	5	14	5	+0.018	5	2.65	38	20		10	18		28	30	28				
	BARZ		35 40	10	5	16	0	5	2.65	40	22		12	20		30	31	30				
	BARZ		25 40	5	17	6		6	2.65	41	23		13	21		31	32	31				
	SBARZ		35 45	10	19	6		6	2.65	44	25		15	24		34	34	34				
	SBGRZ		25 35	5	19	6		6	2.65	44	25		15	24	-0.007	34	34	34				
	SBGRZ		25 35	5	8	7		7	2.65	47	29		18	27	-0.028	37	36	37				
	SBGRZ		35 45	10	24	8		8	2.85	50	32		20	30		40	37	40				
	SBGRZ		20 30	5	19	5		5	2.65	44	25		15	24		34	34	34				
(Square)	BGSZB	VV Non-Contact Sealed Rubber Seal	25 40	5	10	22	+0.021	6	2.65	47	29	8	19	27		37	36	37		8	4.5	4.1
	BGSZ		35 50	10	24	8	0	8	2.85	52	34		22	32	-0.009	42	39	42				
	BASZ		45 55	15	30	9		9	2.85	56	38		24	36	-0.034	46	42	46				
	SBASZ		25 35	5	21	5		5	2.85	47	29		17	26	-0.007	37	36	37				
	SBGSZ		35 50	10	24	6		6	2.85	50	31		21	30	-0.028	40	38	40				
	SBGSZ		35 50	10	28	8		8	2.85	54	36		24	34	-0.009	44	40	44				
	SBGSZ		45 55	15	32	10		10	2.85	58	40		26	38	-0.034	48	43	48				
	SBGSZ		25 35	5	24	5		5	2.85	50	32		20	30	-0.028	40	37	40				
	SBGSZ		35 60	10	28	7		7	2.85	59	37		25	35		47	45	47				
	SBGSZ		45 65	15	32	9		9	2.85	62	40		28	38		50	46	50				
(Compact)	BGCZB	DD Contact Sealed Rubber Seal	50 65	15	30	30	+0.021	7	2.85	60	38	10	27	36	-0.009	48	46	48		9.5	5.5	5.1
	BGCZ		50 65	15	17	35		10	3.75	66	44		31	42	-0.034	54	50	54				
	BGCZ		60 70	20	40	12		12	3.95	72	50		34	48		60	54	60				
	BACZ		35 50	10	32	7		7	3.75	62	40		28	38		50	46	44	24			
	BACZ		50 65	15	37	9		9	3.75	72	47		34	45		59	54	54	24			
	BACZ		60 70	20	42	12		12	3.95	77	54		36	50		64	59	56	32			
	BACZ		65 70	20	47	14		14	3.95	81	58		40	54	-0.010	68	62	59	34	11	6.6	6.1
	BACZ		35 50	15	37	7		7	3.75	72	47		34	45	-0.009	59	54	54	24			
	BACZ		35 50	15	42	9		9	3.95	77	54		36	50	-0.034	64	59	55	32			
	BACZ		60 80	20	47	12		12	3.95	88	58		41	54	-0.010	72	67	63	36	14	9	8.1
(Compact)	BACZ	65 80	20	52	15		15	4.2	94	64		45	60	-0.040	78	72	68	39				
	BACZ	35 50	15	42	7		7	3.95	77	54		36	50	-0.034	64	59	56	32				
	BACZ	35 50	15	47	9		9	3.95	88	58		41	54		72	67	62	36				
	BACZ	60 80	20	55	13		13	4.2	96	66		48	62	-0.010	80	73	70	40	14	9	8.1	
	BACZ	70 80	20	62	16		16	4.2	104	74		55	70	-0.040	88	79	77	44				
	BACZ	70 80	20	62	14		14	4.2	104	74		55	70		88	79	75	44				
	BACZ	70 90	20	72	17		17	6	126	88		64	84	-0.012	105	95	92	51	17.5	11	11	
	BACZ	80 90	25	68	15		15	5.2	114	82		60	78	-0.010	96	86	80	54	14	9	8.1	
	BACZ	70 90	20	80	18		18	6	134	96		74	92		113	102	98	56				
	BACZ	60 10	ZZ	80	20	80		16	6	134	96		74	92	-0.012	113	-	98	56	17.5	11	11
BACZ	62 10	ZZ	100	20	90		20	7	147	110		83	106	-0.047	126	-	104	72				

* Check for available sizes in the price list.

*1 No. 623, 624, 605 and 606 are not available for VV (Non-contact Sealed).

*2 Bearings with Rubber Seals are all made of steel.

Ordering Example

Part Number	L
Type Bearing Seal	-
BGRZ 6003 ZZ	- 50
SBASZ 6904 VV	- 65

Bearing No.	Seal	Unit Price														
		Round			Square			Compact								
		BGRZB	BGRZ	BARZ	SBARZ	SBGRZ	BGSZB	BGSZ	BASZ	SBASZ	SBGSZ	BGCZB	BGCZ	BACZ	SBACZ	SBGCZ
623																
624																
605																
625																
606																
626																
698																
608																
628																
6800																
6900																
6000																
6200																
6801																
6901																
6001																
6201																
6802																
6902	ZZ (x1.0)															
6002																
6202	VV (x1.1)															
6903																
6003	DD (x1.1)															
6203																
6804																
6904																
6004																
6204																
6805																
6905																
6005																
6205																
6806																
6906																
6006																
6206																
6007																
6207																
6008																
6208																
6010																
6210																

* The price of sealed VV and DD are the price shown in the table multiplied by 1.1.

Alterations

Part Number	L	(NA)
BGSZ6000ZZ	- 35	- NA

Alteration	Bearings, Retaining Rings Not Assembled
Code	NA
Spec.	Bearings and retaining rings are shipped unassembled to the housing.