


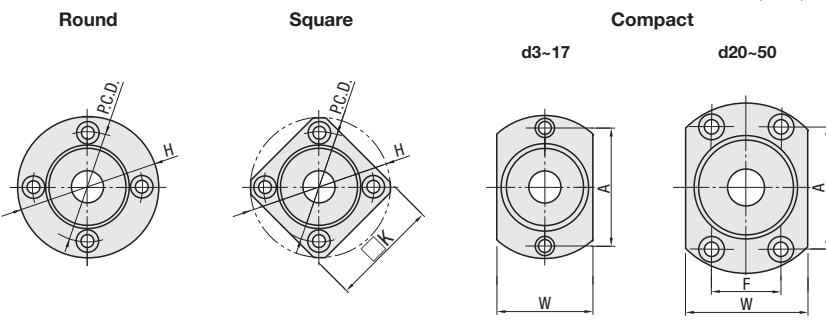
Bearings with Housings

Double Bearings with Pilot, Retained, L Configurable



| Type | | | Material | | Surface Treatment | | Accessory Retaining Ring |
|--------|--------|---------|-----------------|----------------------------|-------------------|---------|--------------------------|
| Round | Square | Compact | Bearing | Housing | Bearing | Housing | |
| BGFRZB | - | BGFCZB | Steel | S45C Equivalent | Black Oxide | | Spring Steel |
| BGFRZ | BGFSZ | BGFCZ | | Electroless Nickel Plating | | | |
| BAFRZ | - | SBAFCZ | | 2000Series Aluminum Alloy | Clear Anodize | | SUS304 |
| SBAFRZ | - | SBAFCZ | Stainless Steel | Aluminum Alloy | | | |

Ⓜ Bearings with Rubber Seals (VV and DD) are all made of steel.



Bearing Accuracy: JIS B 1514 Class 0

Ordering Example: **Part Number** [Type] [Bearing] [Seal] - [L] - [S]

BGCN 6000 ZZ - 25 - S12
 BGSN 6203 DD - 30

When S is not specified, S dimension will be the minimum value. In this case, S=10

| Bearing No. | Seal | Unit Price | | | | | | | | | | | | | | | | | |
|-------------|------|------------|-------|-------|--------|---------|--------|-------|--------|--|--|--|--|--|--|--|--|--|--|
| | | Round | | | Square | Compact | | | | | | | | | | | | | |
| | | BGFRZB | BGFRZ | BAFRZ | SBAFRZ | BGFSZ | BGFCZB | BGFCZ | SBAFCZ | | | | | | | | | | |
| 623 | | | | | | | | | | | | | | | | | | | |
| 624 | | | | | | | | | | | | | | | | | | | |
| 605 | | | | | | | | | | | | | | | | | | | |
| 625 | | | | | | | | | | | | | | | | | | | |
| 606 | | | | | | | | | | | | | | | | | | | |
| 626 | | | | | | | | | | | | | | | | | | | |
| 698 | | | | | | | | | | | | | | | | | | | |
| 608 | | | | | | | | | | | | | | | | | | | |
| 628 | | | | | | | | | | | | | | | | | | | |
| 6800 | | | | | | | | | | | | | | | | | | | |
| 6900 | | | | | | | | | | | | | | | | | | | |
| 6000 | | | | | | | | | | | | | | | | | | | |
| 6200 | | | | | | | | | | | | | | | | | | | |
| 6801 | | | | | | | | | | | | | | | | | | | |
| 6901 | | | | | | | | | | | | | | | | | | | |
| 6001 | | | | | | | | | | | | | | | | | | | |
| 6201 | | | | | | | | | | | | | | | | | | | |
| 6802 | | | | | | | | | | | | | | | | | | | |
| 6902 | | | | | | | | | | | | | | | | | | | |
| 6002 | | | | | | | | | | | | | | | | | | | |
| 6202 | | | | | | | | | | | | | | | | | | | |
| 6903 | | | | | | | | | | | | | | | | | | | |
| 6003 | | | | | | | | | | | | | | | | | | | |
| 6203 | | | | | | | | | | | | | | | | | | | |
| 6804 | | | | | | | | | | | | | | | | | | | |
| 6904 | | | | | | | | | | | | | | | | | | | |
| 6004 | | | | | | | | | | | | | | | | | | | |
| 6204 | | | | | | | | | | | | | | | | | | | |
| 6805 | | | | | | | | | | | | | | | | | | | |
| 6905 | | | | | | | | | | | | | | | | | | | |
| 6005 | | | | | | | | | | | | | | | | | | | |
| 6205 | | | | | | | | | | | | | | | | | | | |
| 6806 | | | | | | | | | | | | | | | | | | | |
| 6906 | | | | | | | | | | | | | | | | | | | |
| 6006 | | | | | | | | | | | | | | | | | | | |
| 6206 | | | | | | | | | | | | | | | | | | | |
| 6007 | | | | | | | | | | | | | | | | | | | |
| 6207 | | | | | | | | | | | | | | | | | | | |
| 6008 | | | | | | | | | | | | | | | | | | | |
| 6208 | | | | | | | | | | | | | | | | | | | |
| 6010 | | | | | | | | | | | | | | | | | | | |
| 6210 | | | | | | | | | | | | | | | | | | | |

Ⓜ The price of sealed VV and DD are the price shown in the table multiplied by 1.1.

Alterations Example: **Part Number** [Type] [Bearing] [Seal] - [L] - [S] - (NA)

BGFSZ6000ZZ - 35 - NA

| | |
|------------|--|
| Alteration | Bearings, Retaining Rings Not Assembled |
| Code | NA |
| Spec. | Bearings and retaining rings are shipped unassembled to the housing. |

| Type | Bearing No. | Seal | 1mm Increment | | d | DH7 | Tolerance | B | ℓ | H | W | T | dh | D _{H7} | Tolerance | P.C.D. | K | A | F | d ₁ | d ₂ | H ₁ |
|------|-------------|------|---------------|-------|----|-----|-----------|----|------|-----|-----|---|----|-----------------|-----------|--------|-----|-----|----|----------------|----------------|----------------|
| | | | L | S | | | | | | | | | | | | | | | | | | |
| | 623 | | 20-40 | 5-28 | 3 | 10 | +0.015 | 4 | 2.65 | 33 | 16 | 7 | 7 | 14 | -0.006 | 24 | 27 | 24 | | 6.5 | 3.5 | 3.1 |
| | 624 | | 20-40 | 5-28 | 4 | 13 | | 5 | 2.65 | 35 | 18 | 7 | 9 | 17 | -0.024 | 26 | 28 | 26 | | | | |
| | 605 | | 20-40 | 5-27 | 5 | 14 | +0.018 | 5 | 2.65 | 38 | 20 | 7 | 10 | 18 | | 28 | 30 | 28 | | | | |
| | 625 | | 30-40 | 10-22 | 5 | 16 | 0 | 5 | 2.65 | 40 | 22 | 7 | 12 | 20 | | 30 | 31 | 30 | | | | |
| | 606 | | 20-40 | 5-27 | 6 | 17 | | 6 | 2.65 | 41 | 23 | 7 | 13 | 21 | | 31 | 32 | 31 | | | | |
| | 626 | | 30-50 | 10-32 | 6 | 19 | | 6 | 2.65 | 44 | 25 | 7 | 15 | 24 | | 34 | 34 | 34 | | | | |
| | 698 | | 25-50 | 5-37 | 8 | 19 | | 6 | 2.65 | 44 | 25 | 7 | 15 | 24 | -0.007 | 34 | 34 | 34 | | | | |
| | 608 | | 20-50 | 5-37 | 8 | 22 | | 7 | 2.65 | 47 | 29 | 7 | 18 | 27 | -0.028 | 37 | 36 | 37 | | | | |
| | 628 | | 30-50 | 10-32 | 8 | 24 | | 8 | 2.85 | 50 | 32 | 7 | 20 | 30 | | 40 | 37 | 40 | | | | |
| | 6800 | | 20-40 | 5-27 | 10 | 19 | +0.021 | 5 | 2.65 | 44 | 25 | 7 | 15 | 24 | | 34 | 34 | 34 | | | | |
| | 6900 | | 25-60 | 5-47 | 10 | 22 | 0 | 6 | 2.65 | 47 | 29 | 7 | 19 | 27 | | 37 | 36 | 37 | | | | |
| | 6000 | | 30-60 | 10-42 | 10 | 26 | | 8 | 2.85 | 52 | 34 | 7 | 22 | 32 | -0.009 | 42 | 39 | 42 | | | | |
| | 6200 | | 40-60 | 15-37 | 10 | 30 | | 9 | 2.85 | 56 | 38 | 7 | 24 | 36 | -0.034 | 46 | 42 | 46 | | | | |
| | 6801 | | 25-50 | 5-37 | 12 | 21 | | 5 | 2.85 | 47 | 29 | 7 | 17 | 26 | -0.007 | 37 | 36 | 37 | | | | |
| | 6901 | | 30-60 | 10-42 | 12 | 24 | | 6 | 2.85 | 50 | 31 | 7 | 21 | 30 | -0.028 | 40 | 38 | 40 | | | | |
| | 6001 | | 30-60 | 10-42 | 12 | 28 | | 8 | 2.85 | 54 | 36 | 7 | 24 | 34 | -0.009 | 44 | 40 | 44 | | | | |
| | 6201 | | 40-70 | 15-47 | 12 | 32 | +0.025 | 10 | 2.85 | 58 | 40 | 7 | 26 | 38 | -0.034 | 48 | 43 | 48 | | | | |
| | 6802 | | 25-60 | 10-42 | 15 | 24 | +0.021 | 5 | 2.85 | 50 | 32 | 7 | 20 | 30 | -0.028 | 40 | 37 | 40 | | | | |
| | 6902 | | 30-70 | 10-50 | 15 | 28 | 0 | 7 | 2.85 | 59 | 37 | 7 | 25 | 35 | | 47 | 45 | 47 | | | | |
| | 6002 | | 40-70 | 15-45 | 15 | 32 | +0.025 | 9 | 2.85 | 62 | 40 | 7 | 28 | 38 | | 50 | 46 | 50 | | | | |
| | 6202 | | 40-70 | 15-45 | 15 | 35 | 0 | 11 | 3.75 | 66 | 44 | 7 | 29 | 42 | | 54 | 49 | 54 | | | | |
| | 6903 | | 40-70 | 15-45 | 17 | 30 | +0.021 | 7 | 2.85 | 60 | 38 | 7 | 27 | 36 | -0.009 | 48 | 46 | 48 | | | | |
| | 6003 | | 40-70 | 15-45 | 17 | 35 | | 10 | 3.75 | 66 | 44 | 7 | 31 | 42 | -0.034 | 54 | 50 | 54 | | | | |
| | 6203 | | 50-70 | 20-40 | 17 | 40 | | 12 | 3.95 | 72 | 50 | 7 | 34 | 48 | | 60 | 54 | 60 | | | | |
| | 6804 | | 35-70 | 10-50 | 20 | 32 | +0.025 | 7 | 3.75 | 62 | 40 | 7 | 28 | 38 | | 50 | 46 | 44 | 24 | | | |
| | 6904 | | 45-70 | 15-44 | 20 | 37 | | 9 | 3.75 | 72 | 47 | 7 | 34 | 45 | | 59 | 54 | 54 | 24 | | | |
| | 6004 | | 55-80 | 20-49 | 20 | 42 | 0 | 12 | 3.95 | 77 | 54 | 7 | 36 | 50 | | 64 | 59 | 56 | 32 | | | |
| | 6204 | | 55-80 | 20-49 | 20 | 47 | | 14 | 3.95 | 81 | 58 | 7 | 40 | 54 | -0.010 | 68 | 62 | 59 | 34 | | | |
| | 6805 | | 35-70 | 15-44 | 25 | 37 | | 7 | 3.75 | 72 | 47 | 7 | 34 | 45 | -0.009 | 59 | 54 | 54 | 24 | | | |
| | 6905 | | 35-70 | 15-44 | 25 | 42 | | 9 | 3.95 | 77 | 54 | 7 | 36 | 50 | -0.034 | 64 | 59 | 55 | 32 | | | |
| | 6005 | | 55-80 | 20-47 | 25 | 47 | | 12 | 3.95 | 88 | 58 | 7 | 41 | 54 | -0.010 | 72 | 67 | 63 | 36 | | | |
| | 6205 | | 55-80 | 20-47 | 25 | 52 | +0.030 | 15 | 4.2 | 94 | 64 | 7 | 45 | 60 | -0.040 | 78 | 72 | 68 | 39 | | | |
| | 6806 | | 35-70 | 15-42 | 30 | 42 | +0.025 | 7 | 3.95 | 77 | 54 | 7 | 36 | 50 | -0.034 | 64 | 59 | 56 | 32 | | | |
| | 6906 | | 35-70 | 15-42 | 30 | 47 | 0 | 9 | 3.95 | 88 | 58 | 7 | 41 | 54 | | 72 | 67 | 62 | 36 | | | |
| | 6006 | | 55-80 | 20-47 | 30 | 55 | | 13 | 4.2 | 96 | 66 | 7 | 48 | 62 | -0.010 | 80 | 73 | 70 | 40 | | | |
| | 6206 | | 55-120 | 20-87 | 30 | 62 | | 16 | 4.2 | 104 | 74 | 7 | 55 | 70 | -0.040 | 88 | 79 | 77 | 44 | | | |
| | 6007 | | 55-120 | 20-87 | 35 | 62 | | 14 | 4.2 | 104 | 74 | 7 | 55 | 70 | | 88 | 79 | 75 | 44 | | | |
| | 6207 | | 55-120 | 20-87 | 35 | 72 | +0.030 | 17 | 6 | 126 | 88 | 7 | 64 | 84 | -0.012 | 105 | 95 | 92 | 51 | | | |
| | 6008 | | 65-120 | 25-82 | 40 | 68 | 0 | 15 | 5.2 | 114 | 82 | 7 | 60 | 78 | -0.040 | 96 | 86 | 80 | 54 | | | |
| | 6208 | | 65-120 | 25-82 | 40 | 80 | | 18 | 6 | 134 | 96 | 7 | 74 | 92 | | 113 | 102 | 98 | 56 | | | |
| | 6010 | | 65-120 | 25-82 | 40 | 80 | | 16 | 6 | 134 | 96 | 7 | 74 | 92 | -0.012 | 113 | - | 98 | 56 | | | |
| | 6210 | | 70-120 | 25-82 | 50 | 90 | +0.035 | 20 | 7 | 147 | 110 | 7 | 83 | 106 | -0.047 | 126 | - | 104 | 72 | | | |

Ⓜ Check for available sizes in the price list.

Ⓜ *1 No. 623, 624, 605 and 606 are not available for VV (Non-contact Sealed).

Ⓜ *2 Bearings with Rubber Seals are all made of steel.