


Bearings with Housings

Double Bearings with Long Pilot, Non-Retained, Configurable

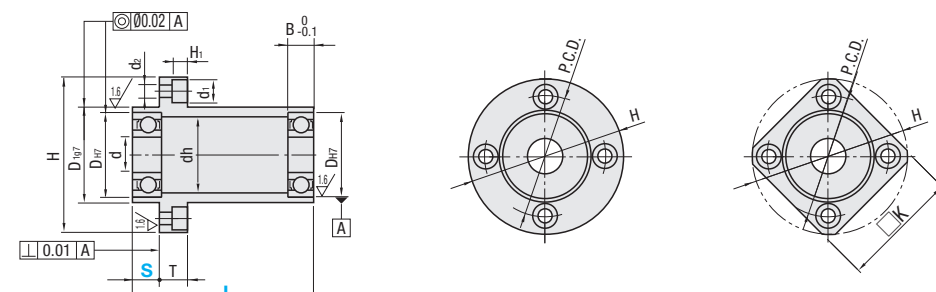


Type		Material		Surface Treatment	
Round	Square	Bearing	Housing	Bearing	Housing
BGFRLB	-	Steel	S45C Equivalent	-	Black Oxide
BGFRL	BGFSL	-	-	Electroless Nickel Plating	-
SBGFRL	-	*Stainless Steel	SUS304	-	-

* Bearings with Rubber Seals (VV and DD) are all made of steel.

RoHS 10

Round Square



Bearing Accuracy: JIS B 1514 Class 0

Type	Part Number		1mm Increment		d	DH7	Tolerance	B	H	T	dh	D1g7	Tolerance	P.C.D.	K	d1	d2	H1
	Bearing No.	Seal	L	S														
(Round) BGFRLB BGFRL SBGFRL	608	ZZ Double Shielded	51~100	5~85	8	22	+0.021 0	7	47	8	18	27	-0.007 -0.028	37	36	8	4.5	4.1
	628		51~100	10~80				8	50		20	30		40	37			
	6900		61~120	5~105	10	26	+0.021 0	6	47	8	19	27	-0.009 -0.034	37	36	8	4.5	4.1
	6000		61~120	10~100				8	52		22	32		42	39			
	6200		61~120	15~95	12	24	+0.025 0	9	56	8	24	36	-0.007 -0.028	46	42	8	4.5	4.1
	6901		61~120	10~100				6	50		21	30		40	38			
	6001		61~120	10~100	15	28	+0.021 0	8	54	10	24	34	-0.009 -0.034	44	40	9.5	5.5	5.1
	6201		71~140	15~115				10	58		26	38		48	43			
	6902		71~140	10~115	20	32	+0.025 0	7	59	11	25	35	-0.010 -0.040	47	45	11	6.6	6.1
	6002		71~140	15~115				9	62		28	38		50	46			
6202	71~140	15~115	25	35	+0.030 0	11	66	13	29	42	-0.010 -0.040	54	49	14	9	8.1		
6904	71~140	15~110				9	72		34	45		59	54					
(Square) BGFSL	6004	*DD Contact Sealed Rubber Seal	81~160	20~125	30	42	+0.030 0	12	77	13	36	50	-0.010 -0.040	64	59	14	9	8.1
	6204		81~160	20~125				14	81		40	54		68	62			
	6905		71~140	20~117	35	47	+0.030 0	9	77	13	36	50	-0.010 -0.040	64	59	14	9	8.1
	6005		81~160	20~137				12	88		41	54		72	67			
	6205		81~160	20~137	35	52	+0.030 0	15	94	13	45	60	-0.010 -0.040	78	72	14	9	8.1
	6906		71~140	20~117				9	88		41	54		72	67			
	6006		81~160	20~137	35	55	+0.030 0	13	96	13	48	62	-0.010 -0.040	80	73	14	9	8.1
6206	121~160	20~137	16	104				55	70		88	79						
6007	121~160	20~137	14	104	55	70	88	79										

Check for available sizes in the price list.

*1 Bearings with Rubber Seals are all made of steel.

Ordering Example

Part Number	Type	Bearing	Seal	L	S
BGFRLB 608	BGFRLB	608	ZZ	70	S20
BGFSL 6202	BGFSL	6202	VV	80	S30

Bearing No.	Seal	Unit Price			
		Round		Square	
		BGFRLB	BGFRL	SBGFRL	BGFSL
608	ZZ (x1.0) VV (x1.1) DD (x1.1)				
628					
6900					
6000					
6200					
6901					
6001					
6201					
6902					
6002					
6202					
6904					
6004					
6204					
6905					-
6005					-
6205					-
6906					-
6006					-
6206					-
6007				-	

The price of sealed VV and DD are the price shown in the table multiplied by 1.1.

Alterations

Part Number - L - S - (NA)
BGFRLB6000ZZ - 80 - S25 - NA

Alteration	Bearings Not Assembled
Code	NA
Spec.	Bearings are shipped unassembled to the housing.