

Deep Groove Ball Bearings

Double Shielded


Note that, for some of the types shown here, order might be unable to be received by the MISUMI Indonesia offices.

C-VALUE [Medium Accuracy] Deep Groove Ball Bearings

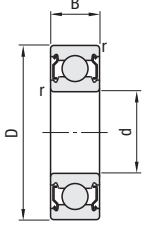
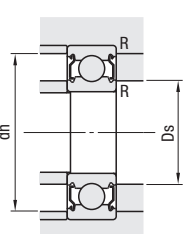
Double Shielded

Similar Products Page P.991

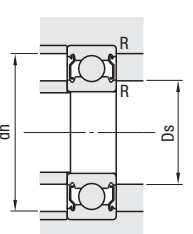
This product can be used even when heavy load, high rotation speed, and high rotational accuracy are required. See P.992 for the C-VALUE Product of this item.



B6□□□ZZ

(Installation Diagram)



Material: SUJ2
Bearing Accuracy: JIS B 1514 Class 0


RoHS 10

For details on the tolerance and allowable values of inner and outer rings, see P.2243

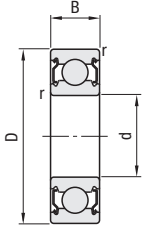
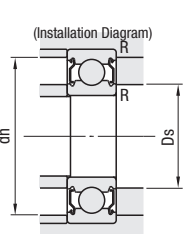
Part Number	d	D	B	r (min)	Basic Load Rating		Allowable Rotational Speed (Reference)	Relative Dimensions				Mass (g) (Reference)	Unit Price
					Cr (Dynamic) kN	Cor (Static) kN		Ds (min)	Ds (max)	dh (max)	R (max)		
B6700ZZ	10	15	4	0.2	0.85	0.43	15000	10.4	11.21	14.2	0.2	2	
B6800ZZ	10	19	5		1.72	0.84	34000		12.5	17		5	
B6900ZZ	10	22	6	0.3	2.7	1.27	32000	12	13	20	0.3	9	
B6000ZZ	10	26	8		4.55	1.96	30000		13.5	24		19	
B6200ZZ	10	30	9		5.1	2.39	24000		16	26		32	
B6300ZZ	10	35	11	0.6	8.6	3.45	21000	14	16.5	31	0.6	52	
B6701ZZ	12	18	4	0.2	0.92	0.53	13000	12.4	13.86	16.7	0.2	3	
B6801ZZ	12	21	5		1.92	1.04	32000		14.5	19		6	
B6901ZZ	12	24	6	0.3	2.89	1.46	30000	14	15	22	0.3	11	
B6001ZZ	12	28	8		5.1	2.39	27000		16	26		21	
B6201ZZ	12	32	10	0.6	6.8	3.05	22000	16	17	28	0.6	37	
B6301ZZ	12	37	12	1	10.3	4.2	19000	17	18	32	1.0	60	
B6702ZZ	15	21	4	0.2	0.93	0.58	11000	15.4	16.86	19.7	0.2	4	
B6802ZZ	15	24	5		2.07	1.25	27000		17.5	22		7	
B6902ZZ	15	28	7	0.3	4.33	2.26	26000	17			0.3	16	
B6002ZZ	15	32	9		5.9	2.83	23000		19	30		30	
B6202ZZ	15	35	11	0.6	8.2	3.75	19000	19	20	31	0.6	45	
B6302ZZ	15	42	13	1	11.4	5.45	17000	20	22.5	37	1.0	83	
B6703ZZ	17	23	4	0.2	1	0.65	9500	17.4	18.86	21.1	0.2	4	
B6803ZZ	17	26	5		2.23	1.46	25000		19.5	24		8	
B6903ZZ	17	30	7	0.3	4.59	2.56	23000	19	20	28	0.3	18	
B6003ZZ	17	35	10		6.4	3.25	20000		21	33	0.3	39	
B6203ZZ	17	40	12	0.6	10.1	4.75	17000	21	23	36	0.6	66	
B6303ZZ	17	47	14	1	14.4	6.5	15000	22	25.5	42	1.0	113	
B6704ZZ	20	27	4	0.2	1.04	0.72	8500	20.4	22.36	25.5	0.2	6	
B6804ZZ	20	32	7		4	2.47	20000		22.5	30		19	
B6904ZZ	20	37	9	0.3	6.4	3.7	19000	22	24	35	0.3	36	
B6004ZZ	20	42	12	0.6	10	5.05	17000	24	26	38	0.6	69	
B6204ZZ	20	47	14	1.0	13.6	6.65	14000	25		42		106	
B6304ZZ	20	52	15	1.1	16.9	7.9	13000	26.5	28	45.5	1.0	145	
B6805ZZ	25	37	7		4.3	2.95	18000		35			22	
B6905ZZ	25	42	9	0.3	7.05	4.55	16000	27	29	40	0.3	42	
B6005ZZ	25	47	12	0.6	10.7	7.85	15000	29	30.5	43	0.6	80	
B6205ZZ	25	52	15	1.0	14.9	7.85	12000	30	32	47		128	
B6305ZZ	25	62	17	1.1	23.8	11.5	11000	31.5	36	55.5	1.0	235	
B6806ZZ	30	42	7		4.54	3.42	15000		33	40		26	
B6906ZZ	30	47	9	0.3	7.25	5	14000	32	34	45	0.3	48	
B6006ZZ	30	55	13		13.5	8	12000		37	50		116	
B6206ZZ	30	62	16	1.0	20.7	11.3	10000	35	39	57	1.0	199	
B6306ZZ	30	72	19	1.1	30.5	16.2	9200	36.5	42.5	65.5		345	
B6807ZZ	35	47	7	0.3	4.74	3.82	13000	37	38	45	0.3	29	
B6907ZZ	35	55	10	0.6	10.9	7.75	12000	39	40	51	0.6	74	
B6007ZZ	35	62	14	1.0	17	10.3	11000	40	42	57		155	
B6207ZZ	35	72	17	1.1	27.5	15.3	9000	41.5	45	65.5	1.0	288	
B6307ZZ	35	80	21	1.5	35.5	19.1	8400	43	47	72	1.5	469	
B6808ZZ	40	52	7	0.3	4.93	4.18	12000	42	43	50	0.3	33	
B6908ZZ	40	62	12	0.6	13.7	9.92	11000	44	45	58	0.6	110	
B6008ZZ	40	68	15	1.0	17.8	11.5	9500	45	47	63		190	
B6208ZZ	40	80	18	1.1	31	17.8	8200	46.5	51	73.5	1.0	366	
B6308ZZ	40	90	23	1.5	45.4	25	7500	48	53	82	1.5	636	
B6809ZZ	45	58	7	0.3	6.21	5.38	11000	47	47.5	56	0.3	38	
B6909ZZ	45	68	12	0.6	14.1	10.9	9500	49	50	64	0.6	126	
B6009ZZ	45	75	16	1	21.2	14.4	8800	50	53.5	70	1.0	241	
B6209ZZ	45	85	19	1.1	33	20.3	7500	51.5	55.5	78.5		420	
B6309ZZ	45	100	25	1.5	56	31.5	6700	53	61.5	92	1.5	829	
B6810ZZ	50	65	7	0.3	6.4	5.83	9500	52	52.5	63	0.3	50	
B6910ZZ	50	72	12	0.6	14.5	11.7	9000	54	55	68	0.6	135	
B6010ZZ	50	80	16	1.0	22	15.8	8300	55.0	57.5	75.0		261	
B6210ZZ	50	90	20	1.1	39	24.2	7000	56.5	60.0	83.5	1.0	454	
B6310ZZ	50	110	27	2	68	38.5	6000	59	68	101	2	1006	

kgf=Nx0.101972

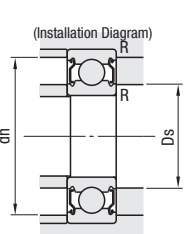
Similar Products Comparison Points | Products designed for light load, intermediate and low rotation speed, and medium rotational accuracy applications. See P.987 for the description of C-VALUE Products.



C-B6□□□ZZ

(Installation Diagram)



Material: SUJ2
Bearing Accuracy: JIS B 1514 Class 0

RoHS 10

For details on the tolerance and allowable values of inner and outer rings, see P.2243

Part Number	d	D	B	r (min)	C-VALUE Products Check Point ①		Allowable Rotational Speed (Reference)	Relative Dimensions				Mass (g) (Reference)	Unit Price
					Cr (Dynamic) kN	Cor (Static) kN		Ds (min)	Ds (max)	dh (max)	R (max)		
C-B6700ZZ	10	15	4	0.2	0.6	0.3	15000	10.4	11.21	14.2	0.2	2	
C-B6800ZZ	10	19	5		1.28	0.65	34000		12.5	17		5	
C-B6900ZZ	10	22	6	0.3	1.89	0.89	32000	12	13	20	0.3	9	
C-B6000ZZ	10	26	8		3.19	1.37	30000		13.5	24		19	
C-B6200ZZ	10	30	9		3.57	1.67	24000		16	26		32	
C-B6300ZZ	10	35	11	0.6	5.74	2.45	21000	14	16.5	31	0.6	52	
C-B6701ZZ	12	18	4	0.2	0.64	0.37	13000	12.4	13.86	16.7	0.2	3	
C-B6801ZZ	12	21	5		1.34	0.73	32000		14.5	19		6	
C-B6901ZZ	12	24	6	0.3	2.02	1.02	30000	14	15	22	0.3	11	
C-B6001ZZ	12	28	8		3.57	1.67	27000		16	26		21	
C-B6201ZZ	12	32	10	0.6	4.27	1.93	22000	16	17	28	0.6	37	
C-B6301ZZ	12	37	12	1	6.79	2.94	19000	17	18	32	1	60	
C-B6702ZZ	15	21	4	0.2	0.66	0.41	11000	15.4	16.86	19.7	0.2	4	
C-B6802ZZ	15	24	5		1.46	0.88	27000		17.5	22		7	
C-B6902ZZ	15	28	7	0.3	2.56	1.4	26000	17		26	0.3	16	
C-B6002ZZ	15	32	9		3.92	1.98	23000		19	30		30	
C-B6202ZZ	15	35	11	0.6	5.43	2.52	19000	19	20	31	0.6	45	
C-B6302ZZ	15	42	13	1	7.98	3.82	17000	20	22.5	37	1	83	
C-B6703ZZ	17	23	4	0.2	0.7	0.46	9500	17.4	18.86	21.1	0.2	4	
C-B6803ZZ	17	26	5		1.56	1.02	25000		19.5	24		8	
C-B6903ZZ	17	30	7	0.3	3.26	1.81	23000	19	20	28	0.3	18	
C-B6003ZZ	17	35	10		4.76	2.35	20000		21	33		39	
C-B6203ZZ	17	40	12	0.6	6.72	3.22	17000	21	23	36	0.6	66	
C-B6303ZZ	17	47	14	1	9.45	4.59	15000	22	25.5	42	1	113	
C-B6704ZZ	20	27	4	0.2	0.73	0.51	8500	20.4	22.36	25.5	0.2	6	
C-B6804ZZ	20	32	7		2.8	1.73	20000		22.5	30		19	
C-B6904ZZ	20	37	9	0.3	4.48	2.59	19000	22	24	35	0.3	36	
C-B6004ZZ	20	42	12	0.6	6.58	3.54	17000	24	26	38	0.6	69	
C-B6204ZZ	20	47	14	1	8.96	4.66	14000	25		42		106	
C-B6304ZZ	20	52	15	1.1	11.13	5.53	13000	26.5	28	45.5	1	145	
C-B6805ZZ	25	37	7		3.01	2.07	18000		35			22	
C-B6905ZZ	25	42	9	0.3	4.94	3.19	16000	27	29	40	0.3	42	
C-B6005ZZ	25	47	12	0.6	7.07	4.1	15000	29	30.5	43	0.6	80	
C-B6205ZZ	25	52	15	1	9.8	5.5	12000	30	32	47		128	
C-B6305ZZ	25	62	17	1.1	14.84	7.63	11000	31.5	36	55.5	1	235	
C-B6006ZZ	30	55	13		9.24	5.81	12000		37	50		116	
C-B6206ZZ	30	62	16	1	13.65	7.91	10000	35	39	57	1	199	
C-B6808ZZ	40	52	7	0.3	3.57	3.08	12000	42	43	50	0.3	33	

kgf=Nx0.101972